

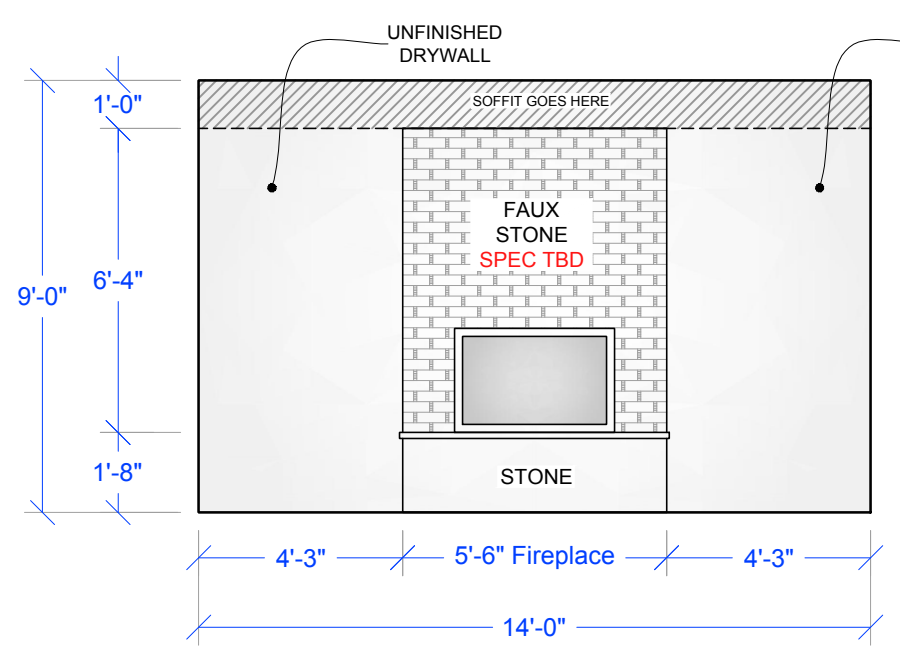
1 PLAN
SCALE: 1/2" = 1'-0"

LEGEND	
SYMBOL	DESCRIPTION
	WALL OUTLET
	LIGHT SWITCH

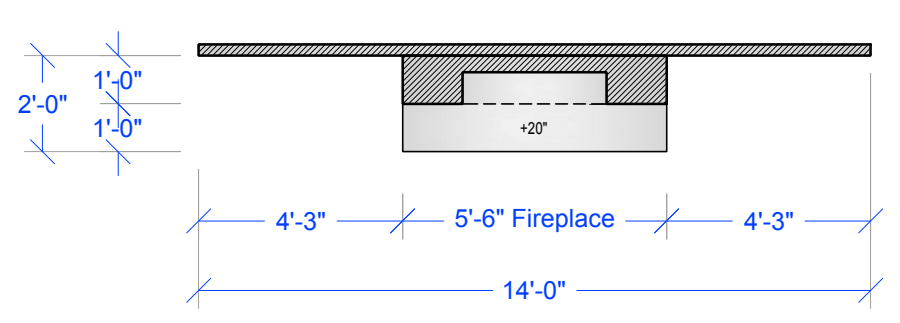
RELEASED
07-26-2024

RELEASED
07-26-2024

NOTE: FIREPLACE DETAILS TO FOLLOW

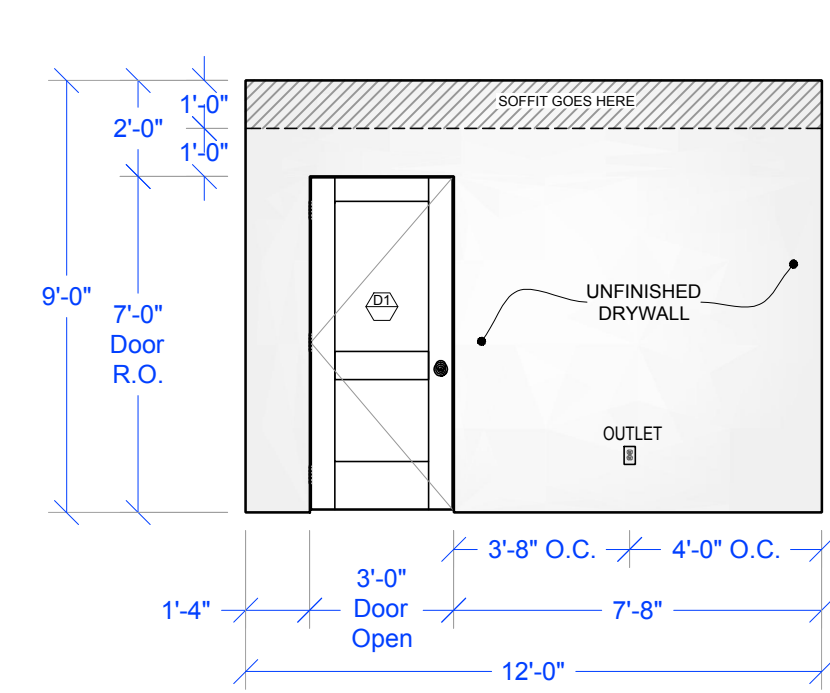


A ELEVATION
SCALE: 1/4"= 1'-0"

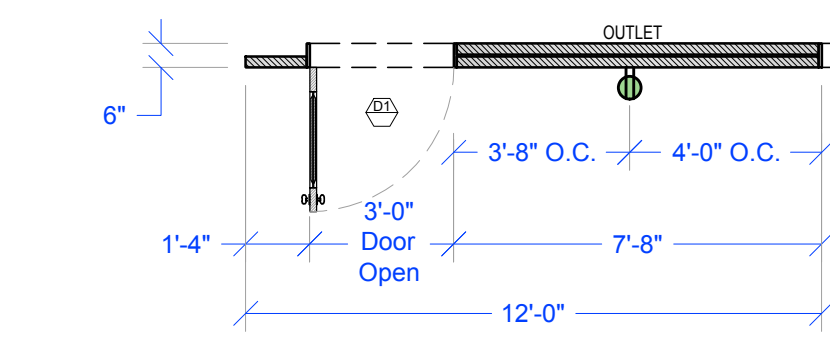


A-2 PLAN
SCALE: 1/4"= 1'-0"

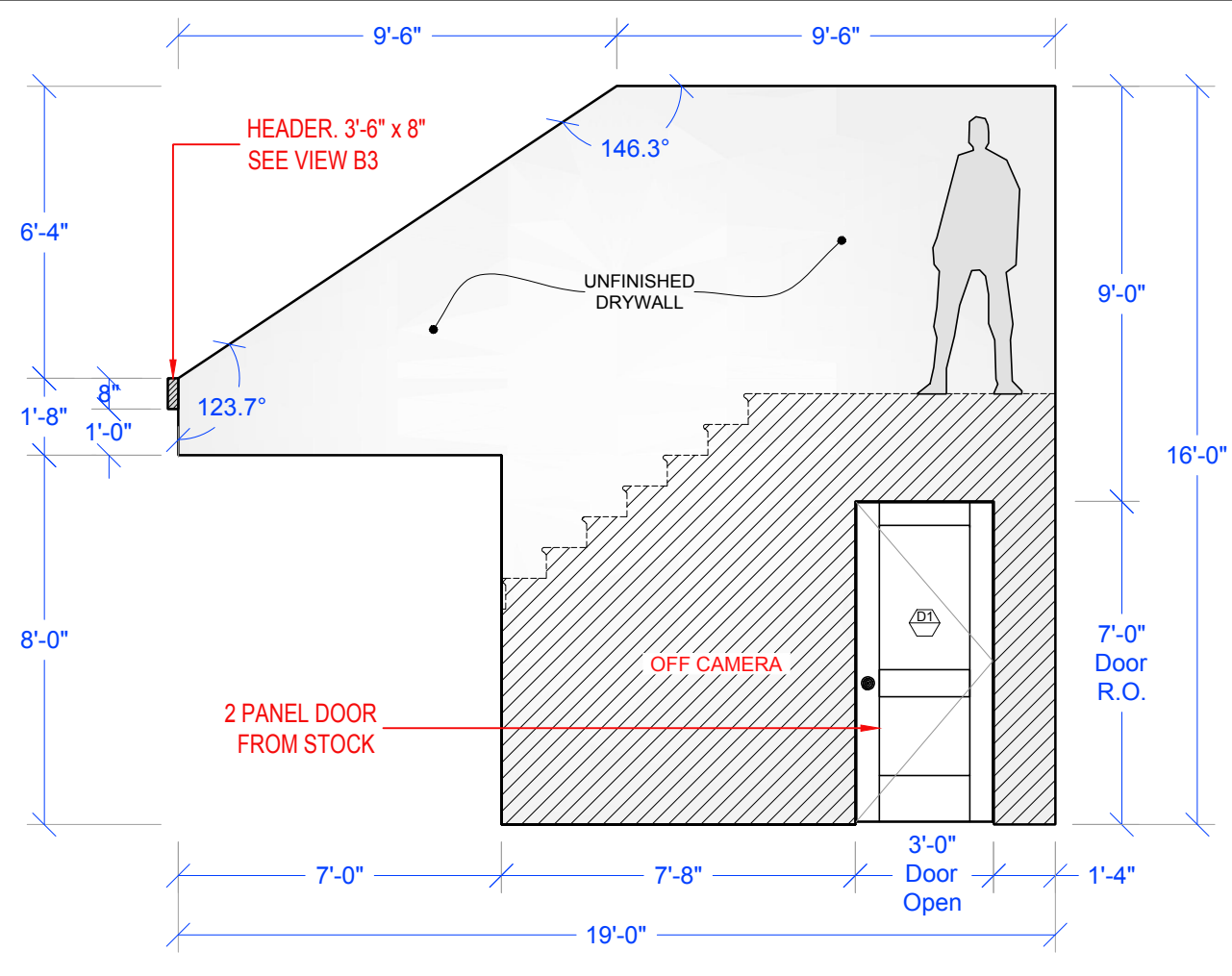
NOTE: 2 PANEL DOOR FROM STOCK



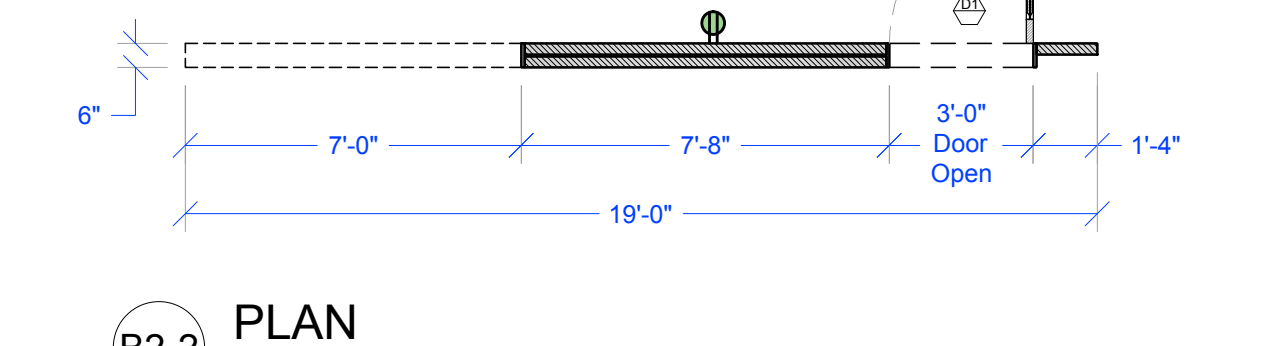
B1 ELEVATION
SCALE: 1/4"= 1'-0"



B1-2 PLAN
SCALE: 1/4"= 1'-0"



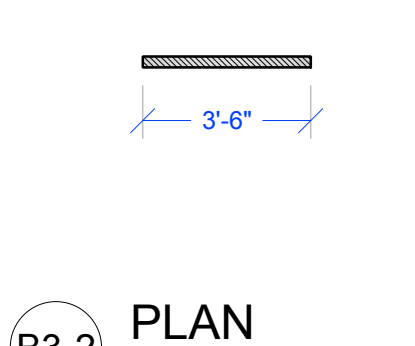
B2 ELEVATION
SCALE: 1/4"= 1'-0"



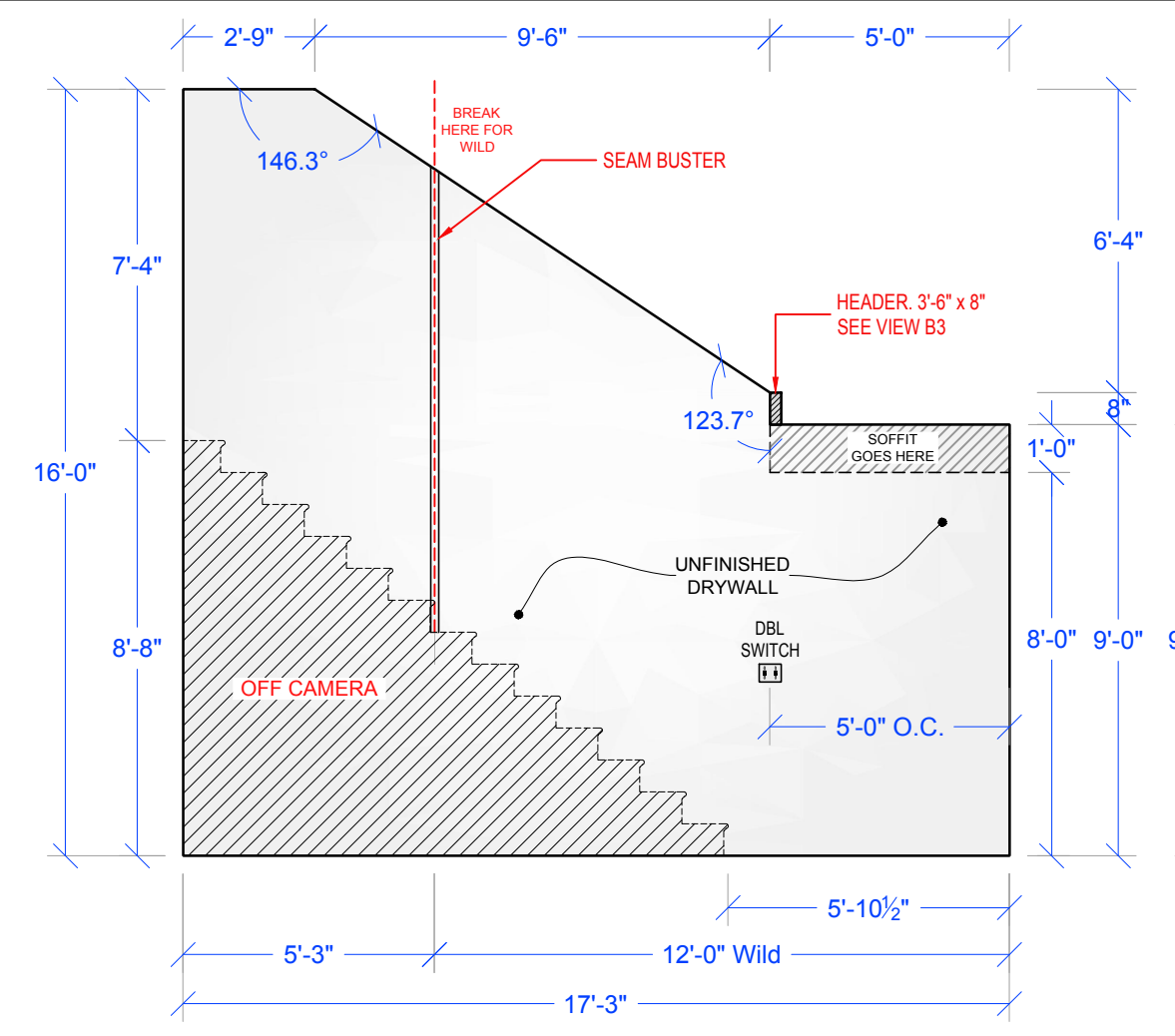
B2-2 PLAN
SCALE: 1/4"= 1'-0"



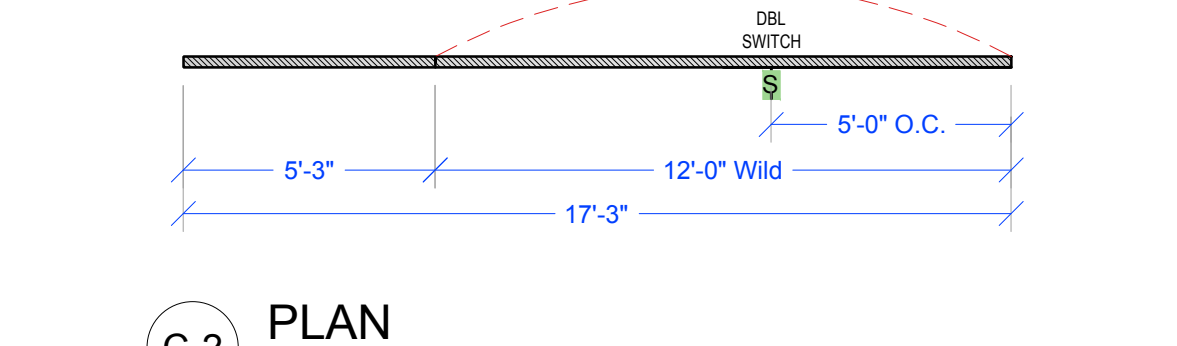
B3 ELEVATION
SCALE: 1/4"= 1'-0"



B3-2 PLAN
SCALE: 1/4"= 1'-0"

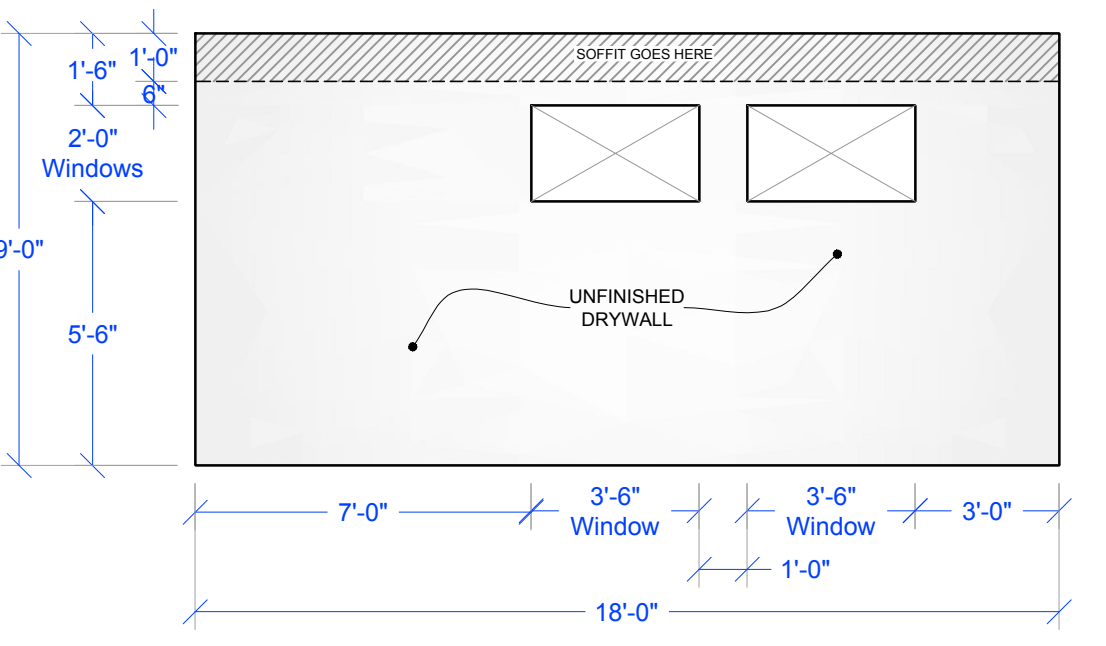


C ELEVATION
SCALE: 1/4"= 1'-0"

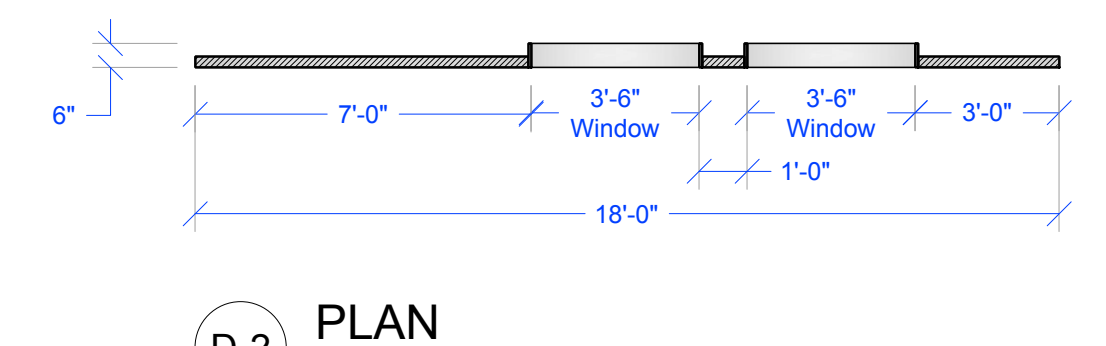


C-2 PLAN
SCALE: 1/4"= 1'-0"

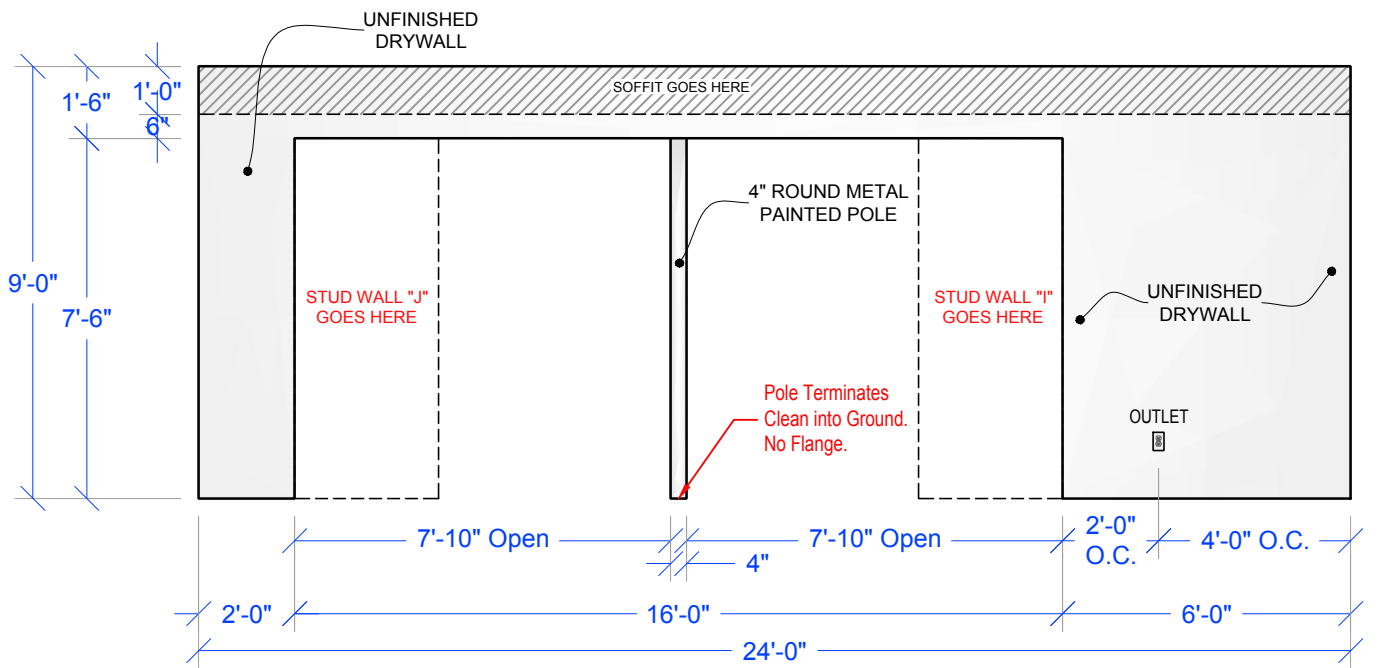
NOTE: WINDOW DETAILS TO FOLLOW



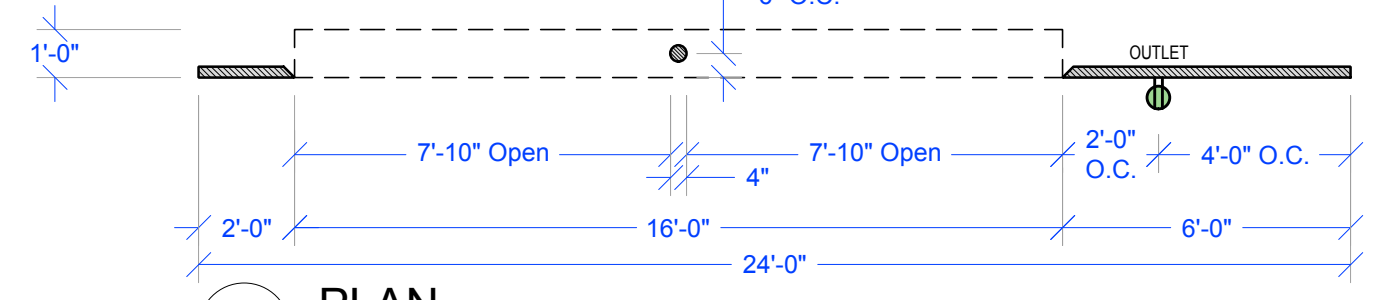
D ELEVATION
SCALE: 1/4"= 1'-0"



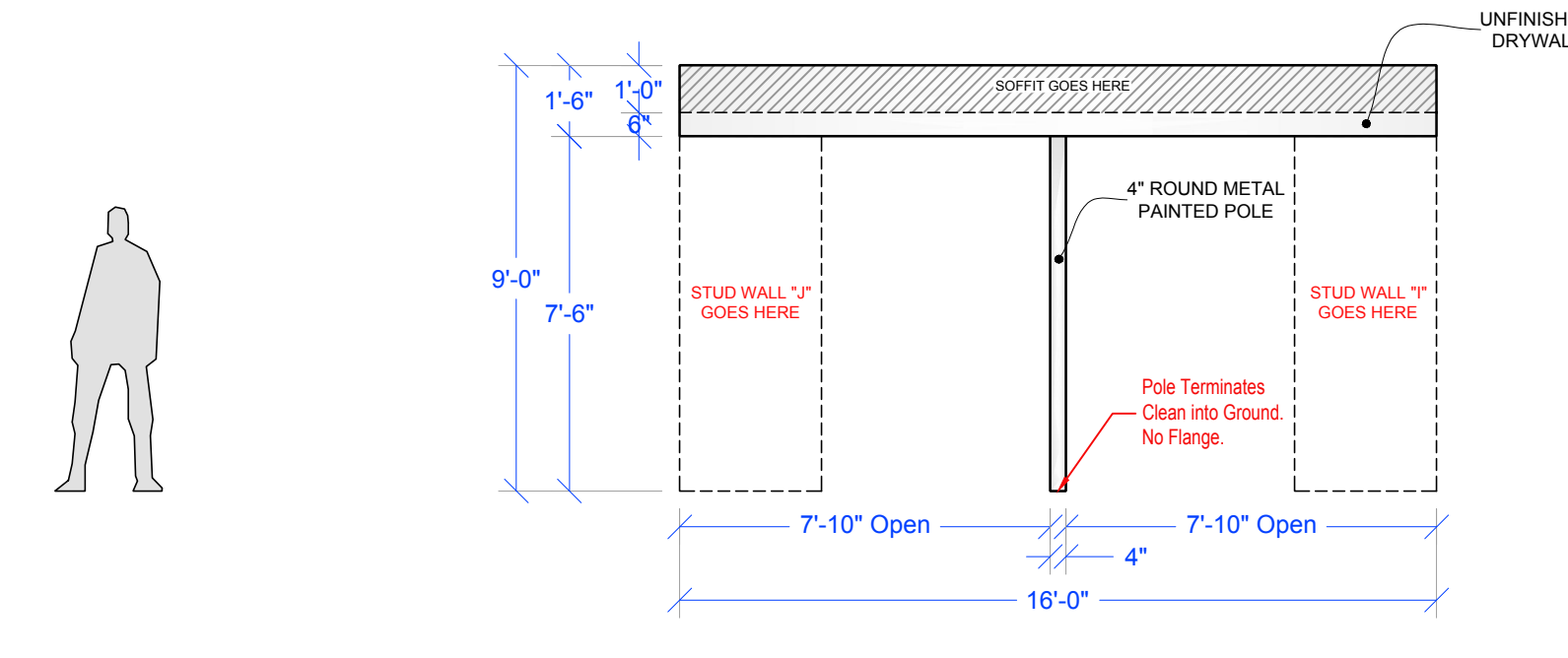
D-2 PLAN
SCALE: 1/4"= 1'-0"



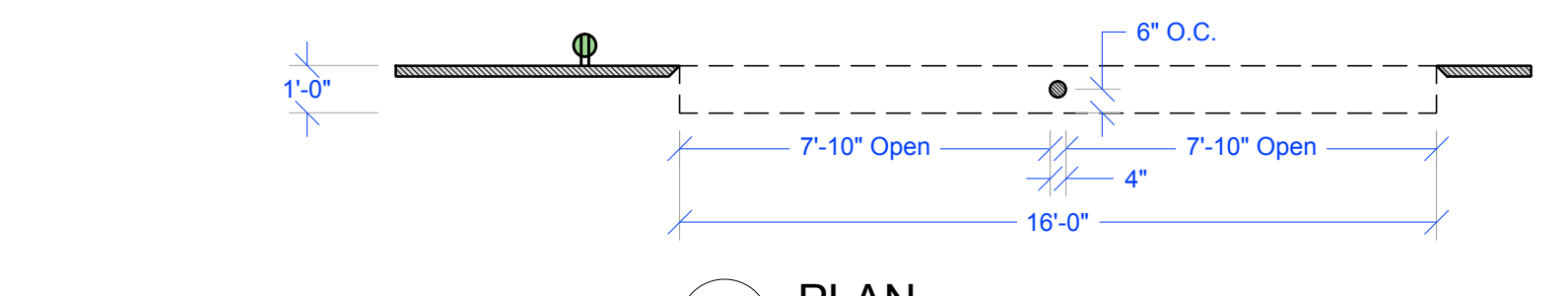
E1 ELEVATION
SCALE: 1/4"= 1'-0"



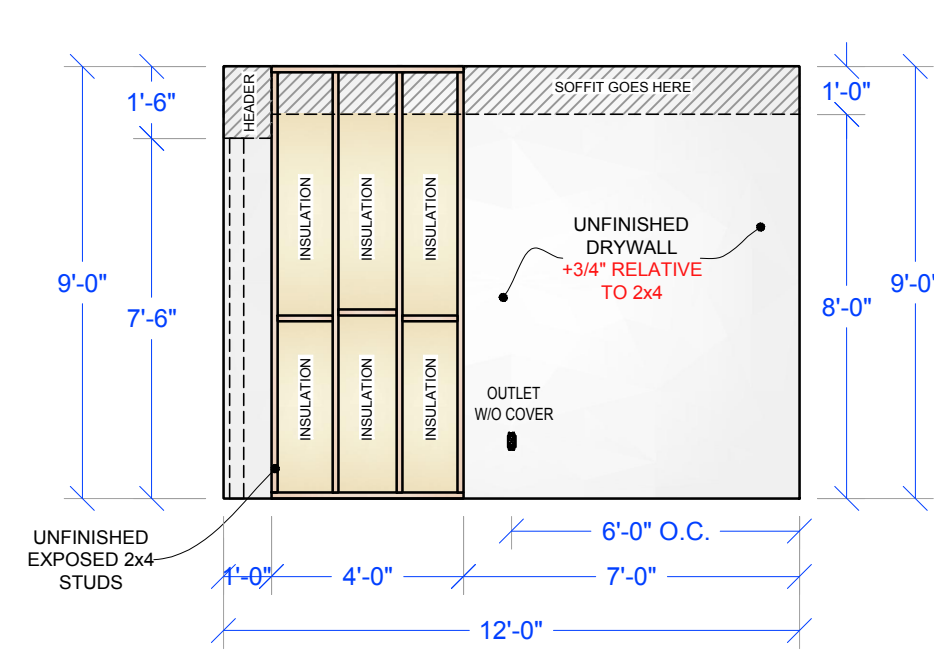
E1-2 PLAN
SCALE: 1/4"= 1'-0"



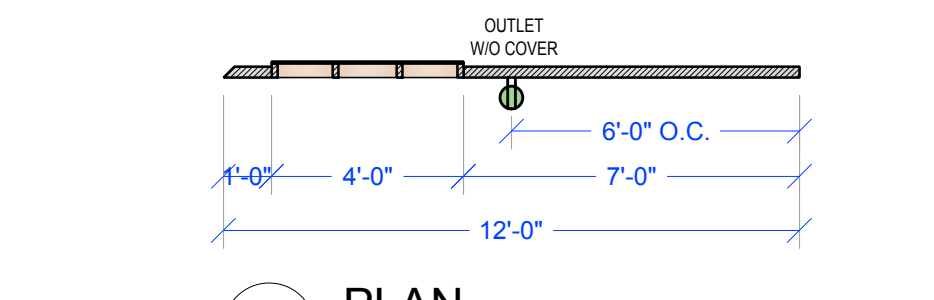
E2 ELEVATION
SCALE: 1/4"= 1'-0"



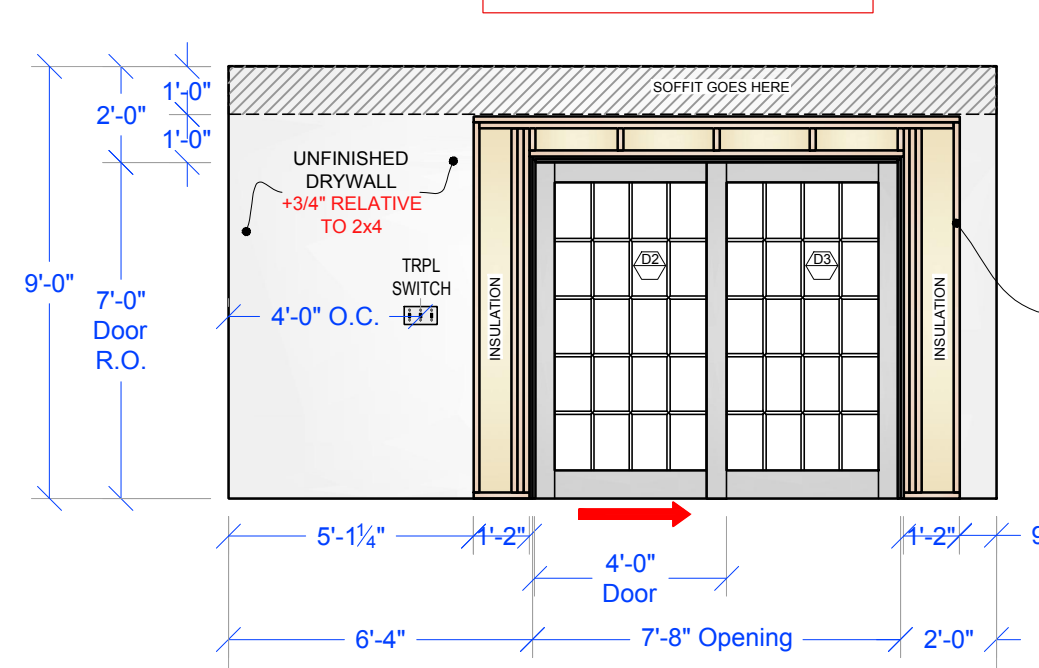
E2-2 PLAN
SCALE: 1/4"= 1'-0"



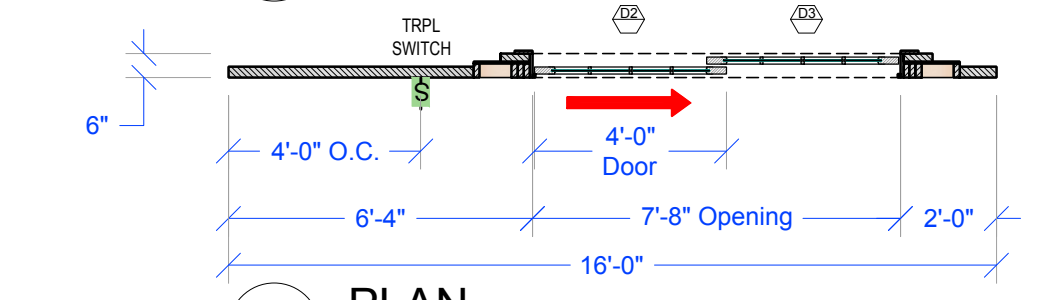
F ELEVATION
SCALE: 1/4"= 1'-0"



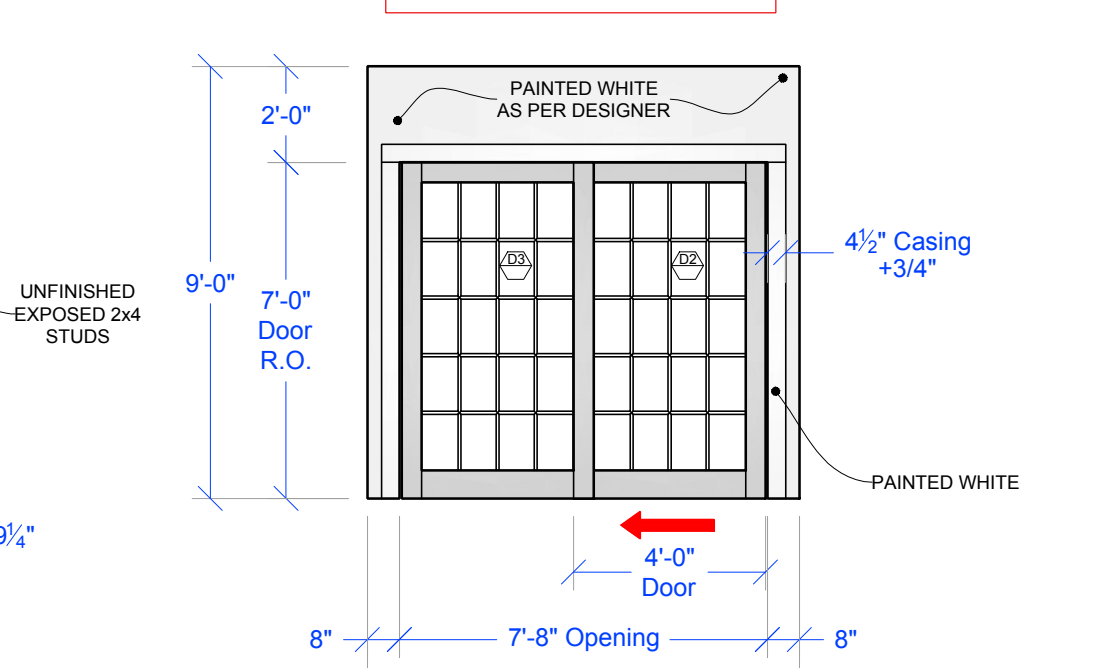
F-2 PLAN
SCALE: 1/4"= 1'-0"



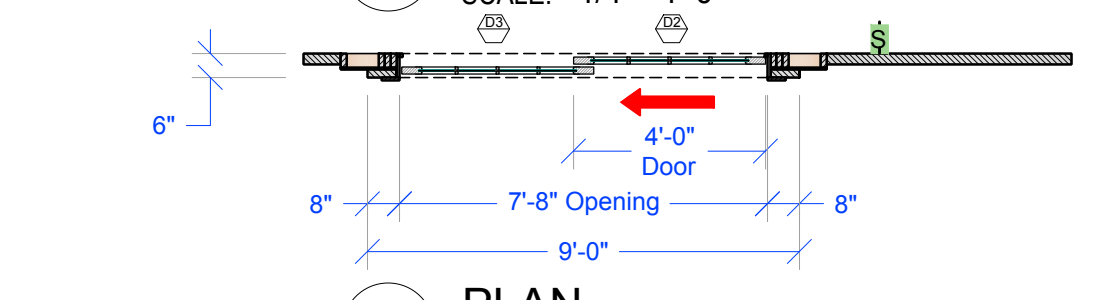
G1 ELEVATION
SCALE: 1/4"= 1'-0"



G1-2 PLAN
SCALE: 1/4"= 1'-0"

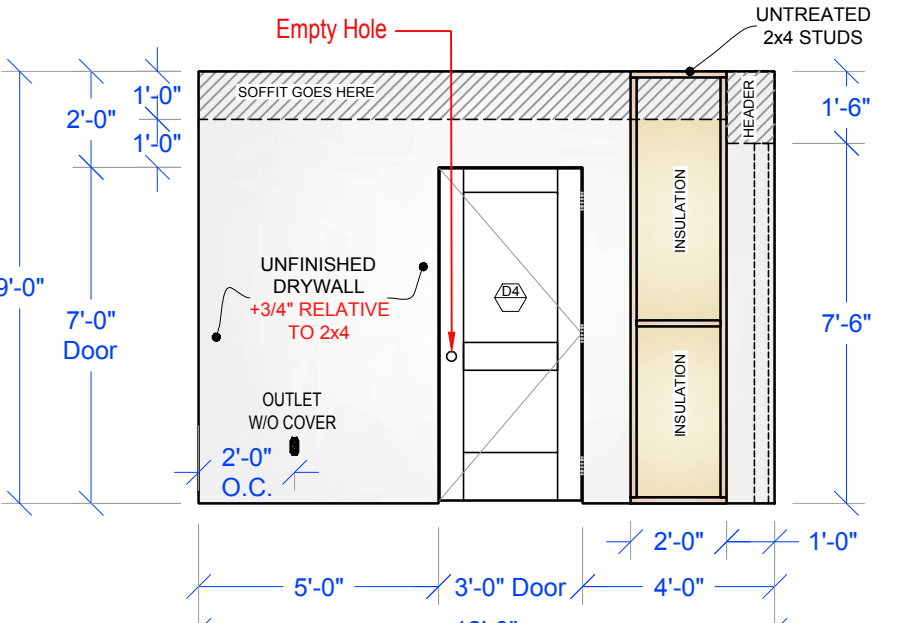


G2 ELEVATION
SCALE: 1/4"= 1'-0"

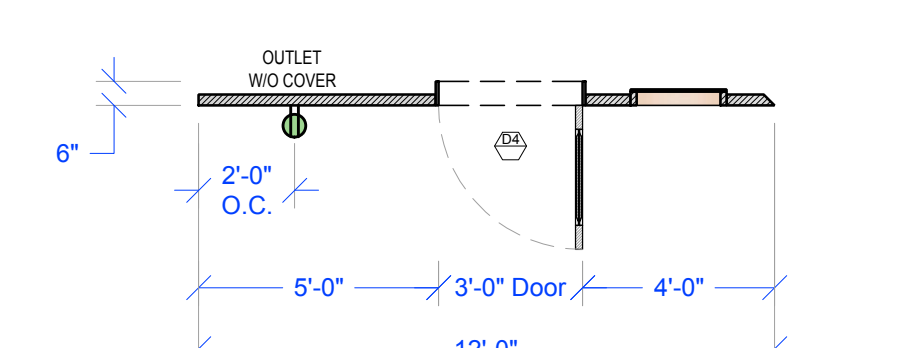


G2-2 PLAN
SCALE: 1/4"= 1'-0"

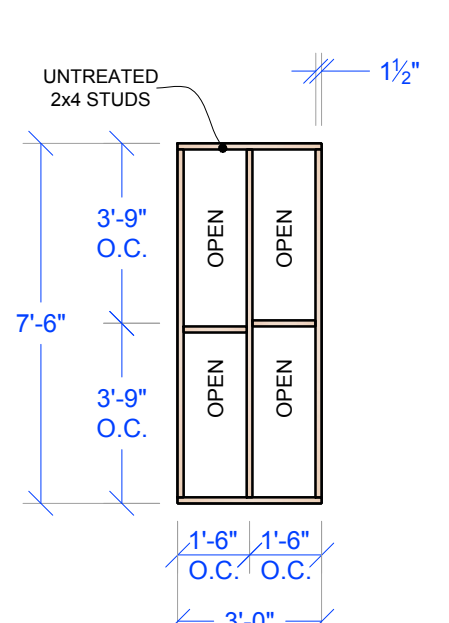
NOTE: 2 PANEL DOOR FROM STOCK



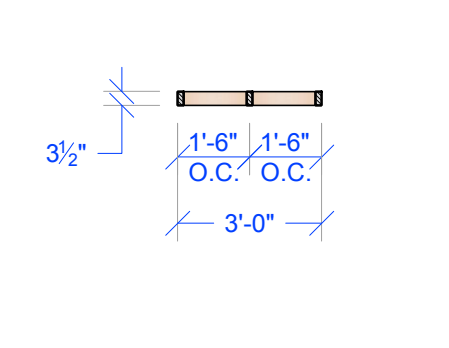
H ELEVATION
SCALE: 1/4"= 1'-0"



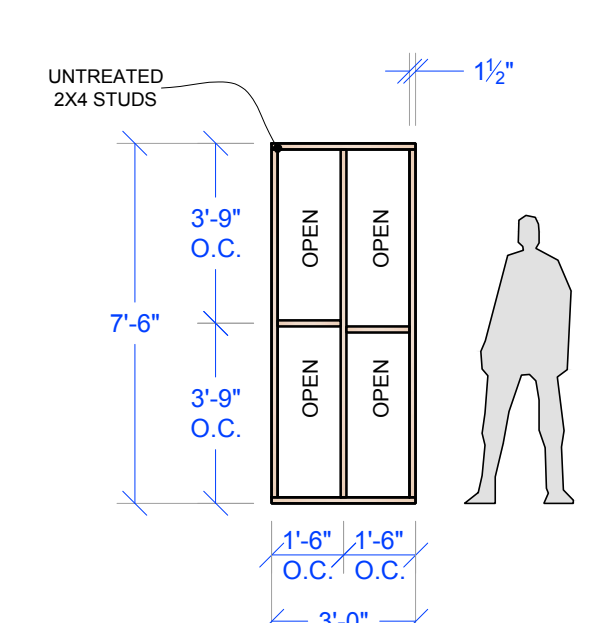
H-2 PLAN
SCALE: 1/4"= 1'-0"



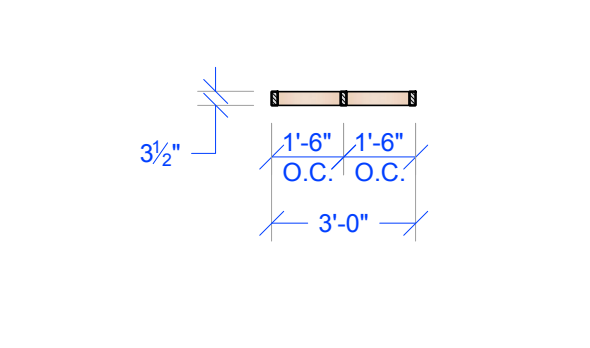
I ELEVATION
SCALE: 1/4"= 1'-0"



I-2 PLAN
SCALE: 1/4"= 1'-0"



J ELEVATION
SCALE: 1/4"= 1'-0"



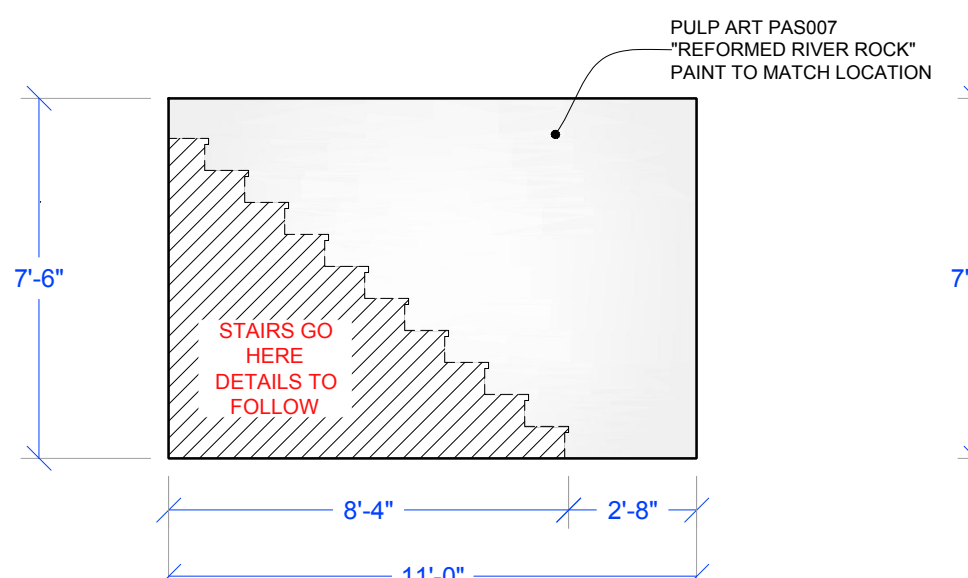
J-2 PLAN
SCALE: 1/4"= 1'-0"



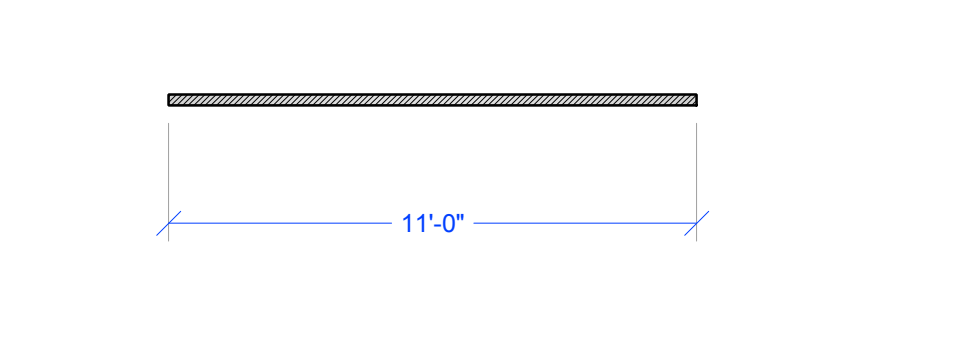
REFERENCE IMAGE



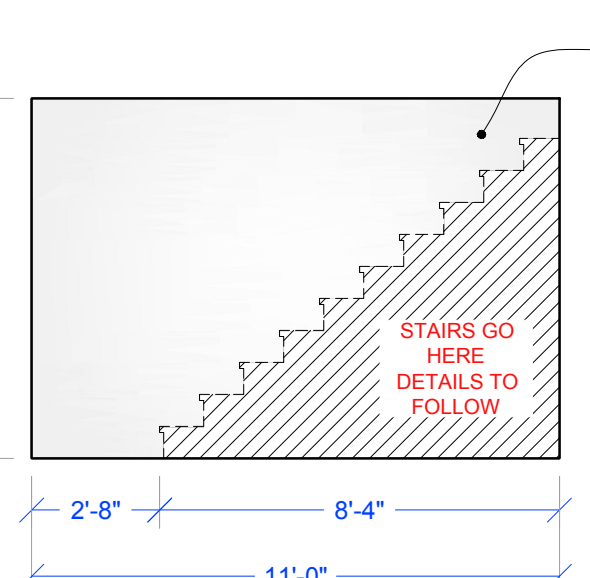
REFERENCE IMAGE



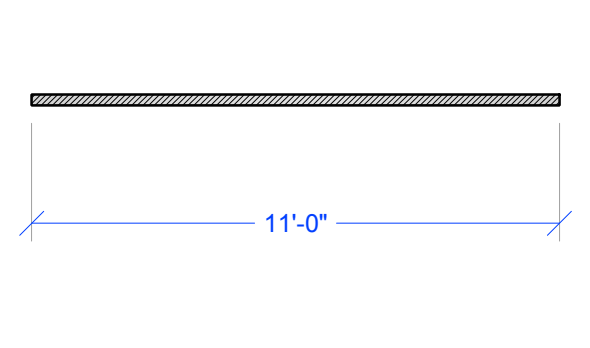
K ELEVATION
SCALE: 1/4"= 1'-0"



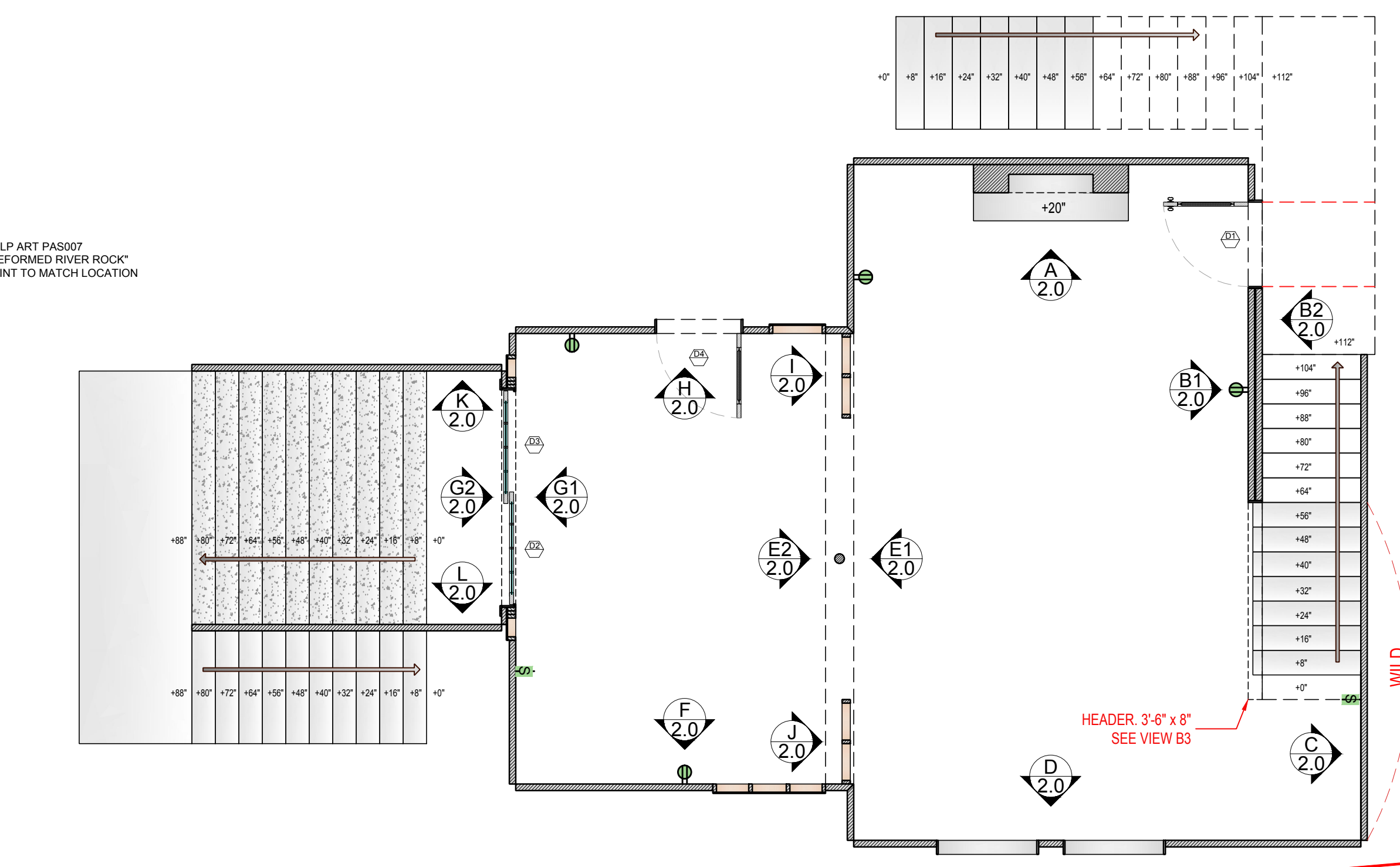
K-2 PLAN
SCALE: 1/4"= 1'-0"



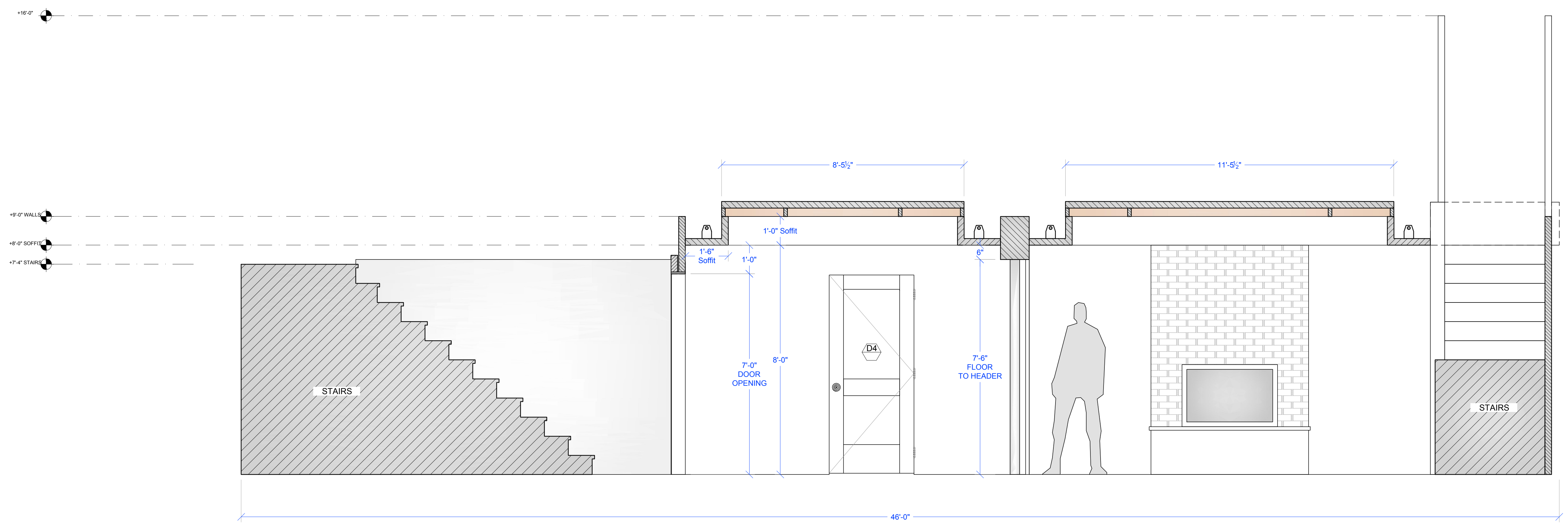
L ELEVATION
SCALE: 1/4"= 1'-0"



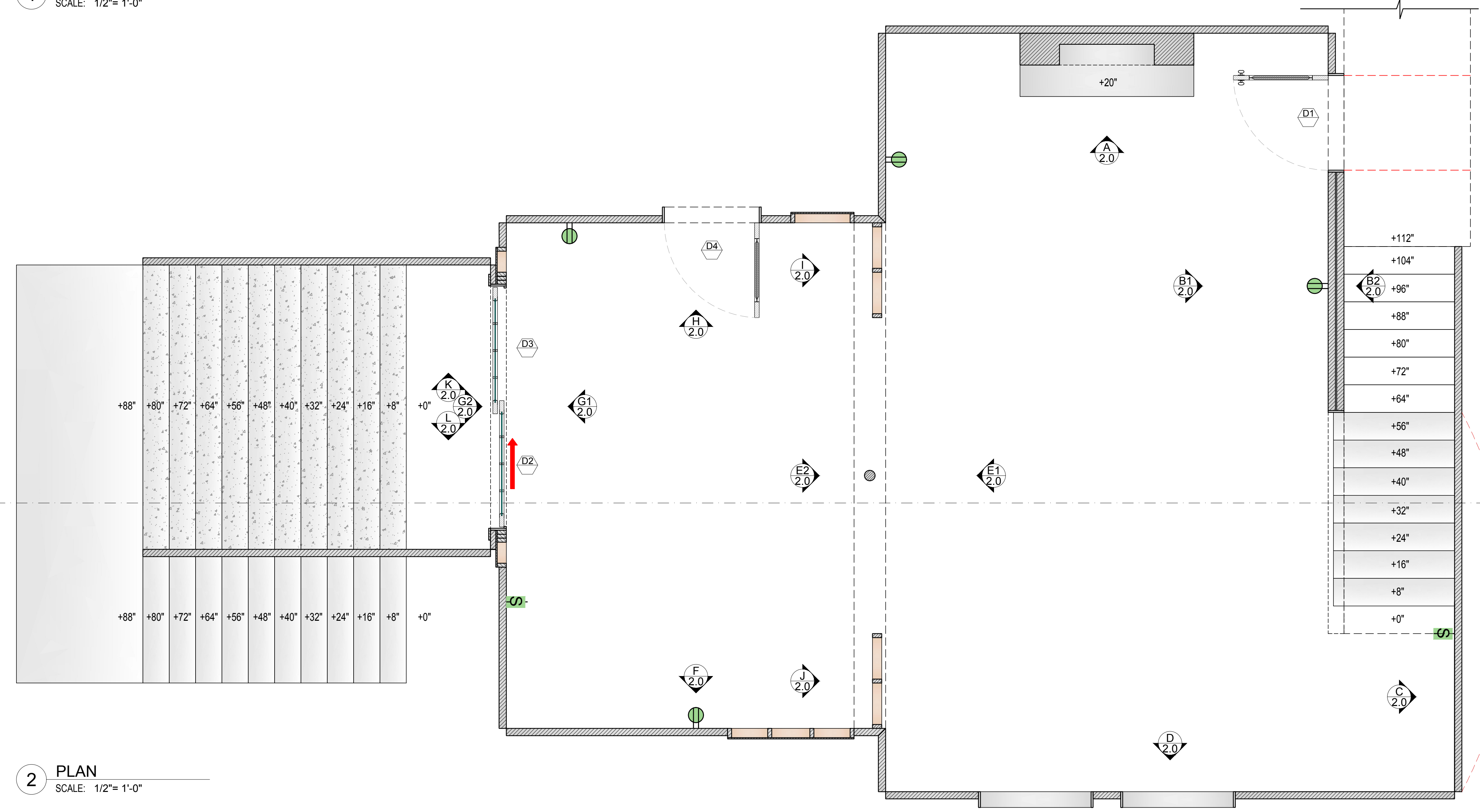
L-2 PLAN
SCALE: 1/4"= 1'-0"



1 SET PLAN
SCALE: 1/4"= 1'-0"



1 SECTION
SCALE: 1/2" = 1'-0"



2 PLAN
SCALE: 1/2" = 1'-0"

RELEASED
07-26-2024

