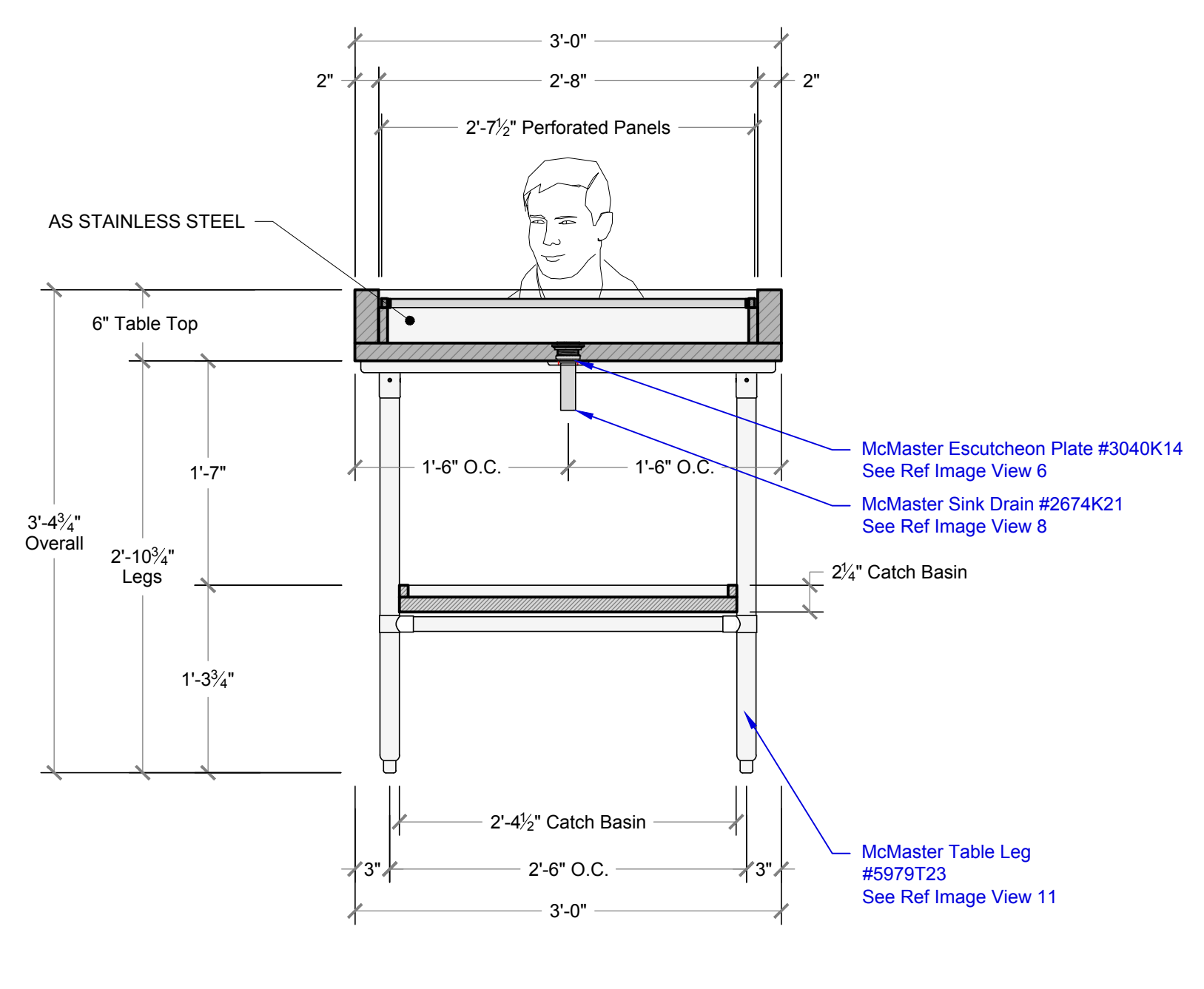
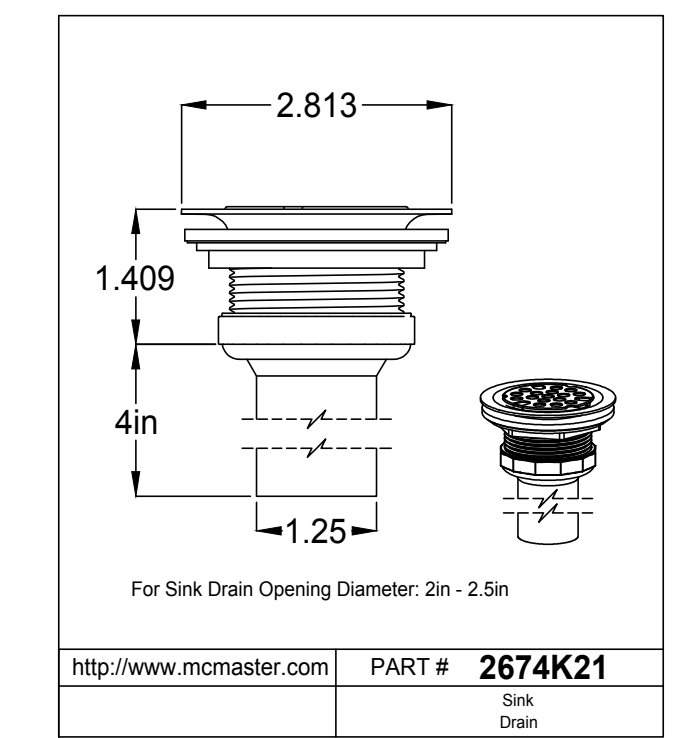


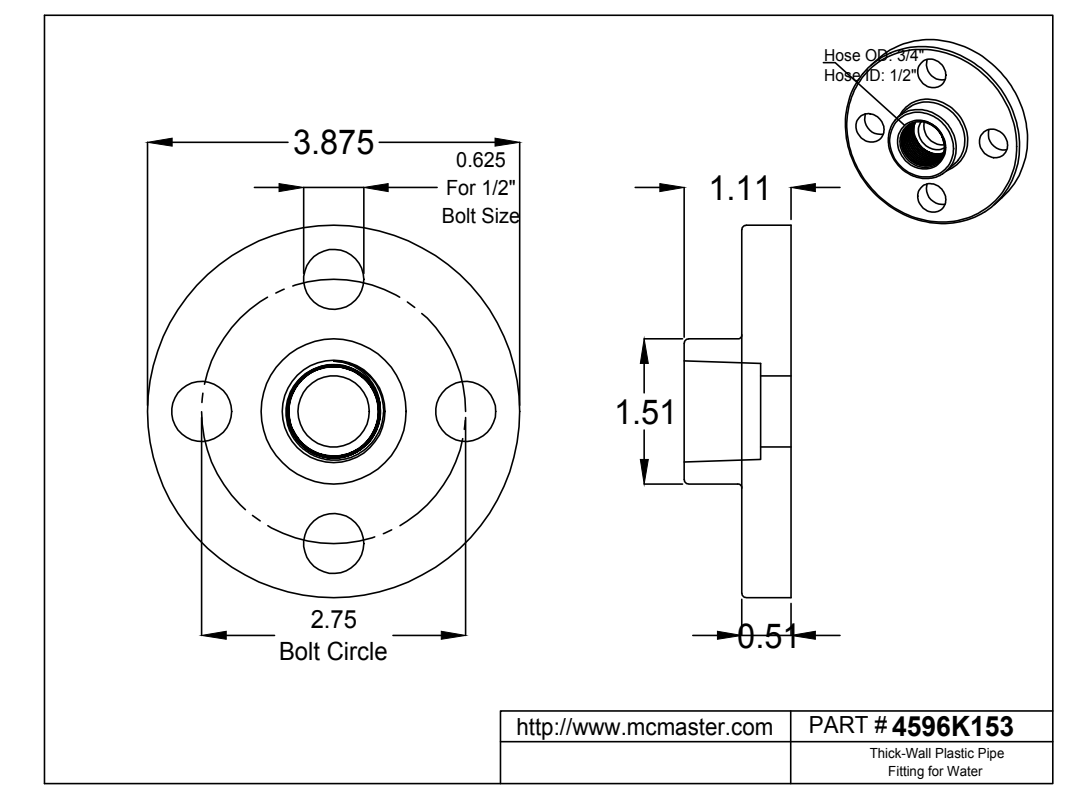
1 AUTOPSY TABLE-SECTION A
SCALE: 1"=1'-0"



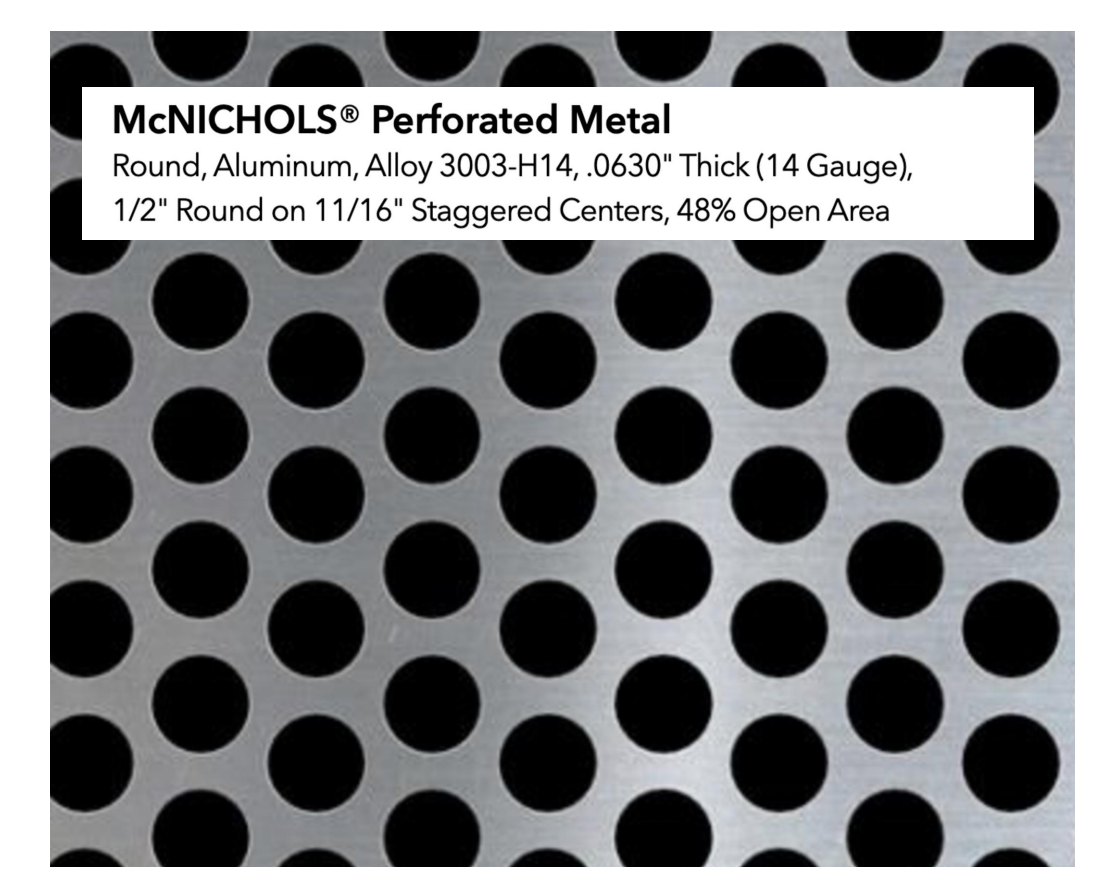
3 AUTOPSY TABLE-SECTION B
SCALE: 1"=1'-0"



8 REFERENCE - SINK DRAIN
SCALE: 6"=1'-0"



9 REFERENCE - FLANGE
SCALE: 6"=1'-0"



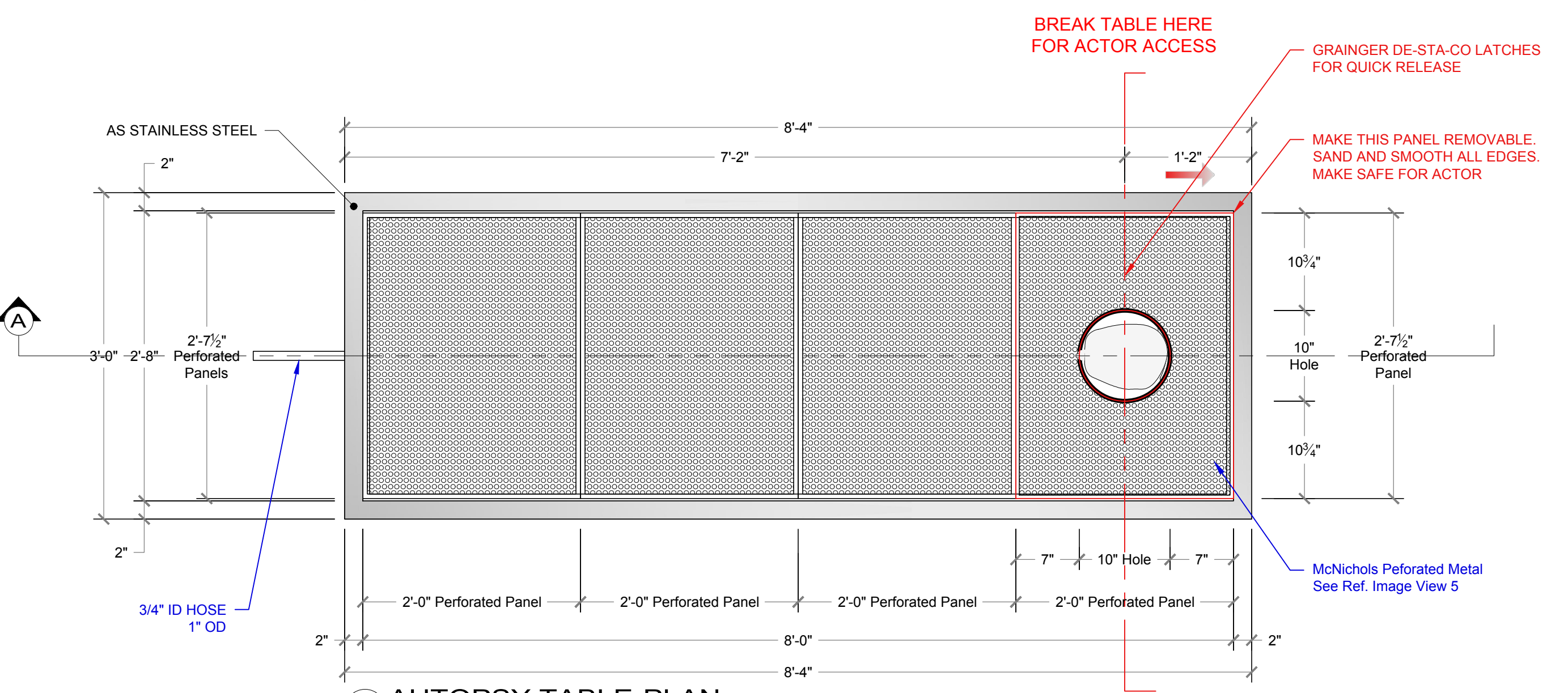
5 REFERENCE - PERFORATED SHEET
SCALE: FULL SCALE



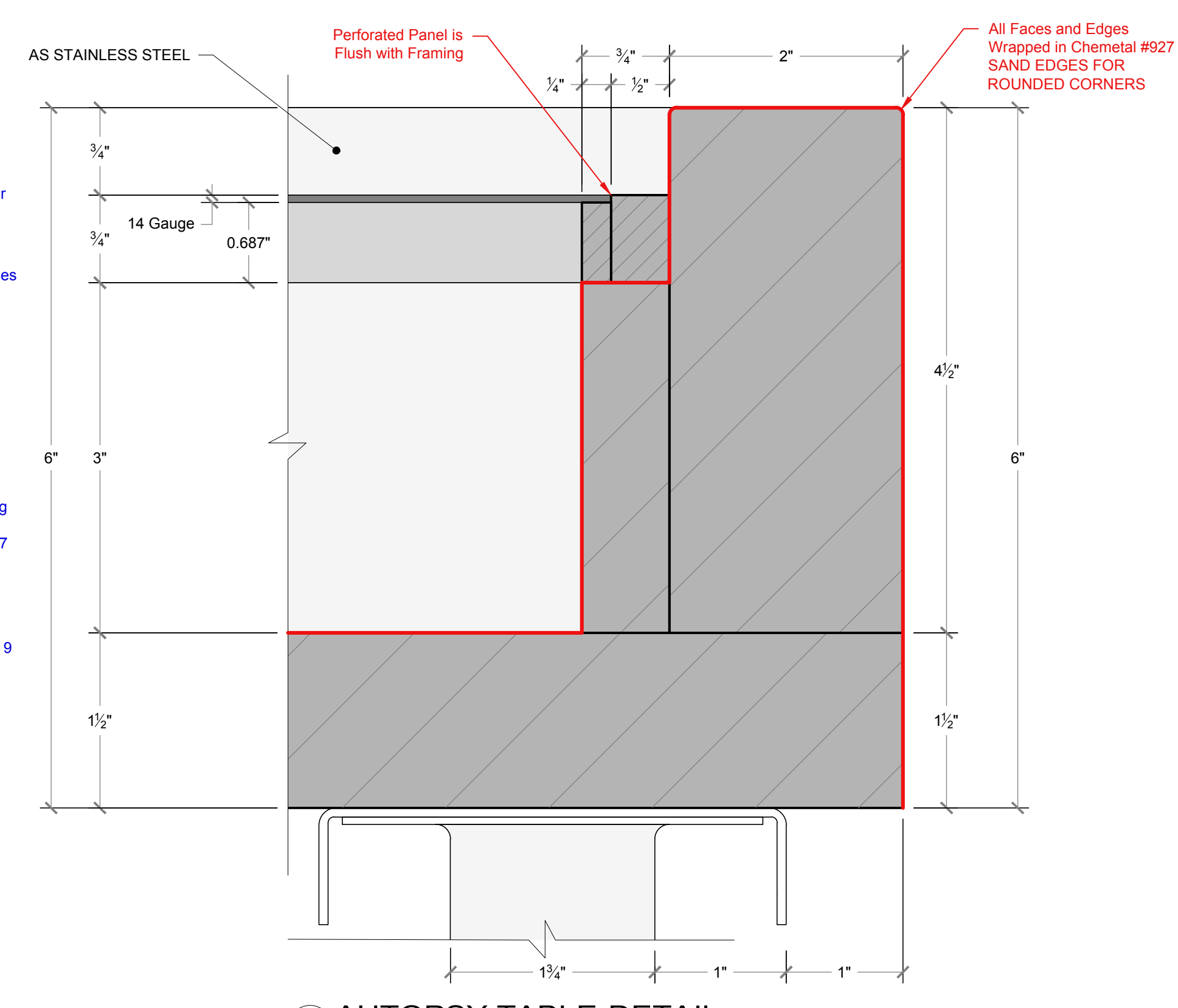
10 REFERENCE - DRAIN COVER
SCALE: 6"=1'-0"



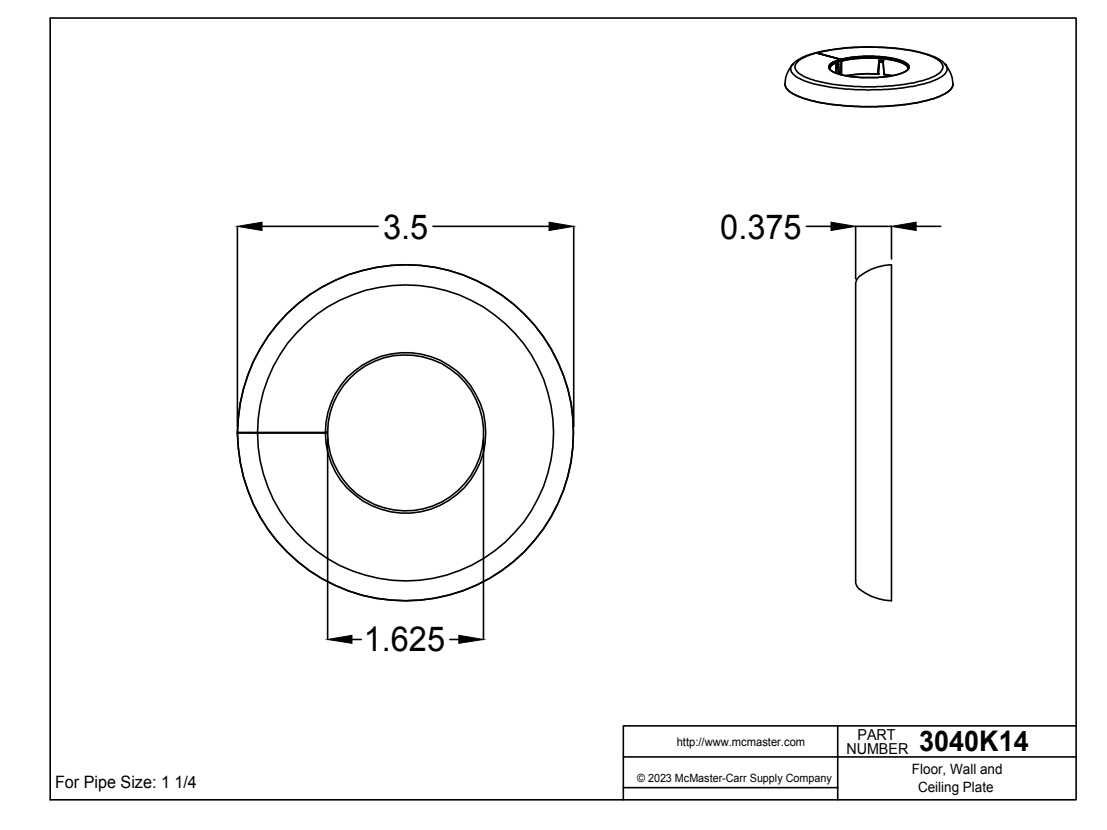
12 REFERENCE - LATCH
SCALE: NOT TO SCALE



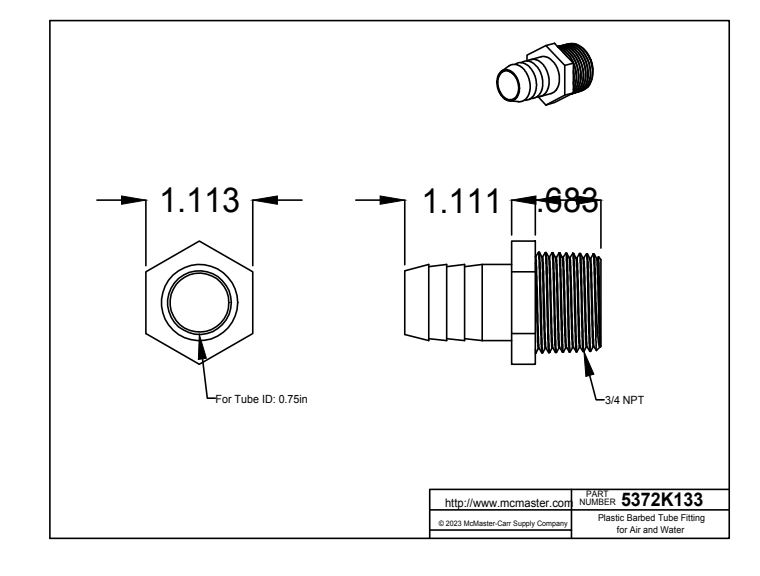
2 AUTOPSY TABLE-PLAN
SCALE: 1"=1'-0"



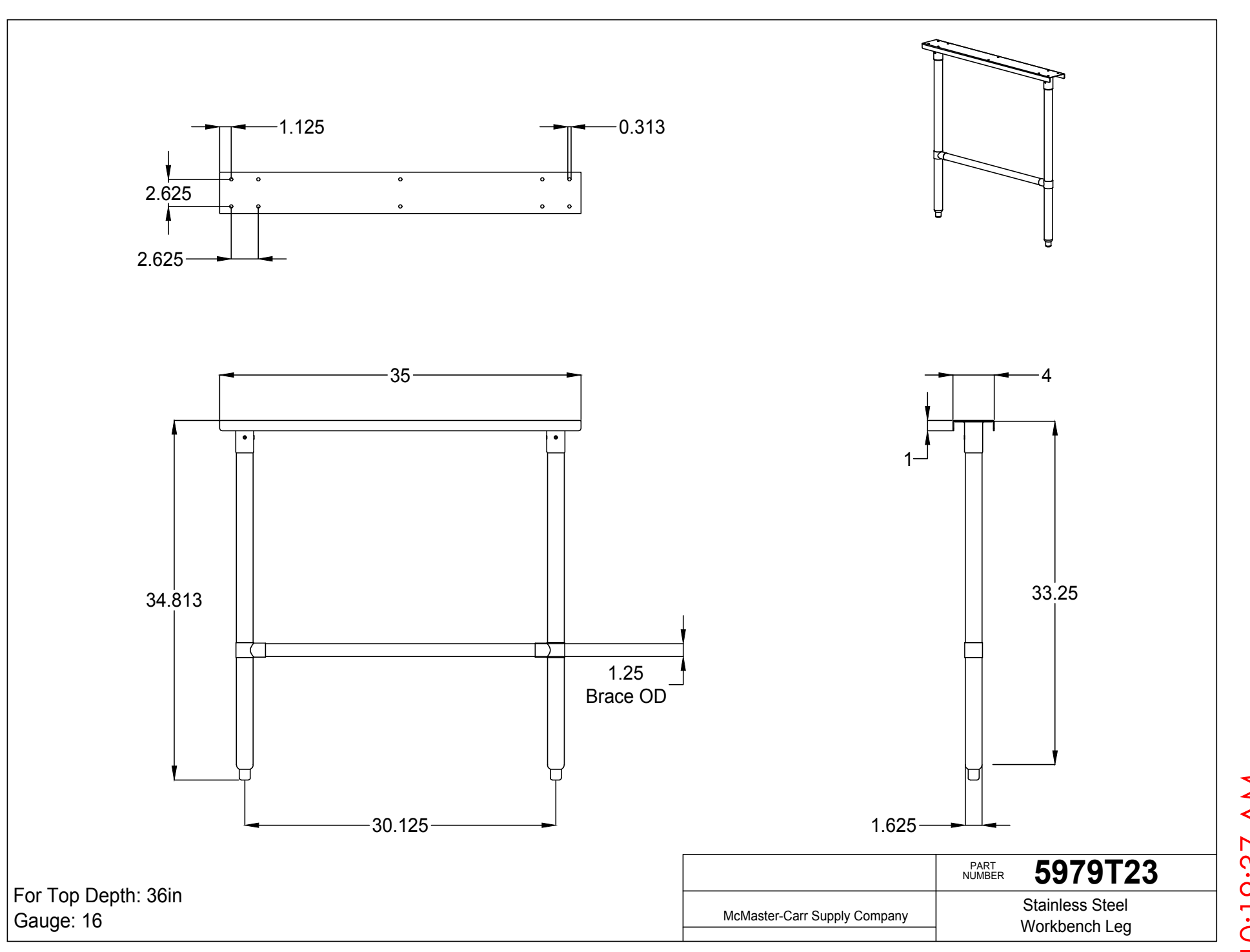
4 AUTOPSY TABLE-DETAIL
SCALE: FULL SCALE



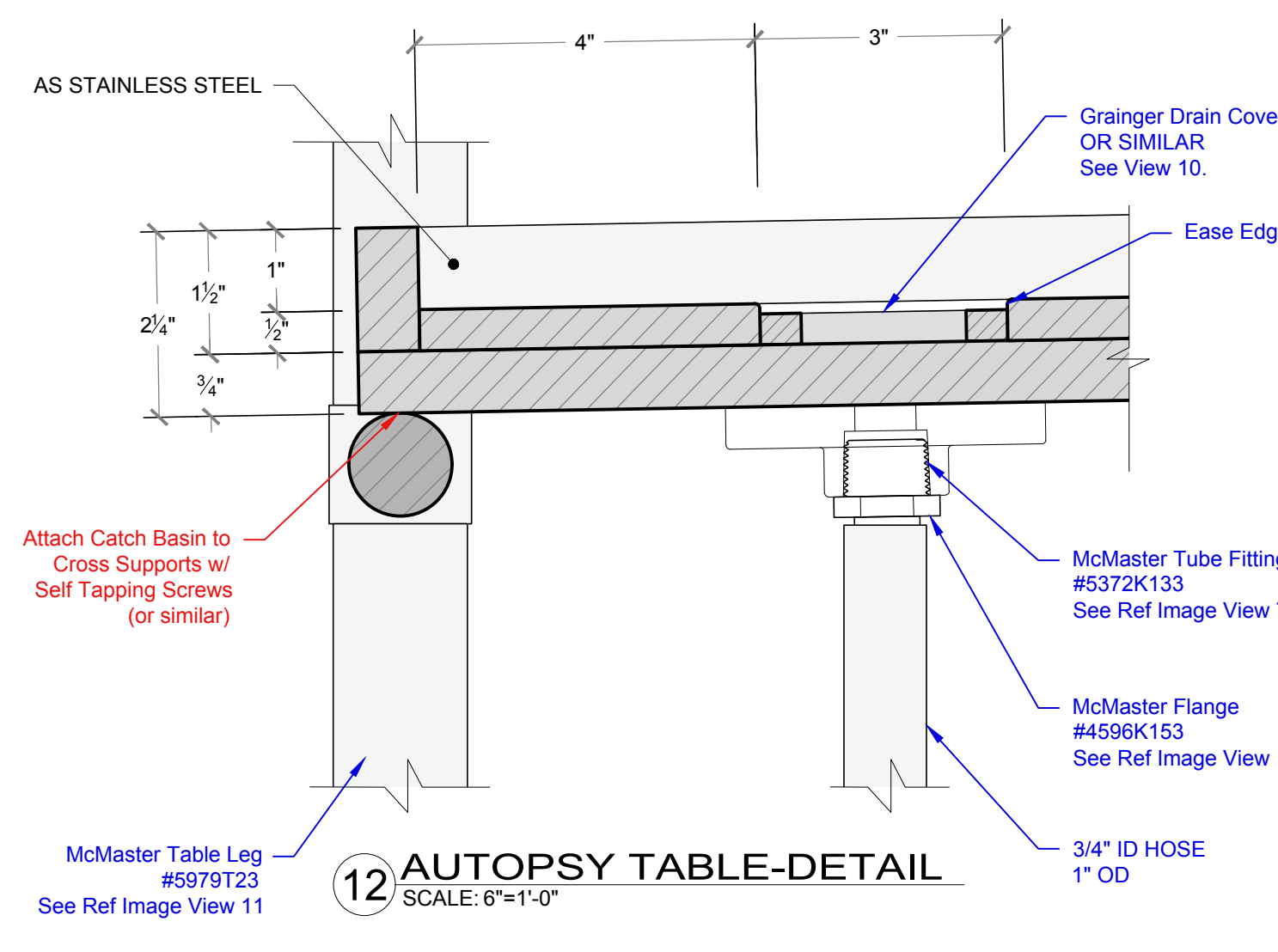
6 REFERENCE - ESCUTCHEON PLATE
SCALE: 6"=1'-0"



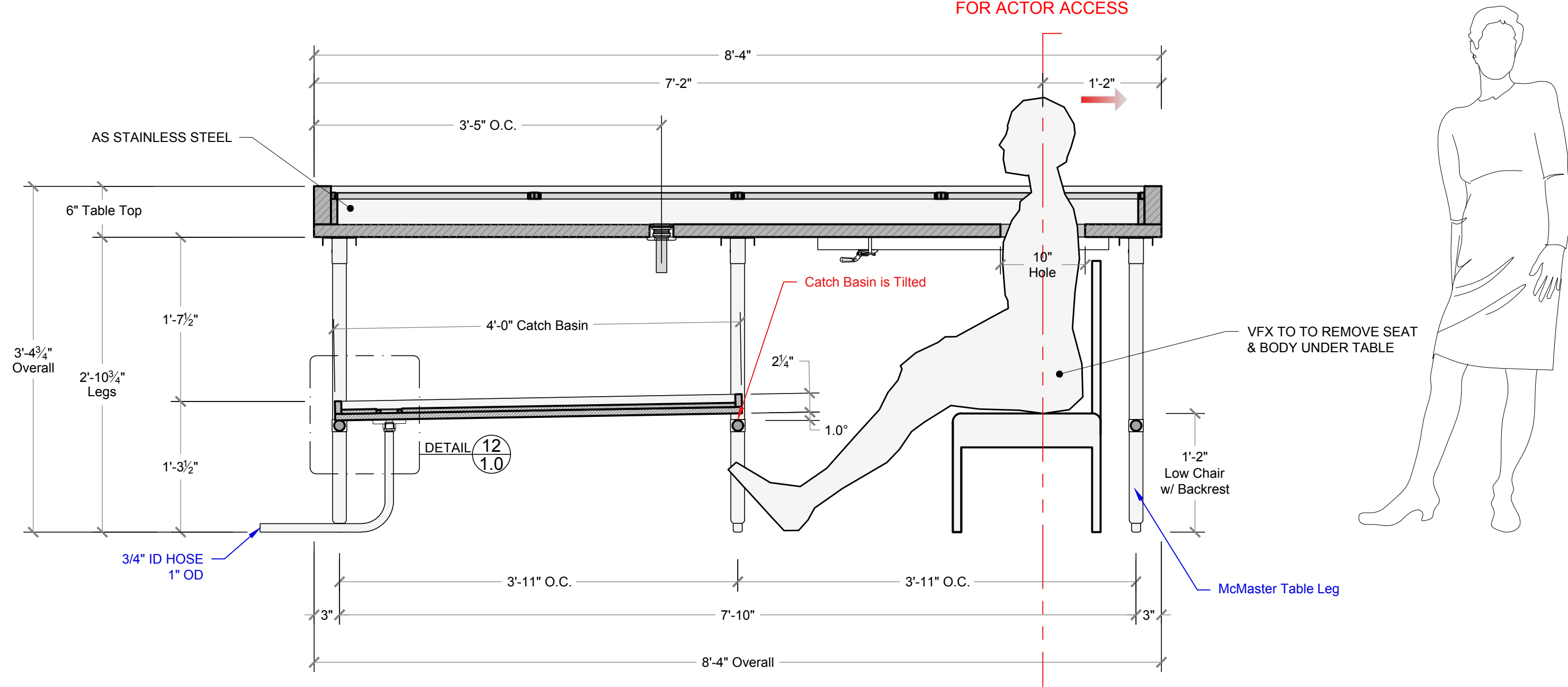
7 REFERENCE - TUBE FITTING
SCALE: 6"=1'-0"



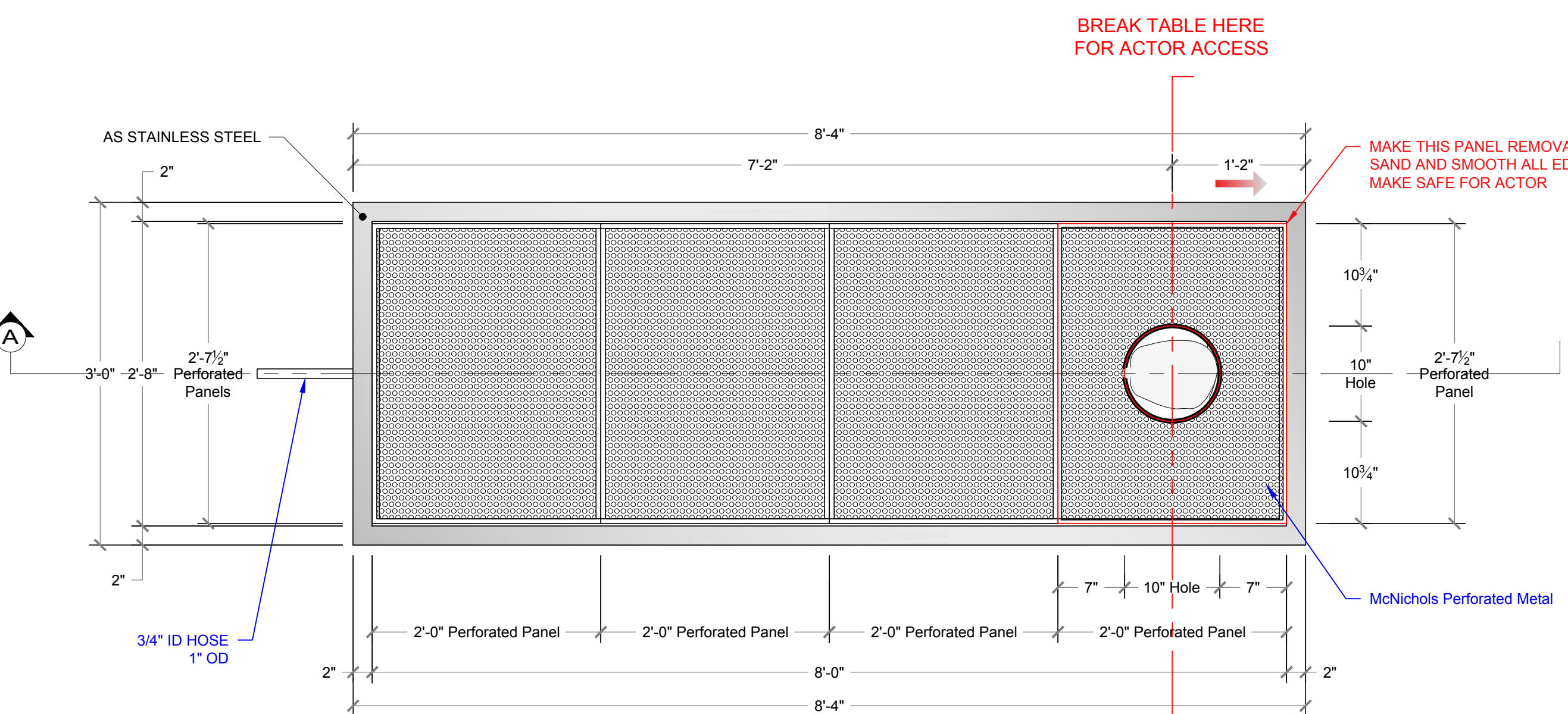
11 REFERENCE - TABLE LEGS
SCALE: 1"=1'-0"



12 AUTOPSY TABLE-DETAIL
SCALE: 6"=1'-0"



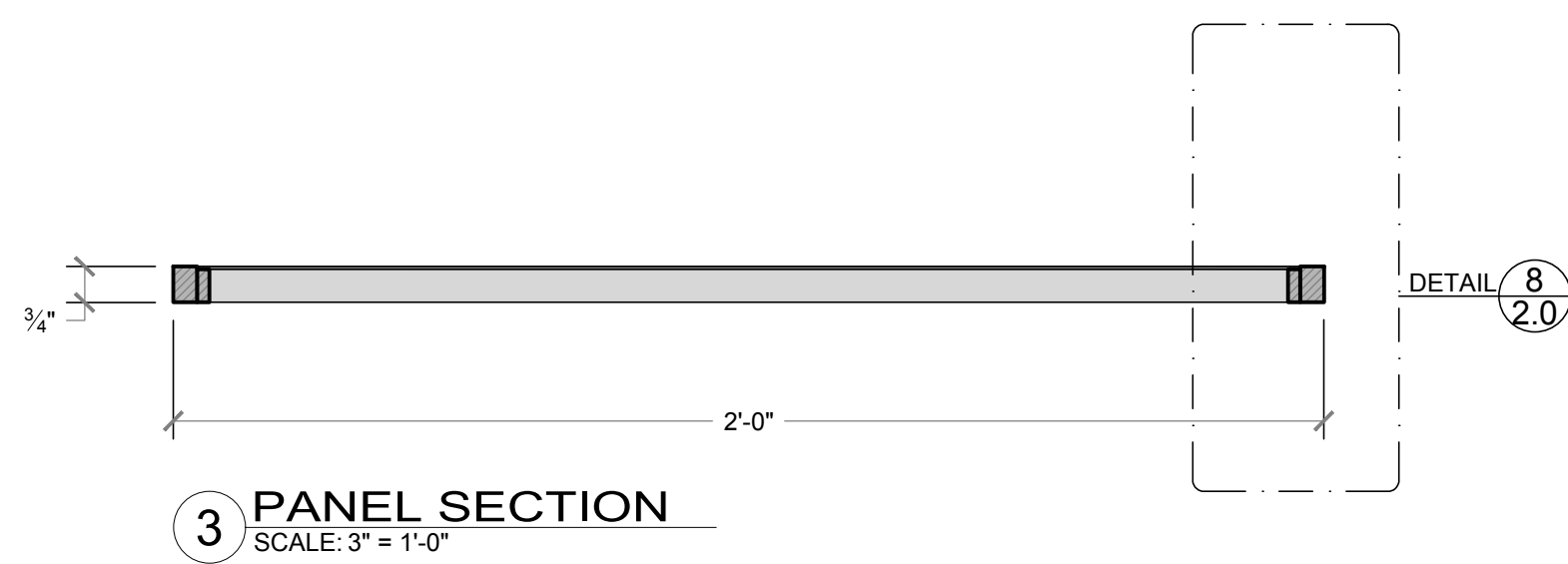
1 AUTOPSY TABLE-SECTION A
SCALE: 1" = 1'-0"



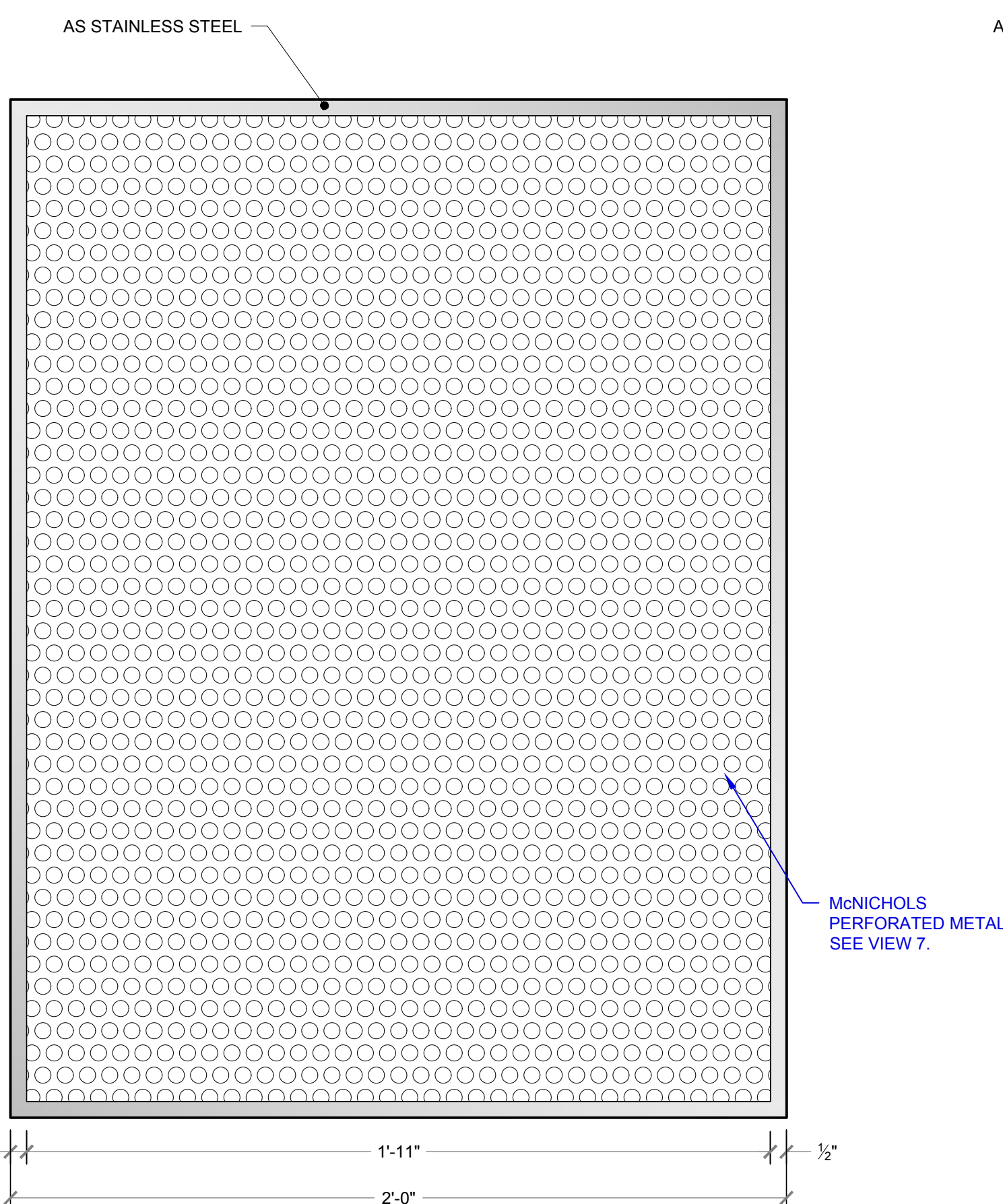
2 AUTOPSY TABLE-PLAN
SCALE: 1" = 1'-0"



7 REFERENCE - PERFORATED SHEET
SCALE: FULL SCALE

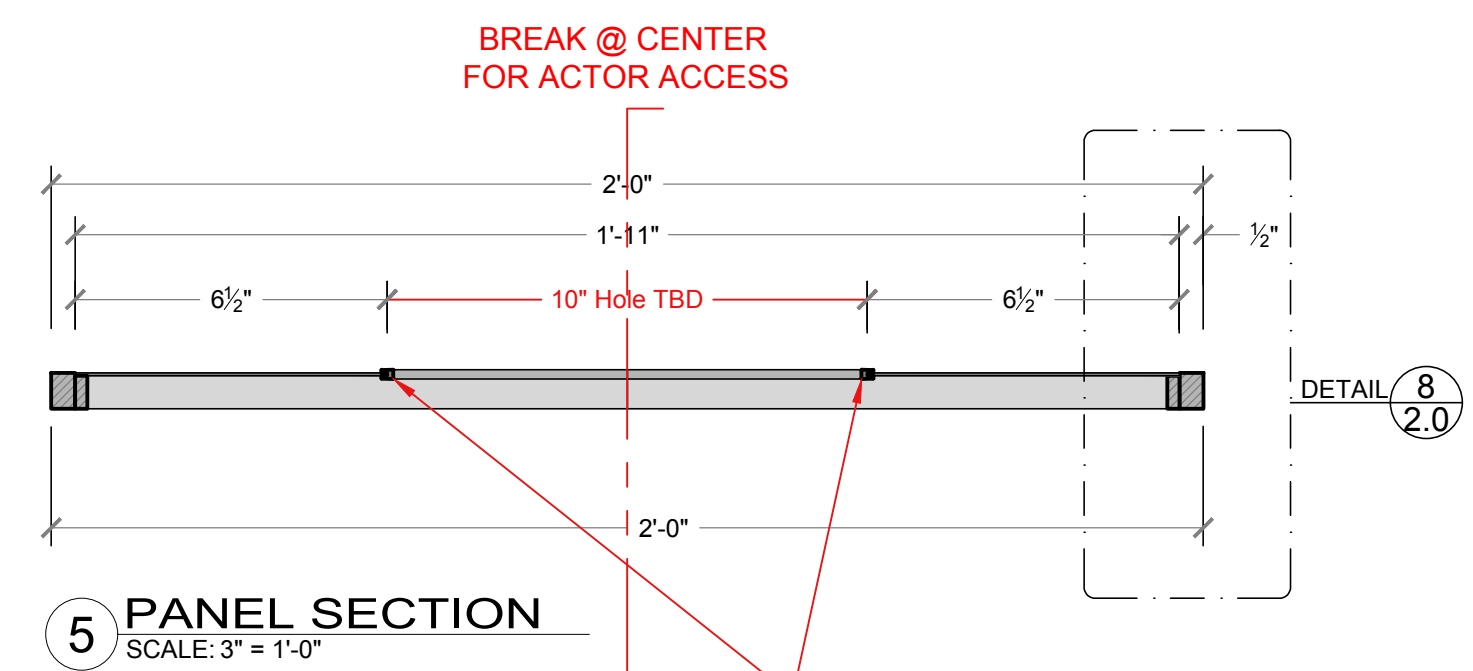


3 PANEL SECTION
SCALE: 3" = 1'-0"

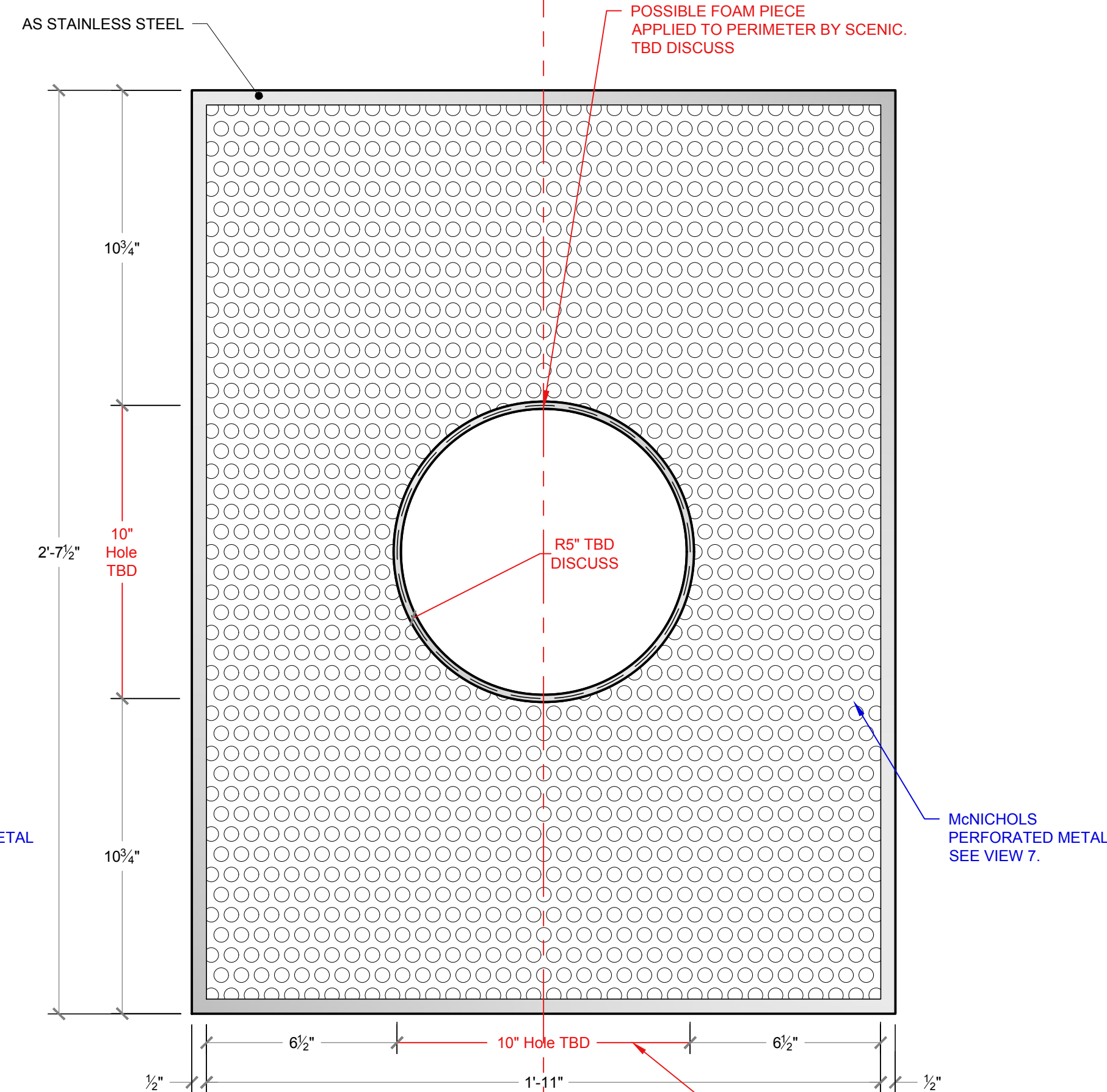


4 PANEL PLAN
SCALE: 3" = 1'-0"

NOTE: MAKE x4

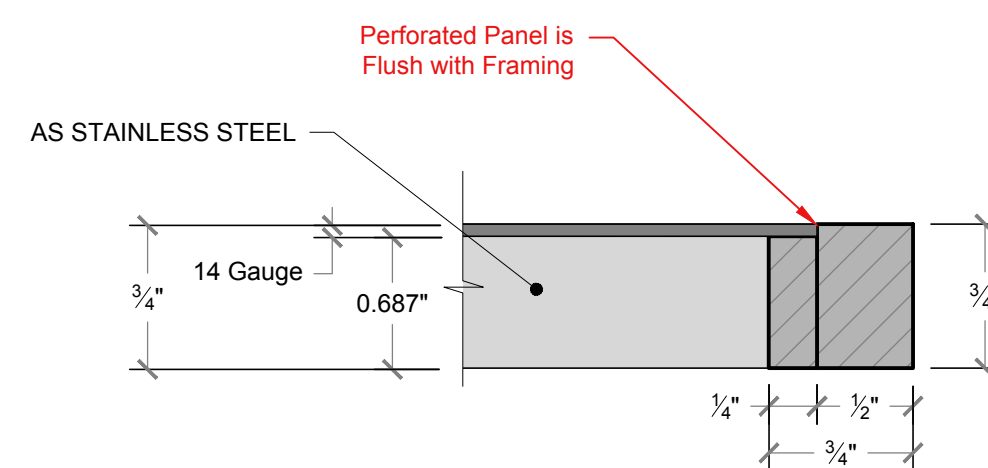


5 PANEL SECTION
SCALE: 3" = 1'-0"



6 PANEL PLAN
SCALE: 3" = 1'-0"

NOTE: MAKE XI



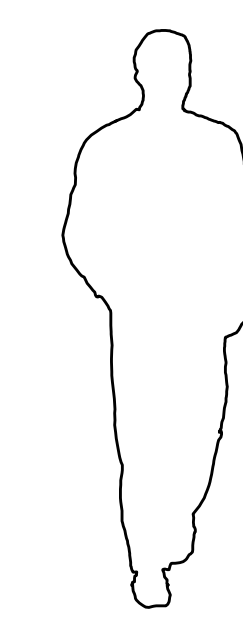
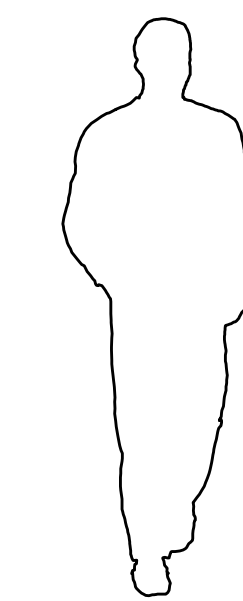
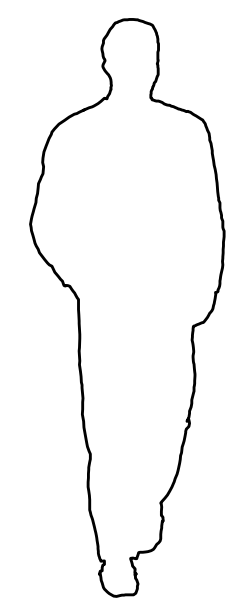
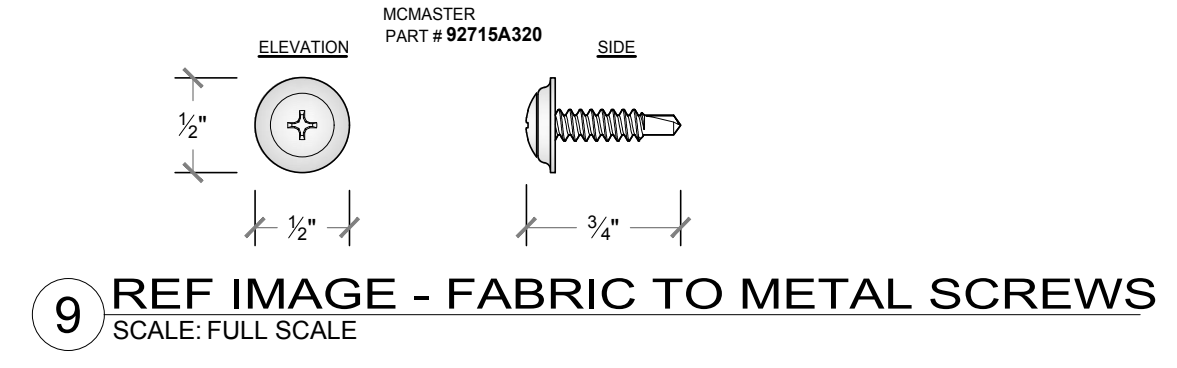
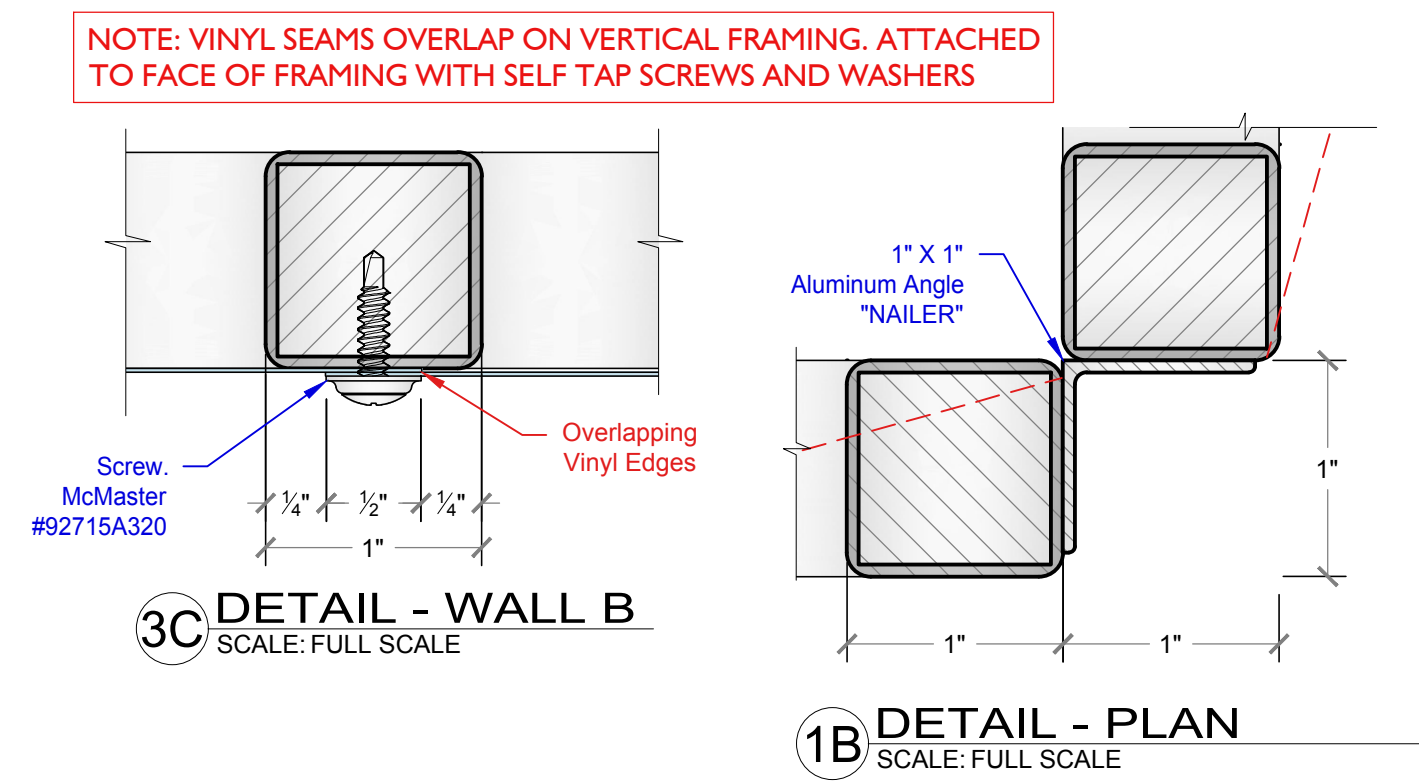
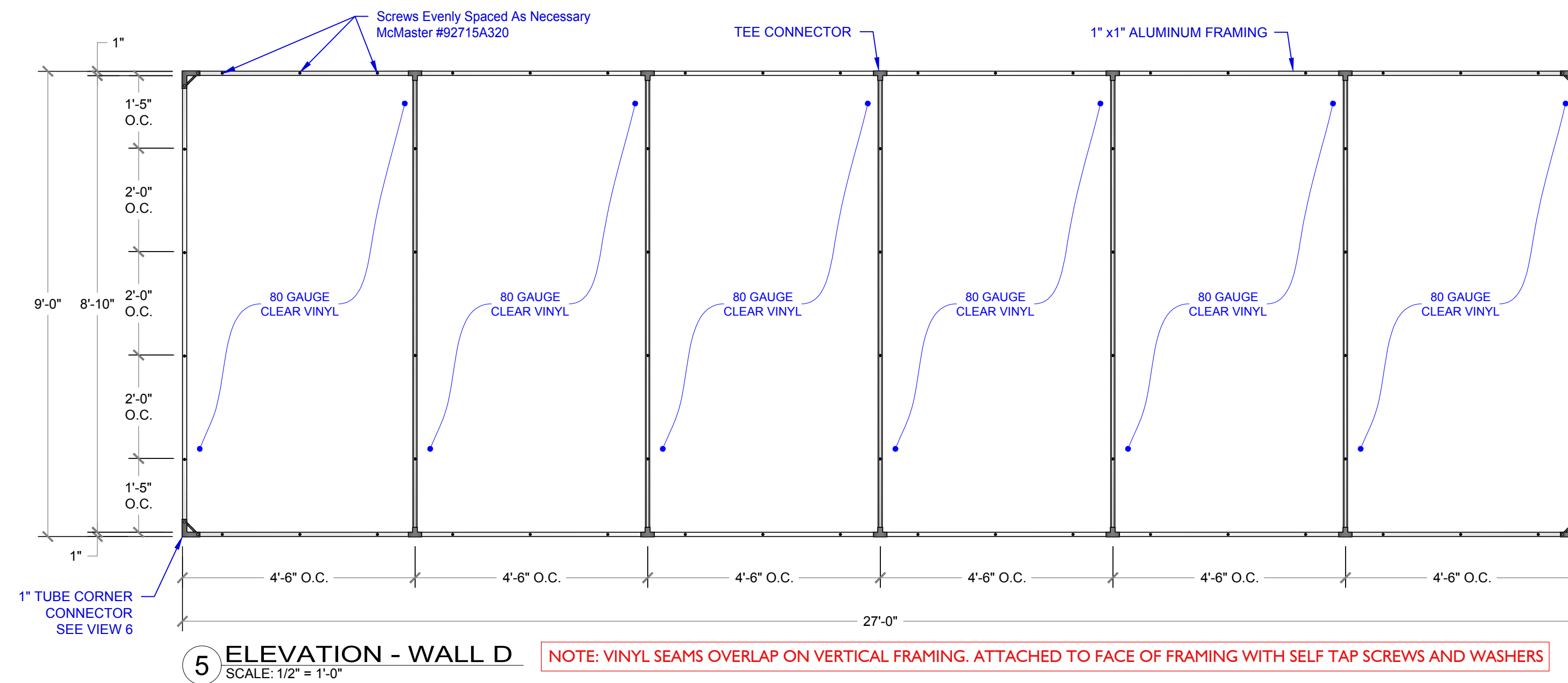
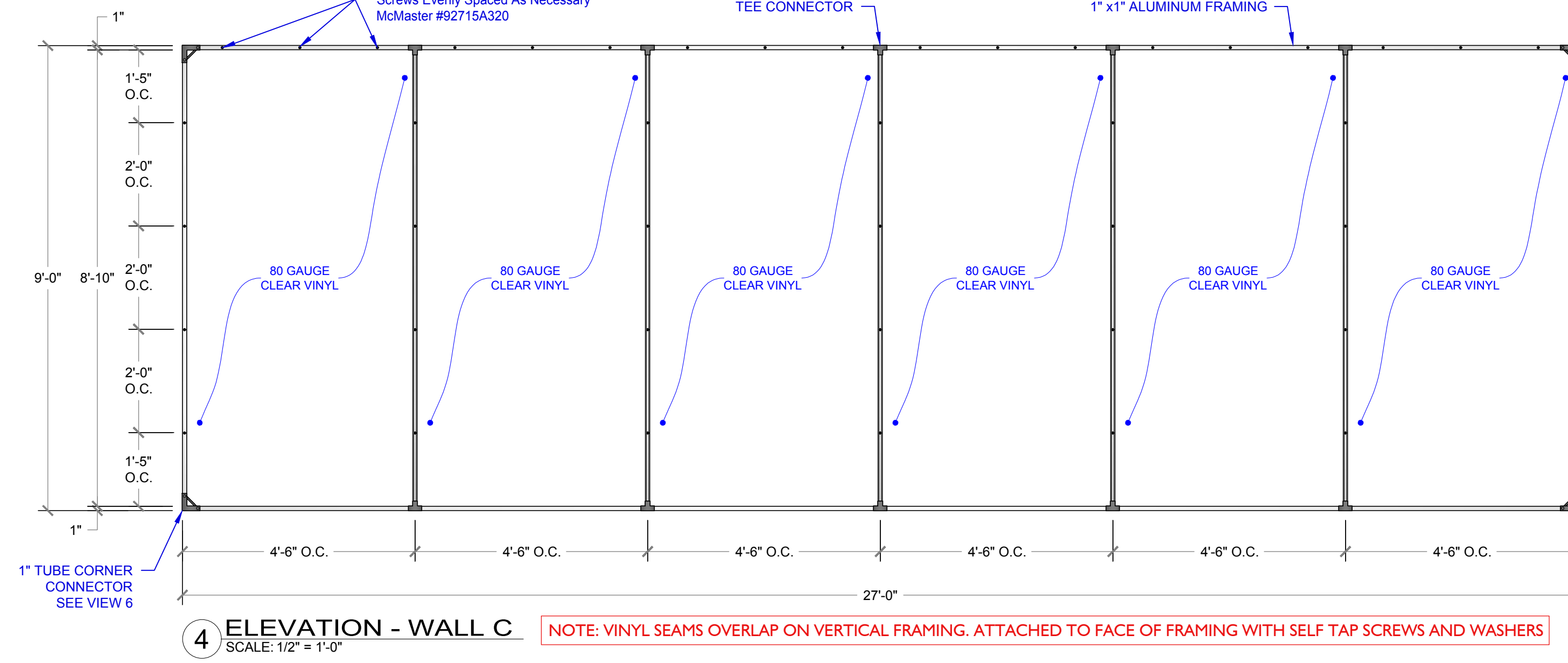
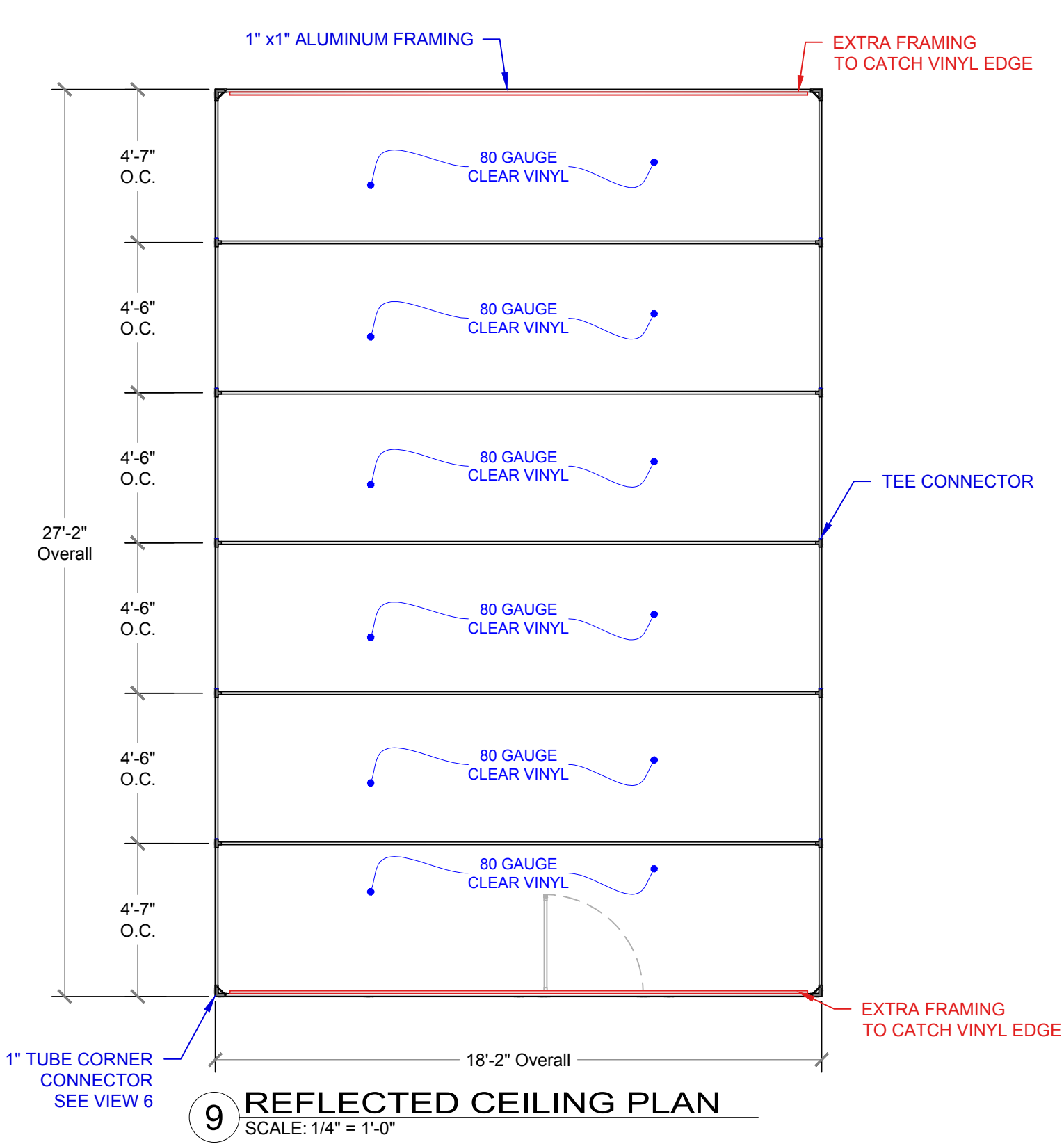
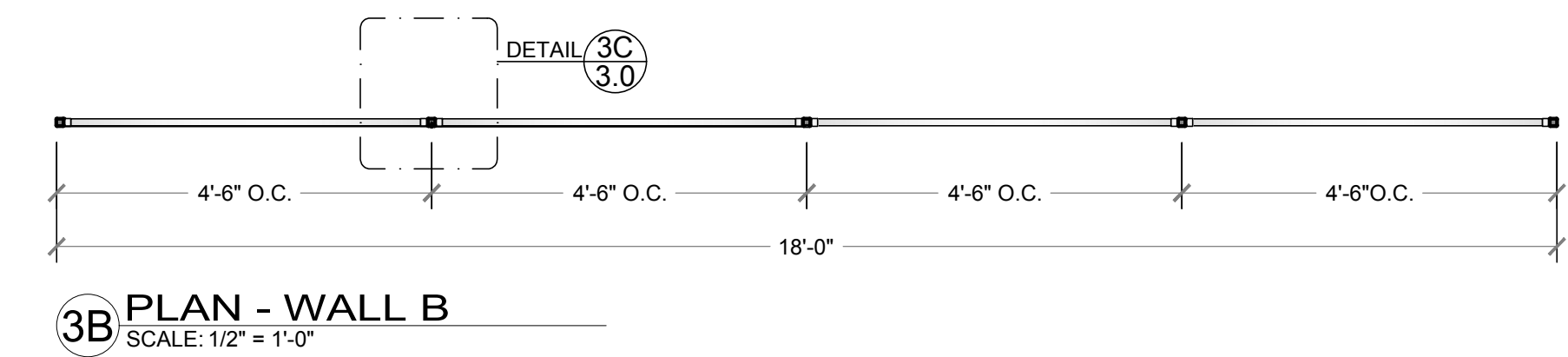
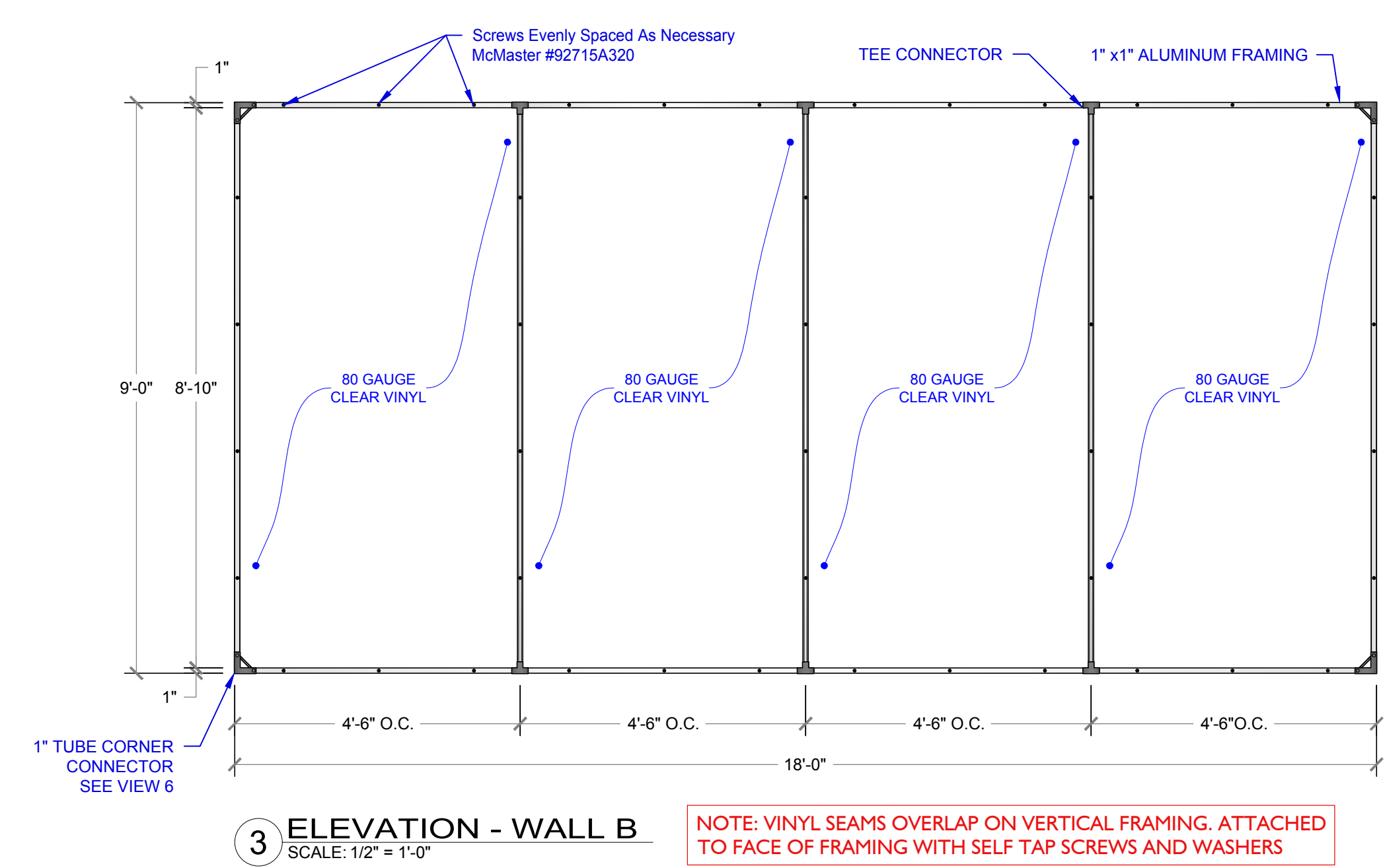
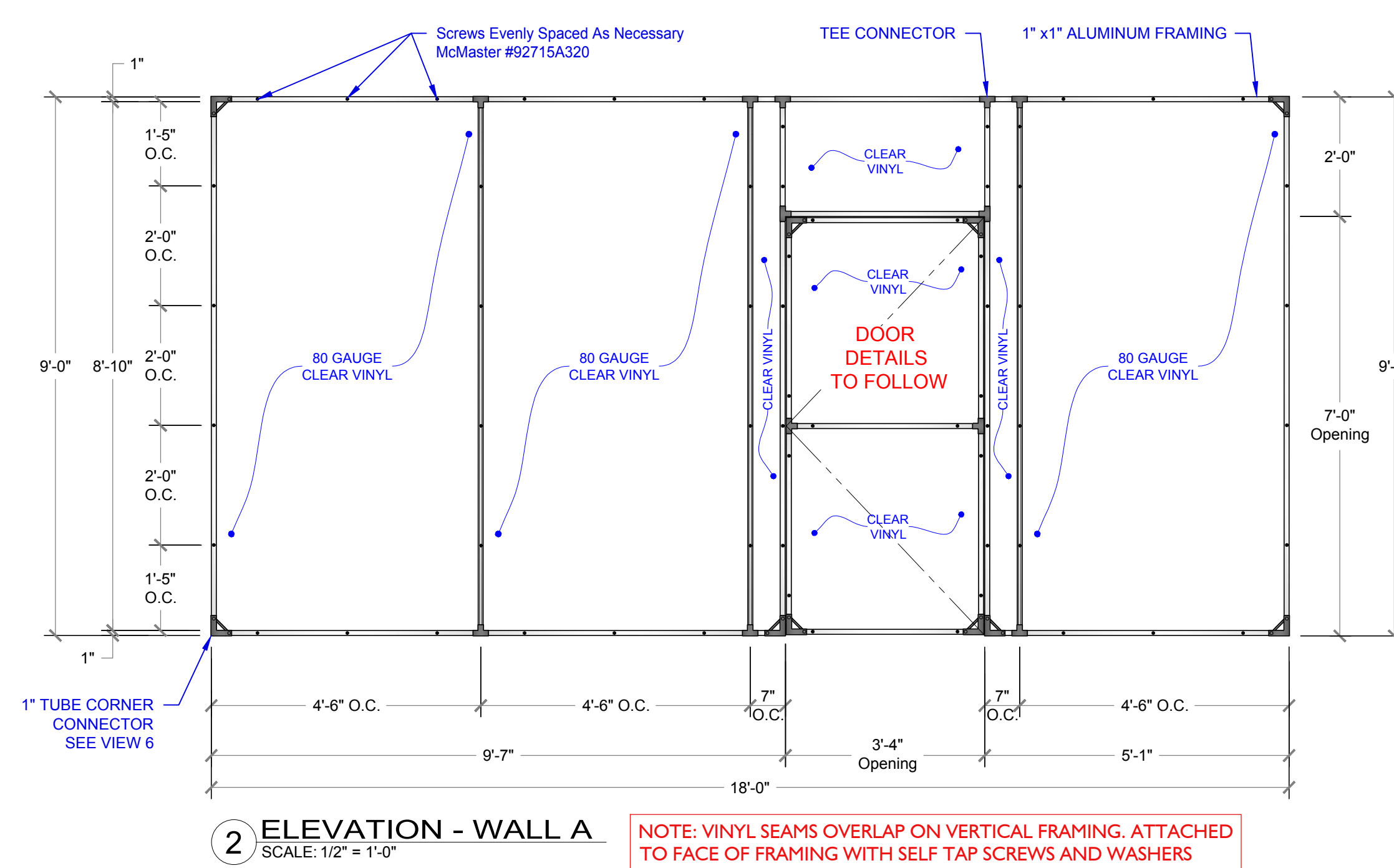
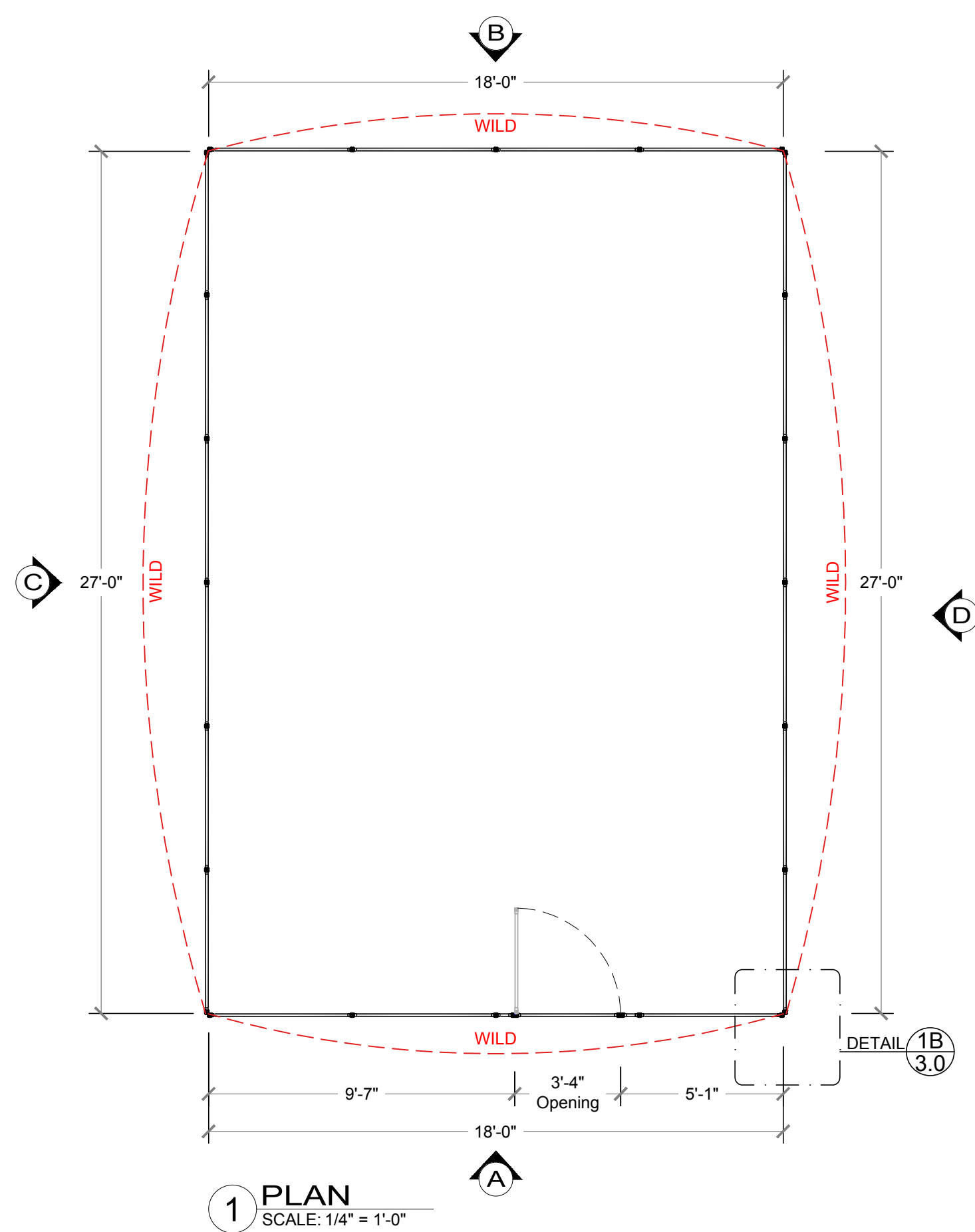
8 PANEL DETAIL
SCALE: FULL SCALE

DRAWING #	2.0
EPISODE	206
SET #	10088
SHOOT DATE:	06-11-24
SCALE:	AS NOTED
SET NAME:	INT. RAMONA'S WAREHOUSE - DECONTAMINATION ROOM
LOCATION ADDRESS:	Seret Studios - Greenpoint 25 Noble St, Brooklyn, NY 11222
PRODUCTION DESIGNER:	BRET TANZER
ART DIRECTOR:	MARISSA KOTSLIMBAS
SET DECORATOR:	LAUREN CRAWFORD
DRAWN BY:	C. FRANK
REVISIONS BY:	

RELEASED 06/04/24

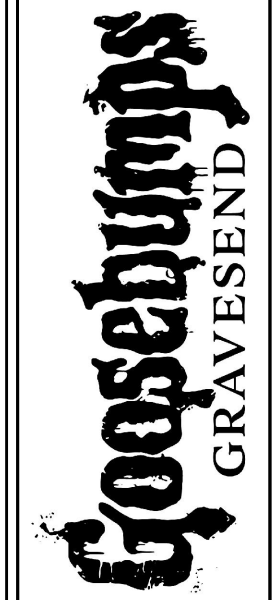
6/4/2024 1:04:03 PM

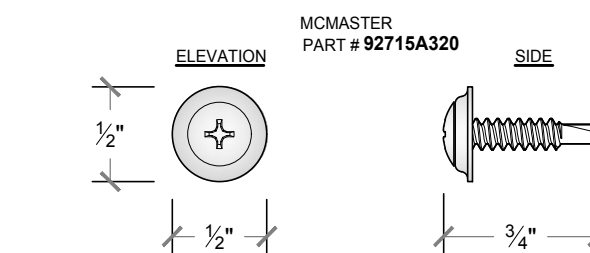
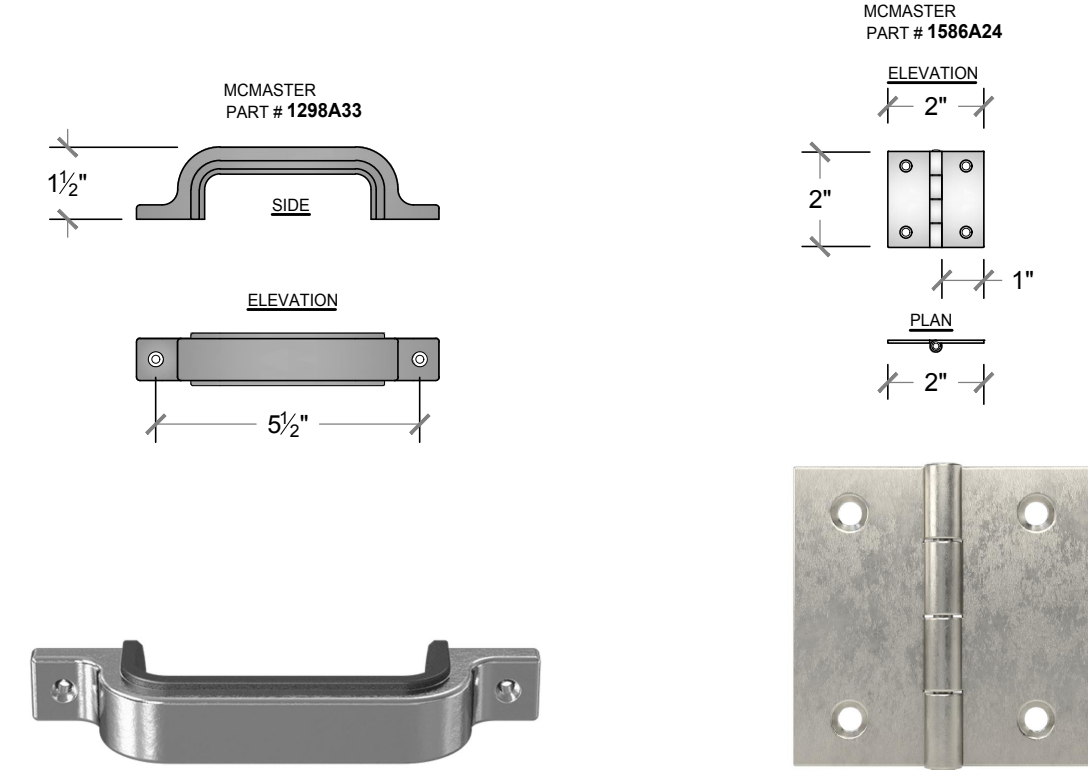
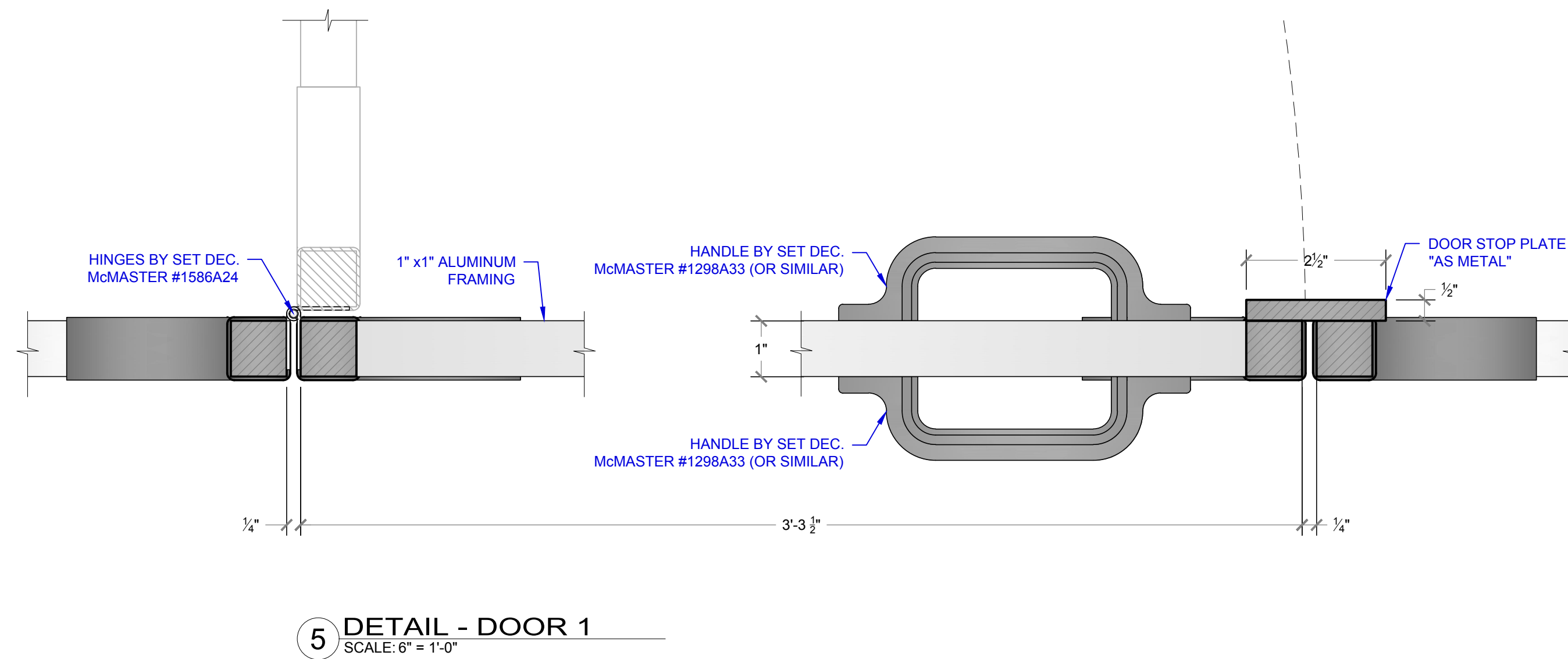
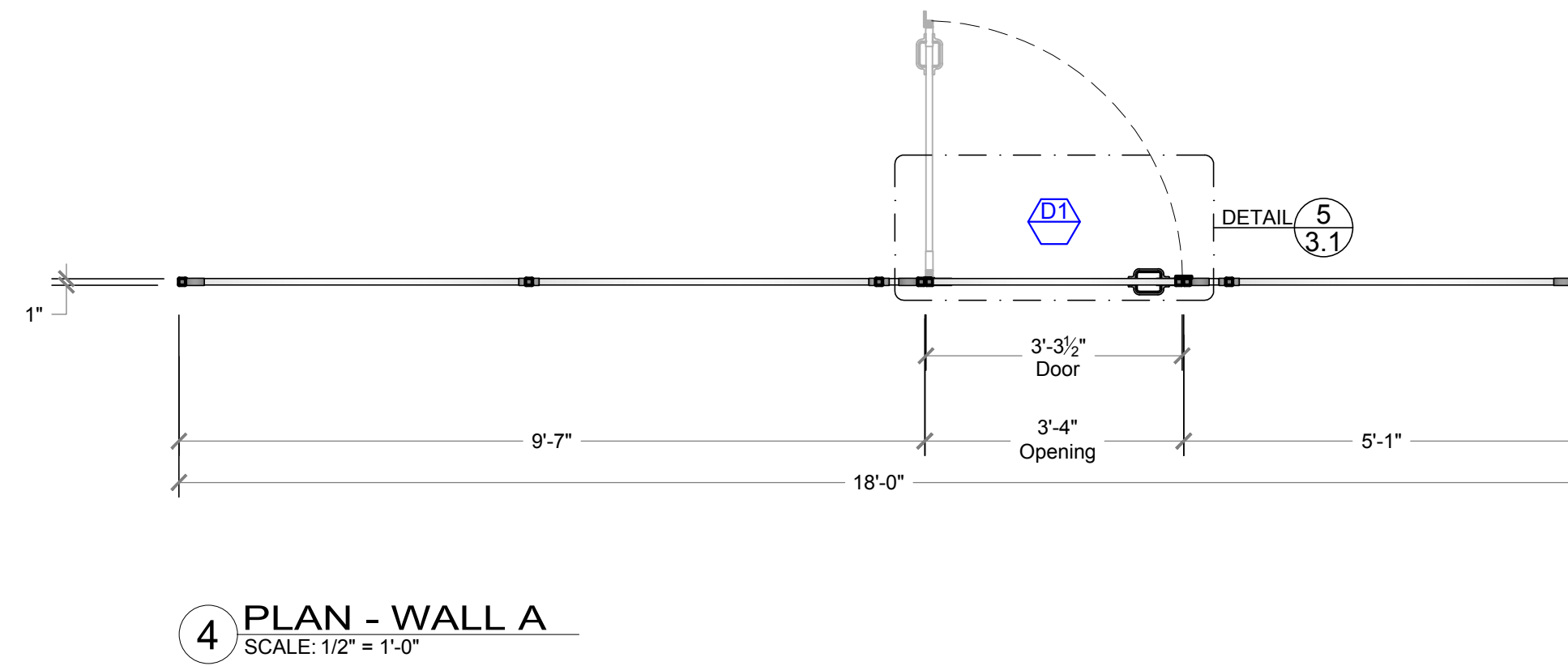
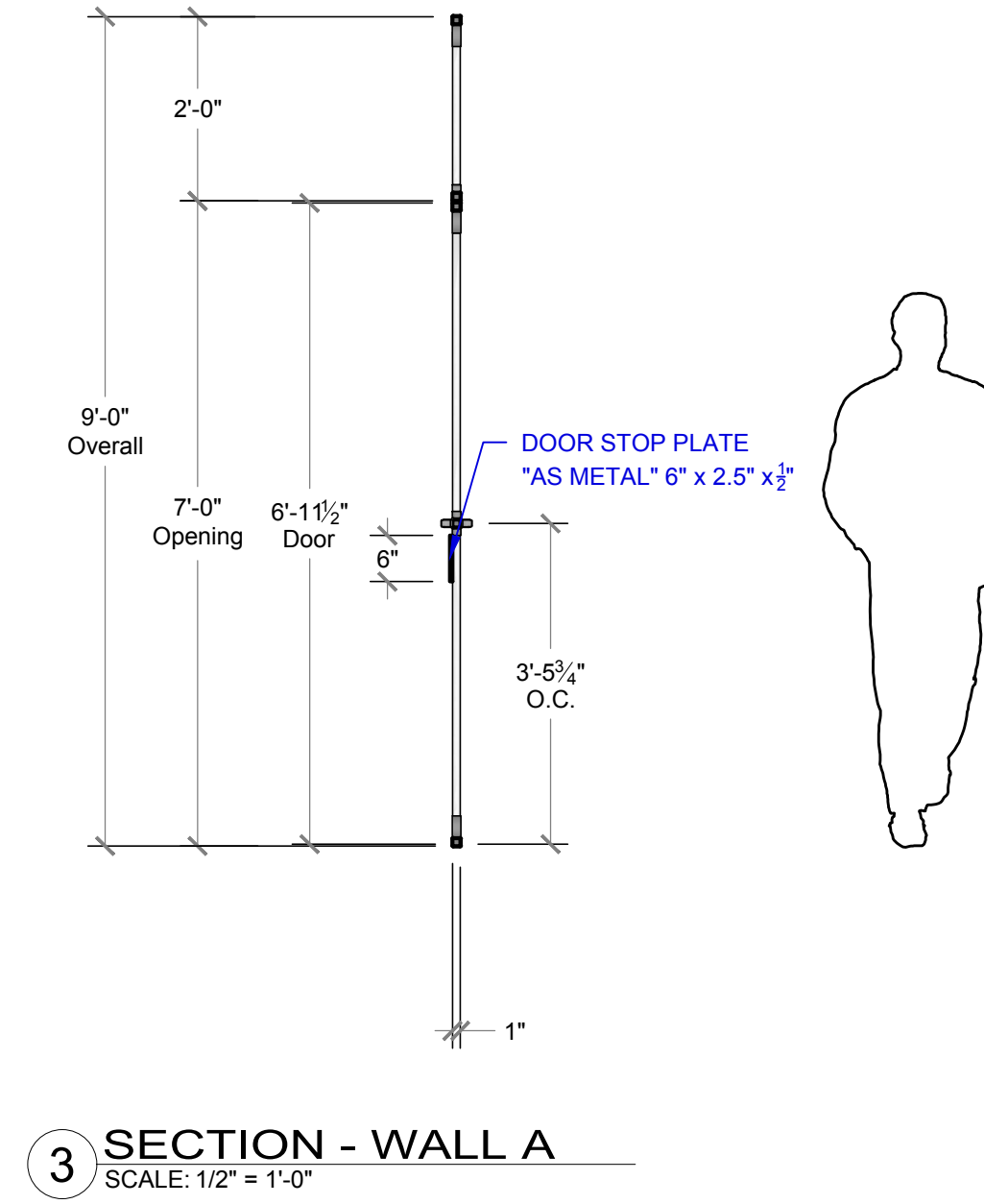
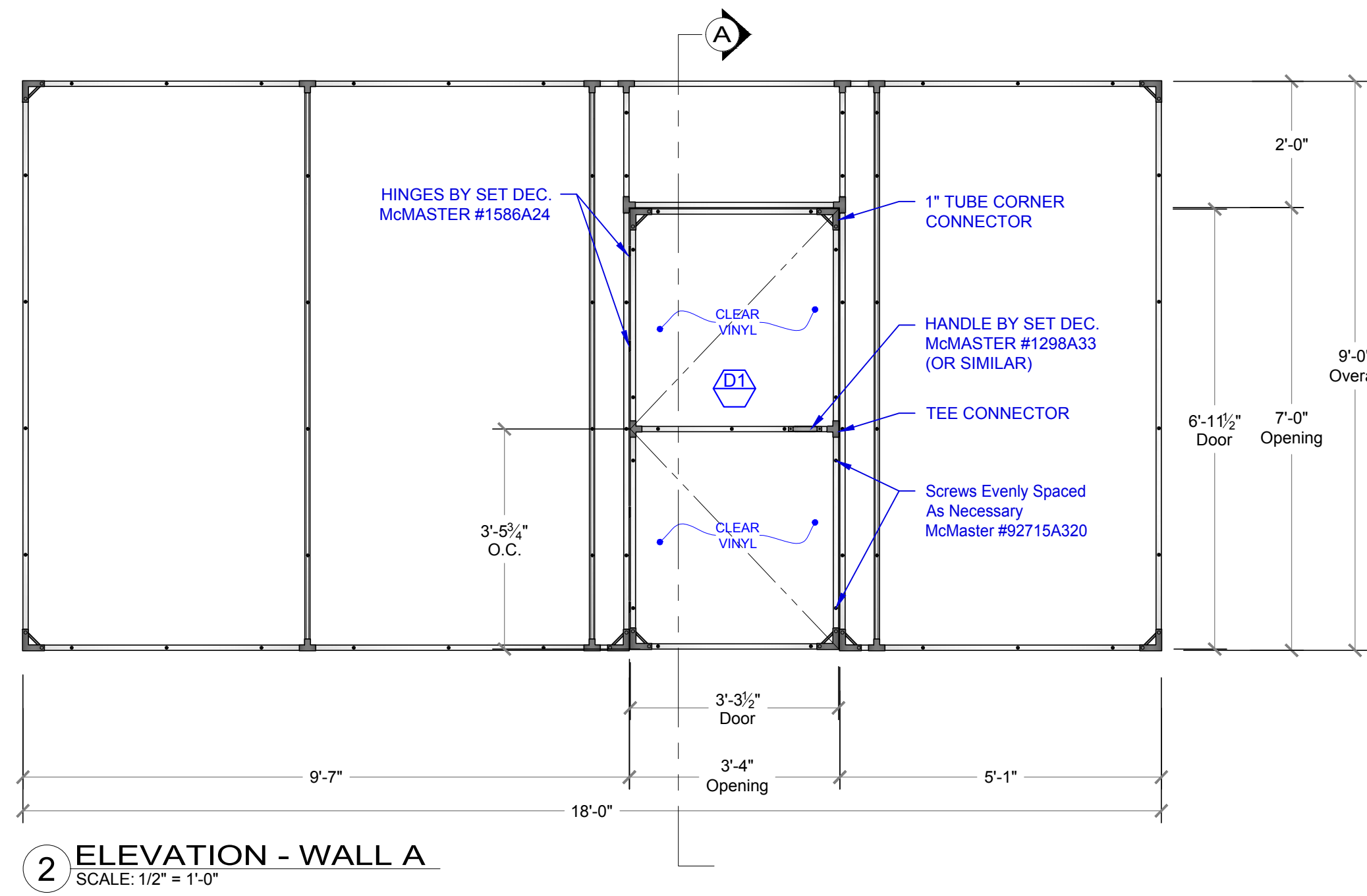
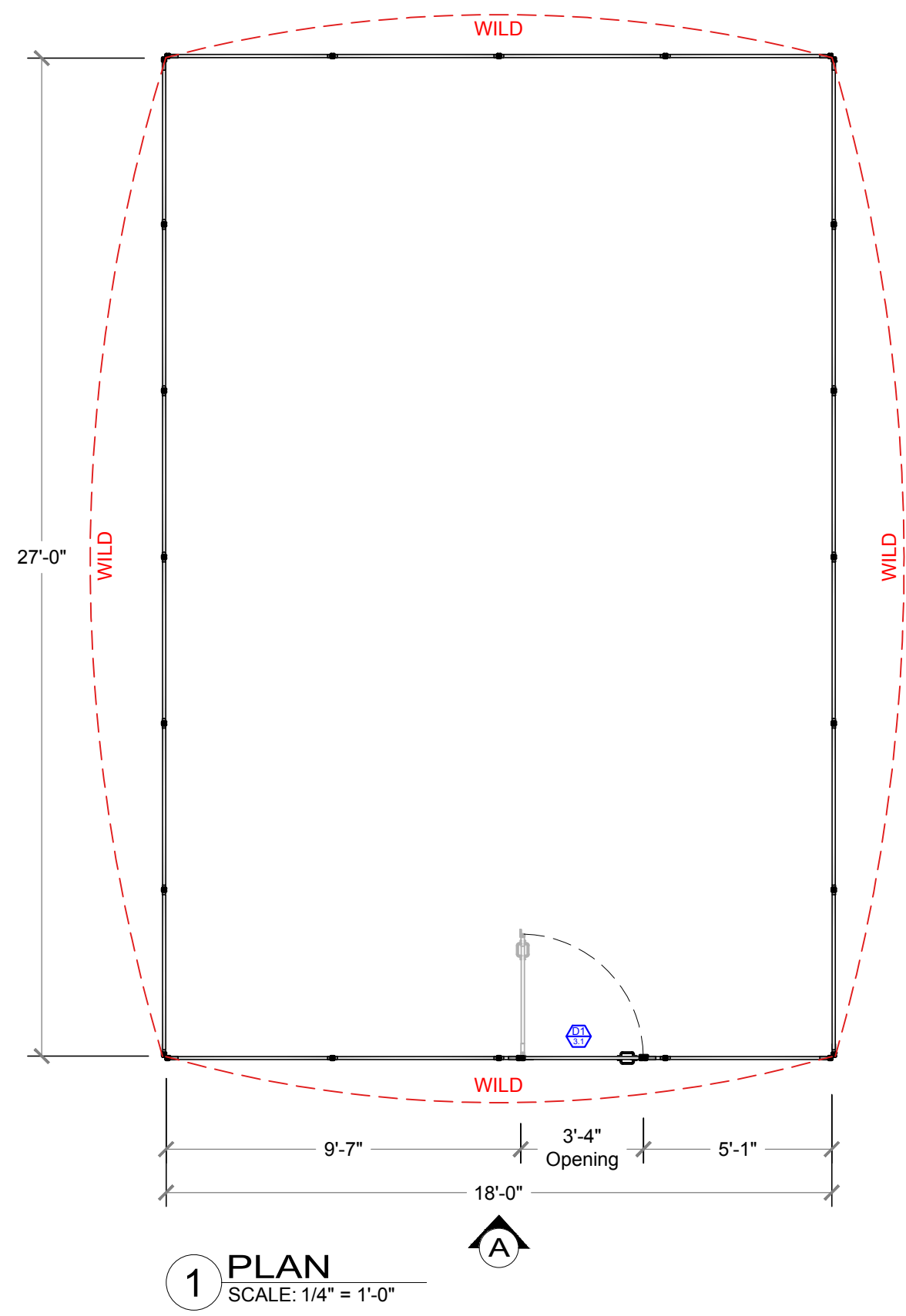




DRAWING #	3.0	
EPISODE	206	SET # 10088
SHOOT DATE:	06-11-24	
SCALE:	AS NOTED	
SET NAME:	INT. RAMONA'S WAREHOUSE & DECON RM	
LOCATION ADDRESS:	Seret Studios - Greenpoint 25 Noble St, Brooklyn, NY 11222	
PRODUCTION DESIGNER:	BRET TANZER	
ART DIRECTOR:	MARISSA KOTSILIMBAS	
SET DECORATOR:	LAUREN CRAWFORD	
DRAWN BY:	C. FRANK	
REVISIONS BY:		

RELEASED 06/03/24
6/3/2024 1:22:31 PM



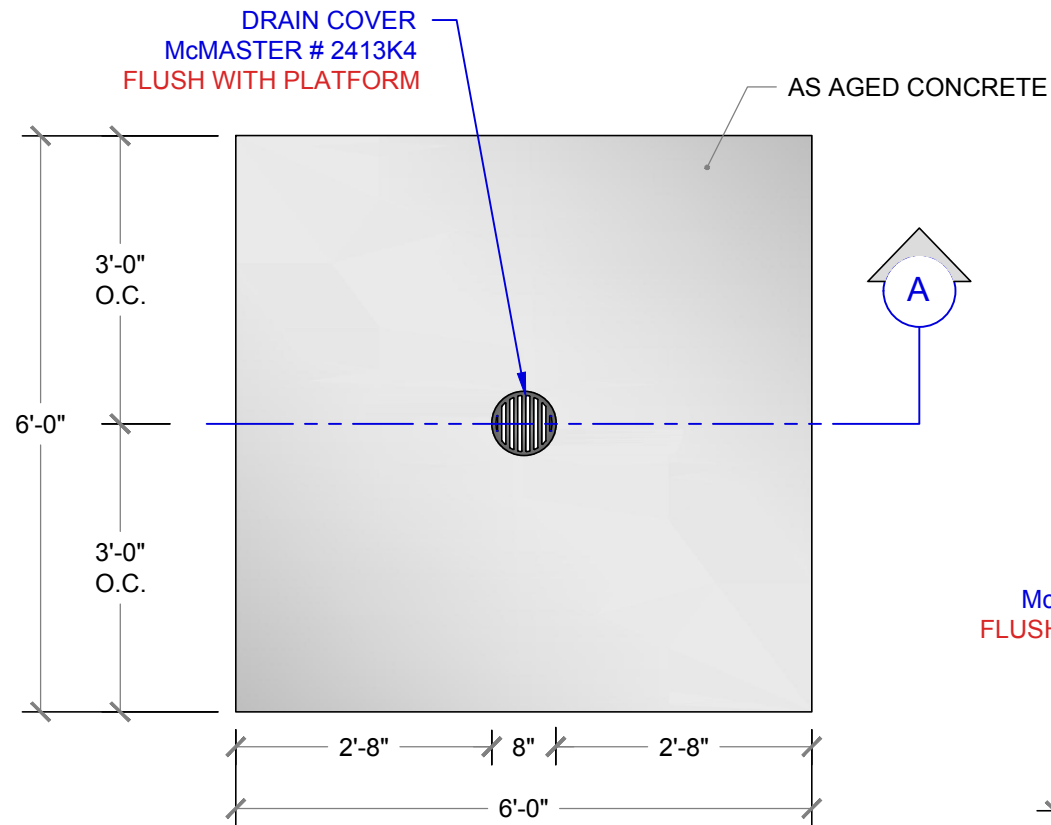


RELEASED 06/04/24

6/4/2024 10:19:57 AM

DRAWING #		3.1	
EPISODE	206	SHOOT DATE:	06-11-24
SET #	10088	SCALE:	AS NOTED
SET NAME:	INT. RAMONA'S WAREHOUSE & DECON RM		
LOCATION ADDRESS:	Seret Studios - Greenpoint 25 Noble St, Brooklyn, NY 11222		
PRODUCTION DESIGNER:	BRET TANZER		
ART DIRECTOR:	MARISSA KOTSIUMBAS		
SET DECORATOR:	LAUREN CRAWFORD		
DRAWN BY:	C. FRANK		
REVISIONS BY:			

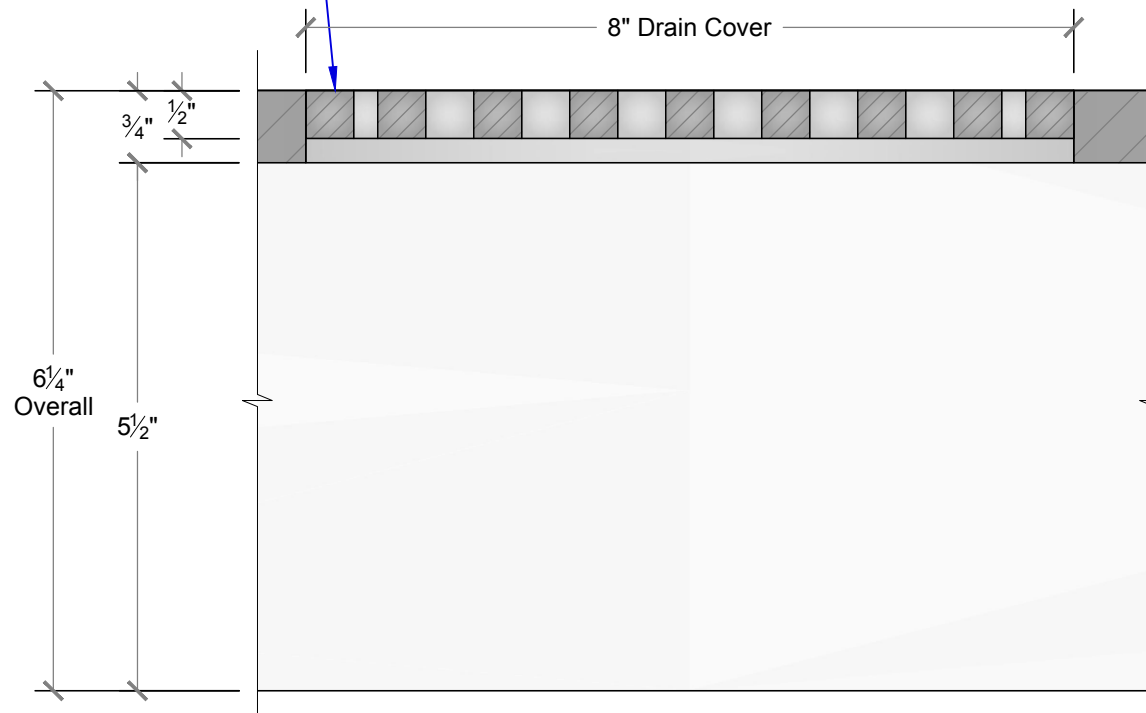




1 DRAIN PLATFORM - PLAN
SCALE: 1/2" = 1'-0"

NOTE:
-ALLOW FOR OOZE (SFX) TO PASS THROUGH DRAIN COVER
-INTERIOR FRAMING AS NECESSARY

DRAIN COVER
McMASTER # 2413K4
FLUSH WITH PLATFORM



3 DRAIN COVER DETAIL
SCALE: 6" = 1'-0"

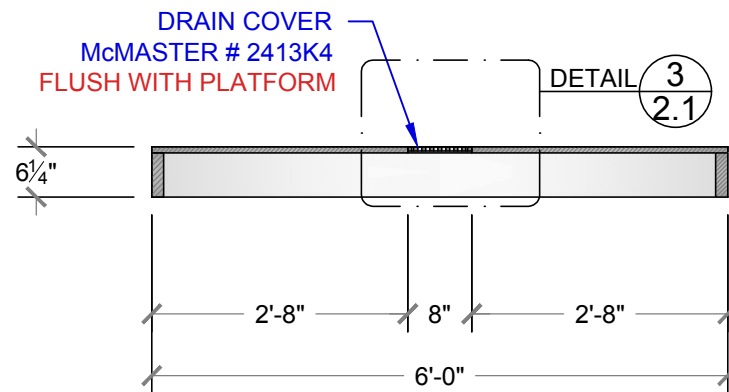


4 REFERENCE PHOTO
SCALE: NTS

Drain Cover 8" Dia x 1/2" Thick
McMaster #2413K4 QTY: x3



5 REFERENCE PHOTO
SCALE: NTS



2 DRAIN PLATFORM - SECTION A
SCALE: 1/2" = 1'-0"



EPISODE #
206

SET NAME:
INT. RAMONA'S WAREHOUSE - DRAIN COVER PLATFORM

LOCATION: Seret Studios - Greenpoint 25 Noble St, Brooklyn, NY 11222

SET #: 206-10088
SCALE: AS NOTED
CREATED: 06-04-24

REV 1: XX-XX-24
SHOOT DATE: 06-11-24
DRAWN BY: C.F.

SHEET #:
2.1

RELEASED