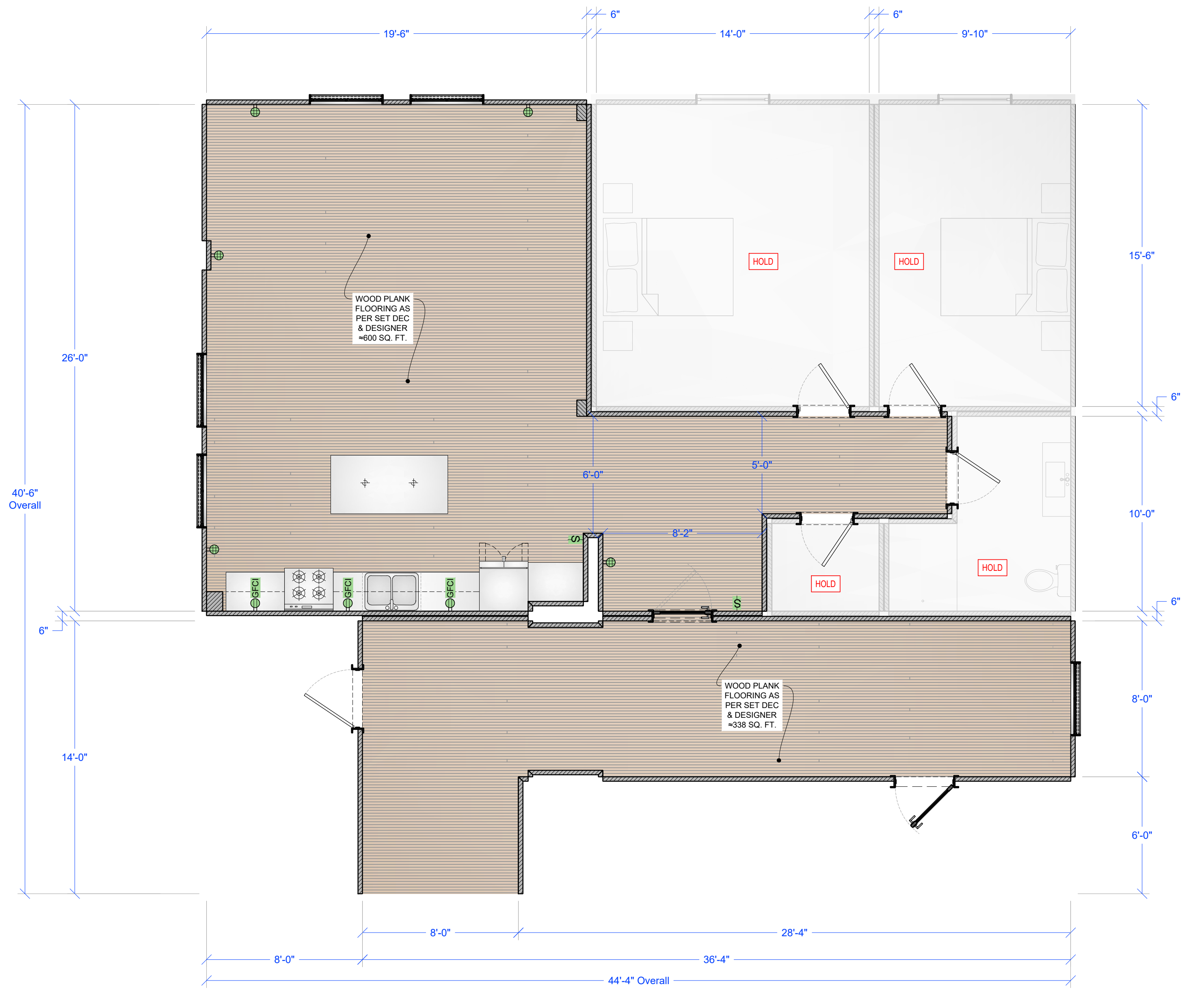


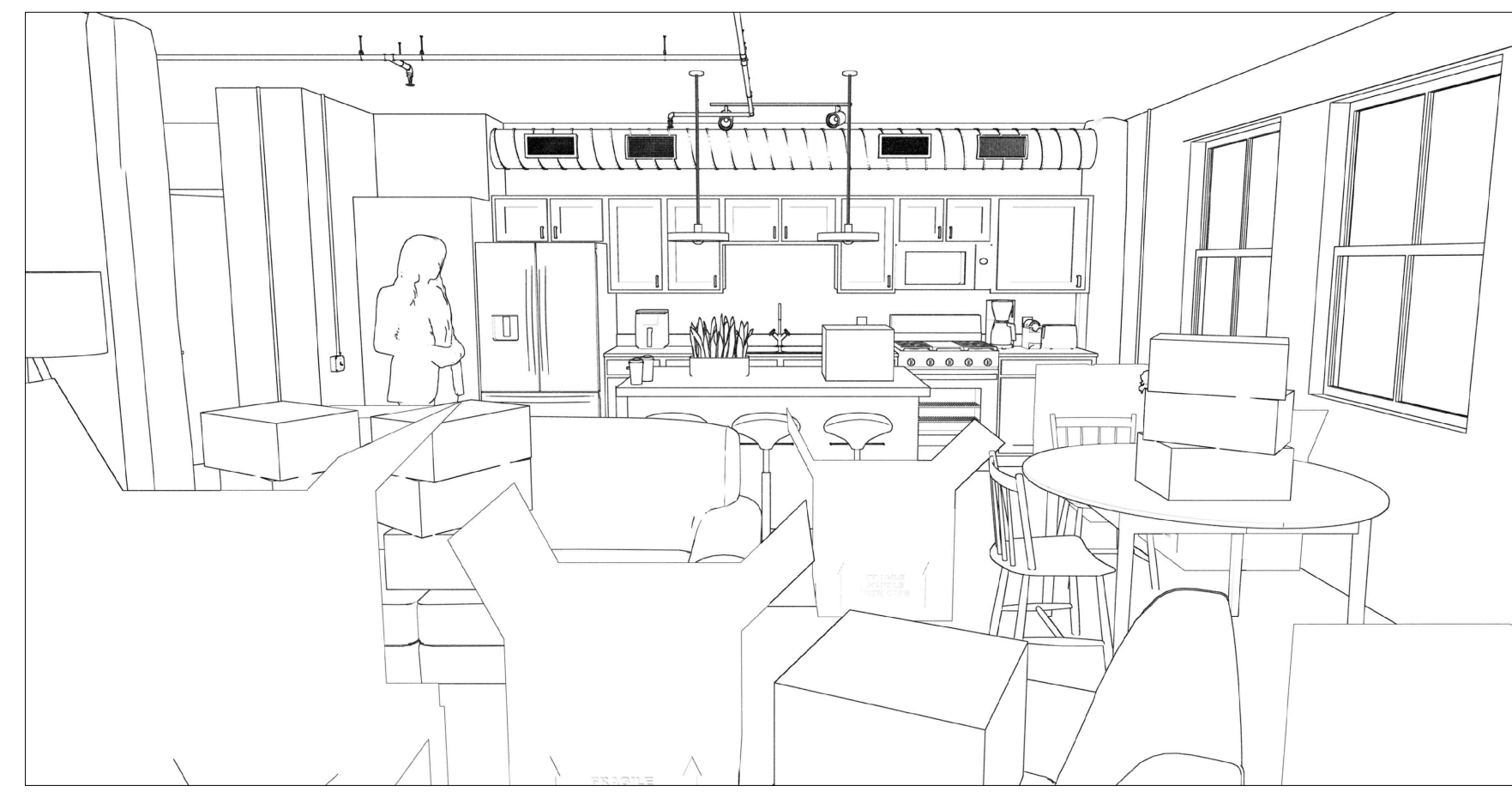
1 SET PLAN  
SCALE: 1/4"=1'-0"



2 FLOORING PLAN  
SCALE: 1/4"=1'-0"

LEGEND	
SYMBOL	DESCRIPTION
	FOURPLEX RECEPTACLE OUTLET
	LIGHT SWITCH
	WALL OUTLET (KITCHEN/BATH)

DOOR SCHEDULE	DOOR NUMBER	1	2	3	4	5	6	7
	QTY.	1	1	1	1	1	1	1
DOOR TYPE	TWO PNL ENTRY	SLAB	SLAB	SLAB	SLAB	SLAB	TWO PNL ENTRY	EXT. EMERGENCY
R.O. SIZE	36" x 84"	32" x 84"	32" x 84"	32" x 84"	32" x 84"	32" x 84"	36" x 84"	36" x 84"
DOOR MATERIAL	WOOD	WOOD	WOOD	WOOD	WOOD	WOOD	WOOD	WOOD AS STEEL
DOOR FINISH	PAIN	STAIN	STAIN	STAIN	STAIN	STAIN	PAINT	AS PAINTED STEEL
BUILD	BUILD	PER CONST.	BUILD	BUILD	BUILD	BUILD	BUILD	BUILD
PURCHASE								
HARDWARE STYLE								
ENTRY	X						X	
PRIVACY		X		X		X		
PASSAGE								
DUMMY								X
EXIT/PANIC								X
HARDWARE FINISH	ALUM	ALUM	ALUM	ALUM	ALUM	ALUM	ALUM	ALUM
HINGE QTY.	3	3	3	3	3	3	3	3
THRESHOLD	ALUM	WOOD	WOOD	WOOD	WOOD	WOOD	ALUM	ALUM
NOTES:								



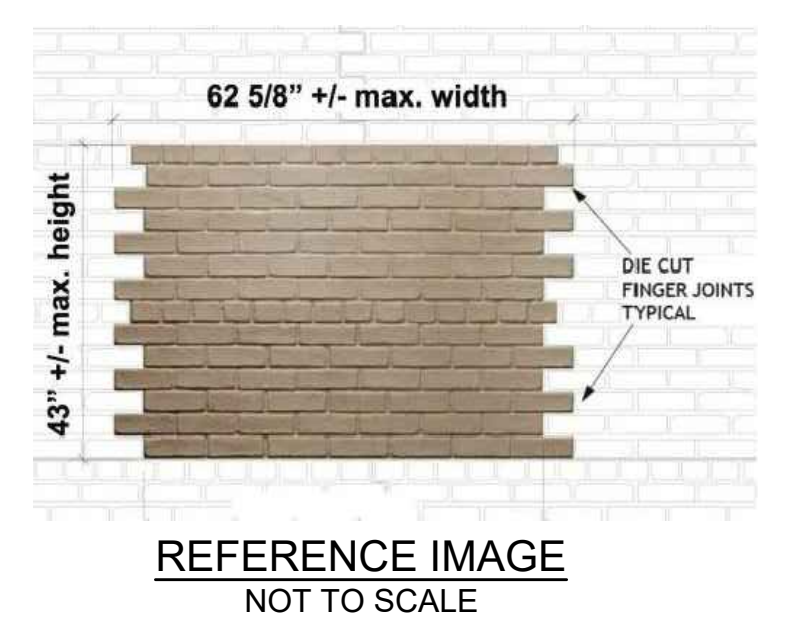
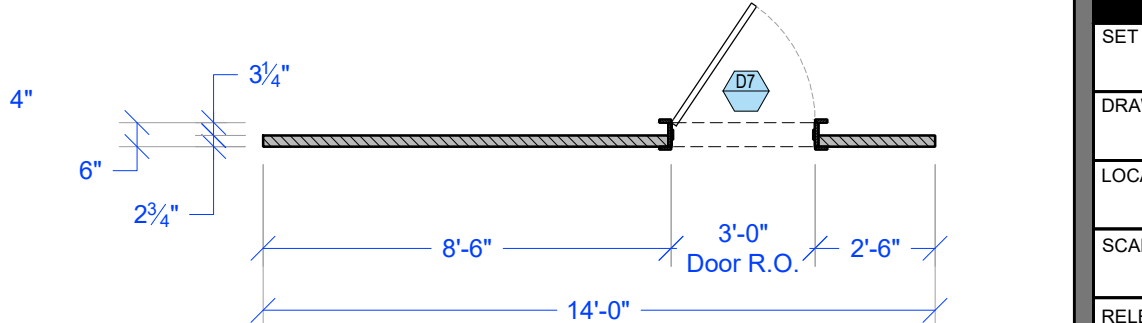
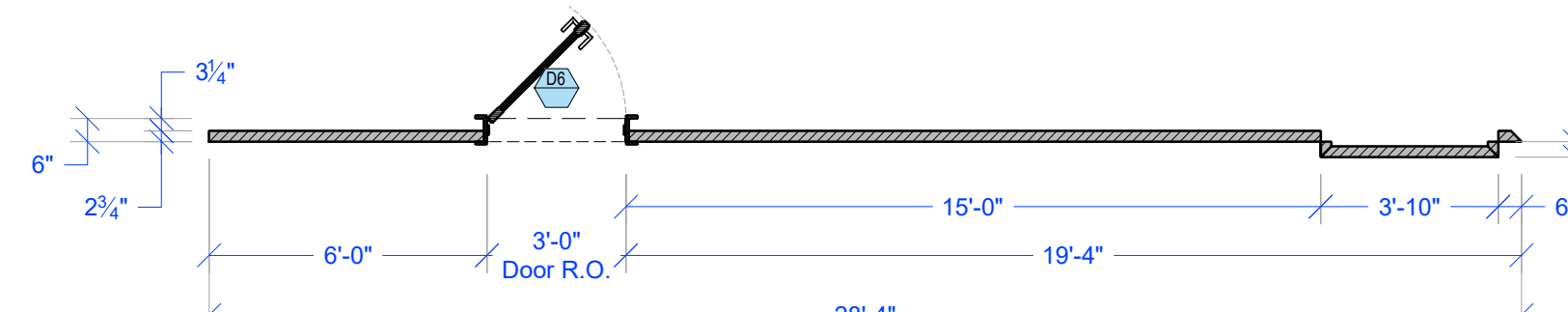
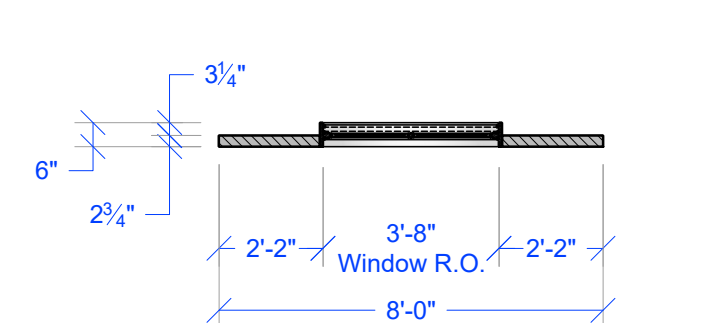
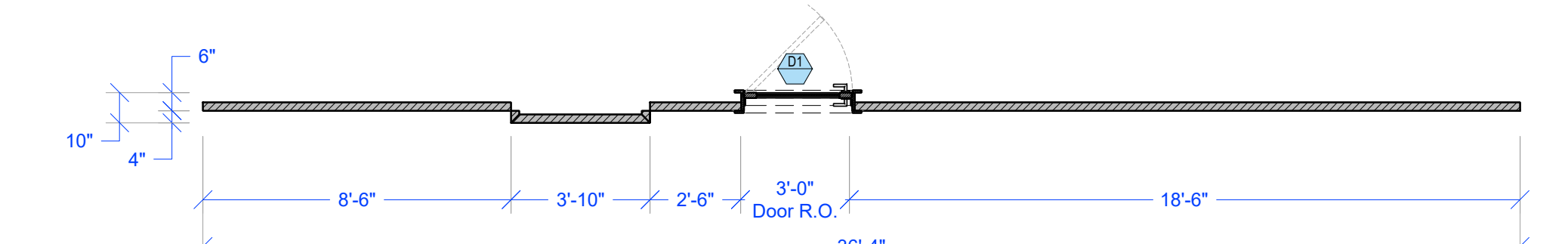
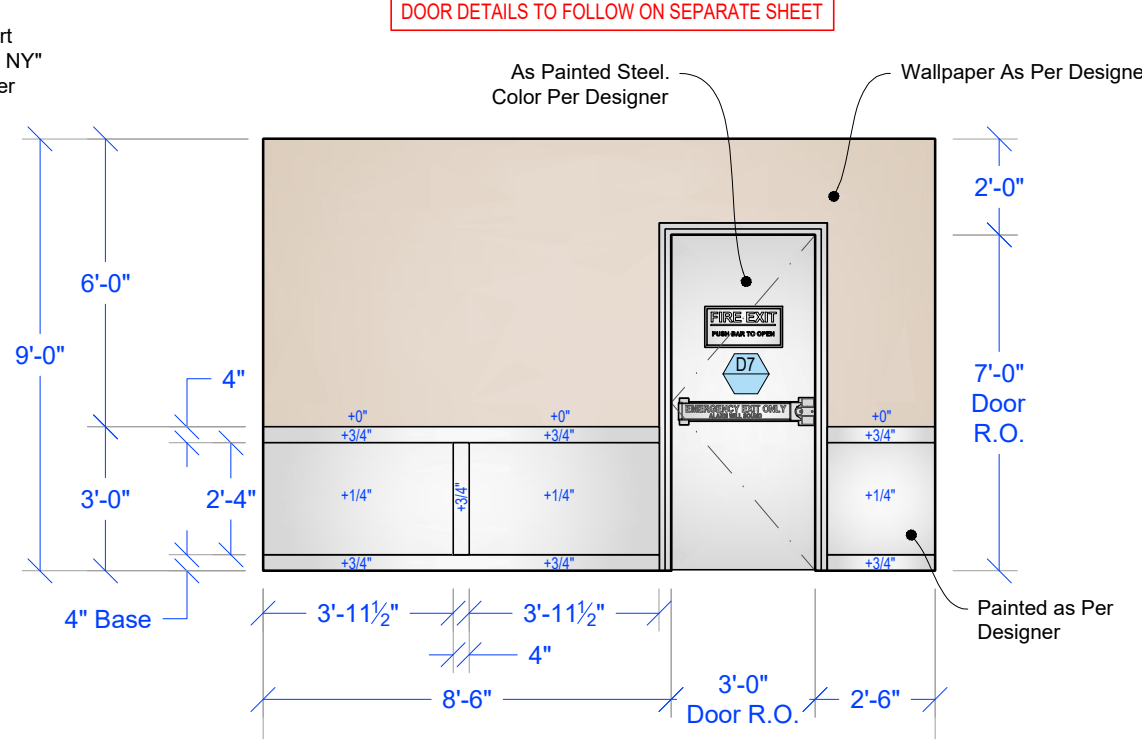
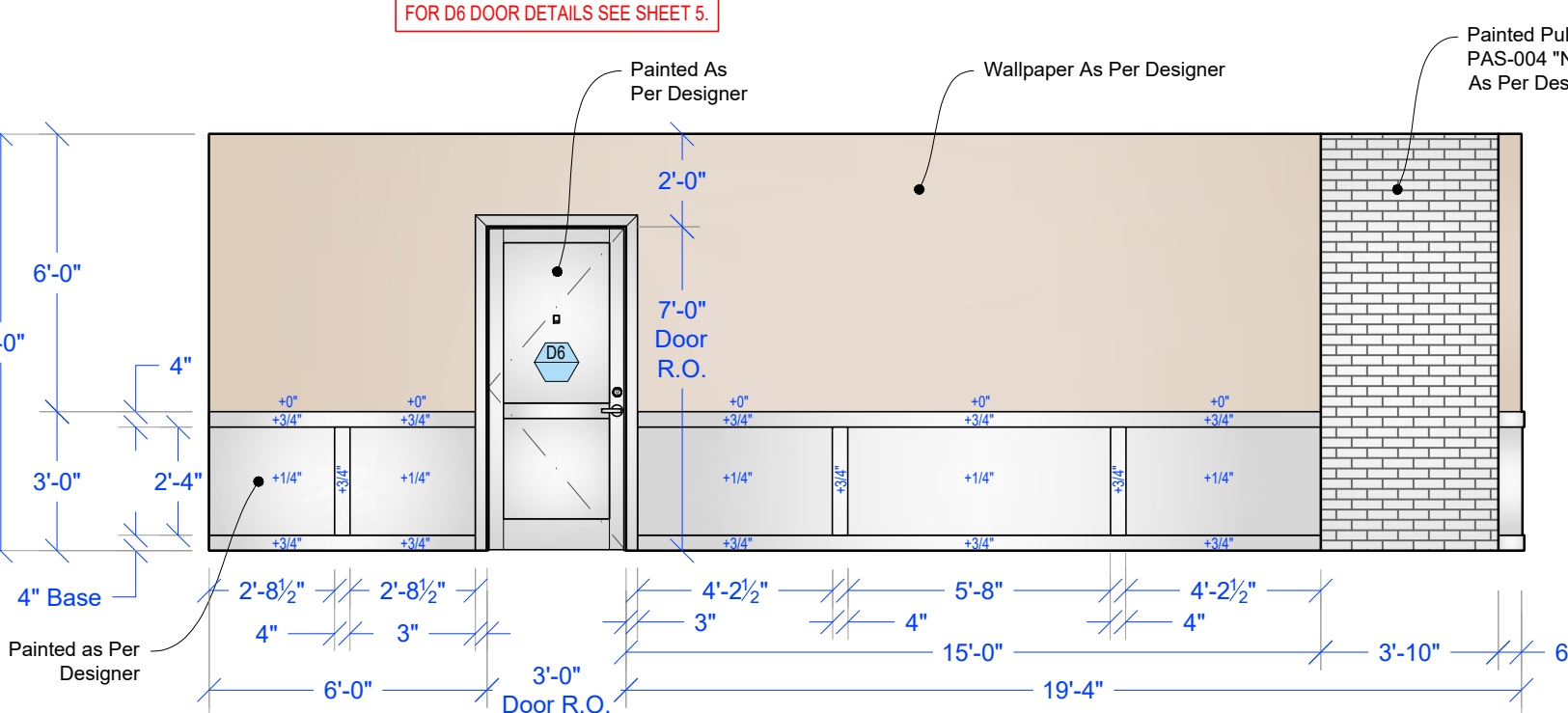
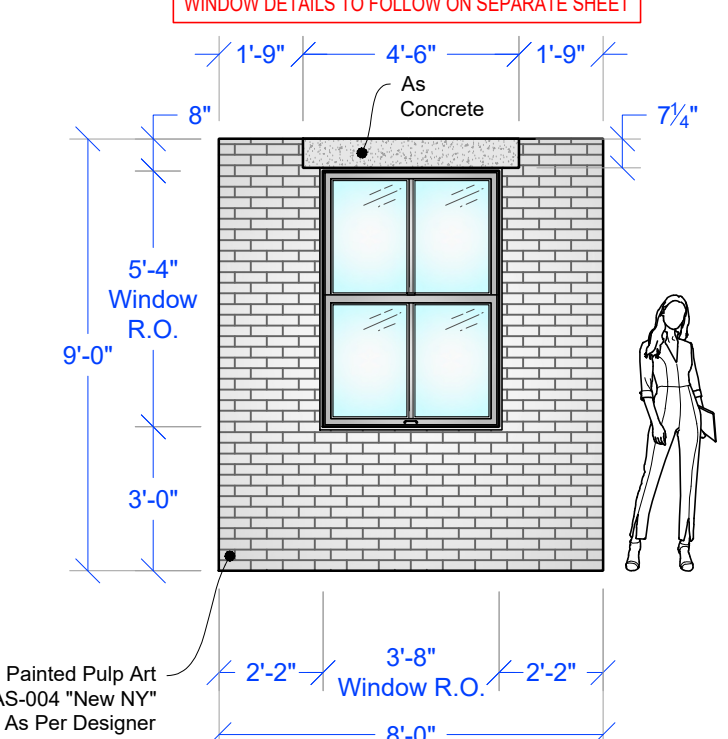
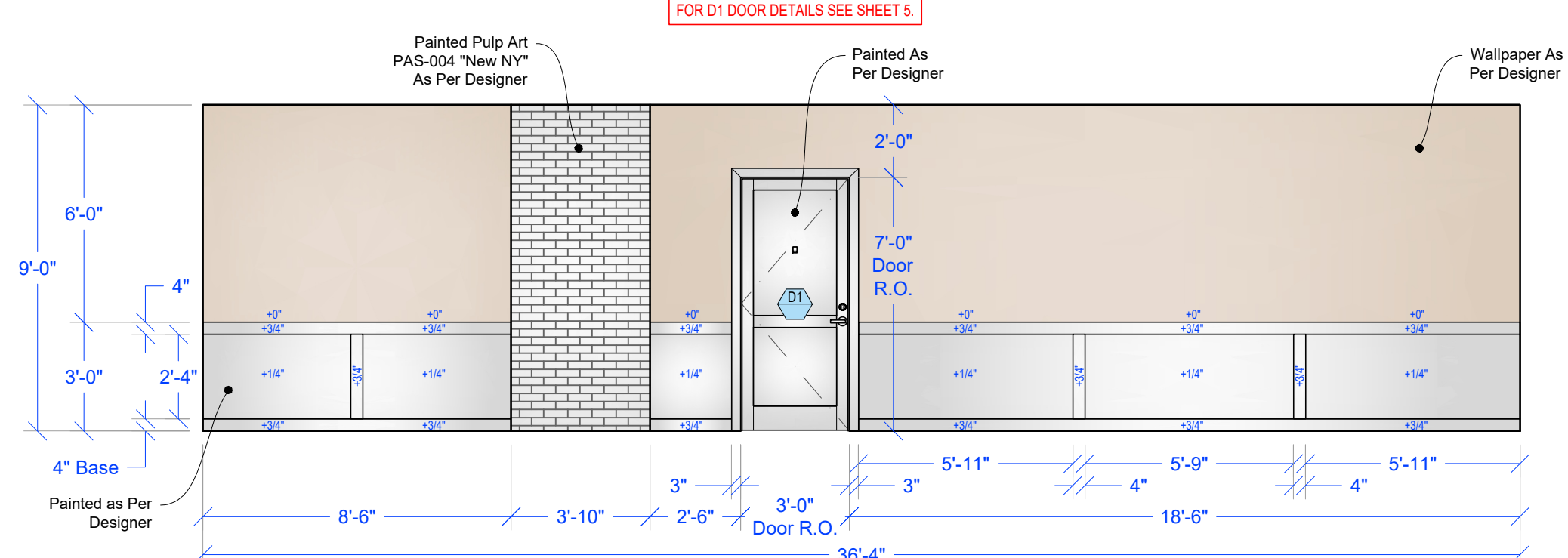
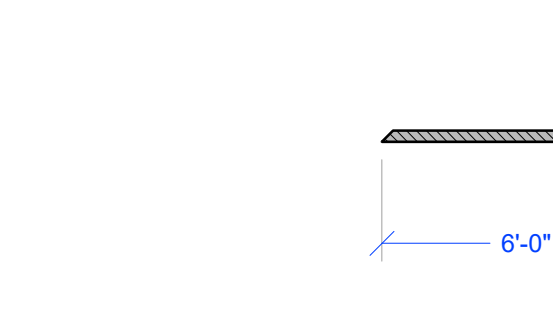
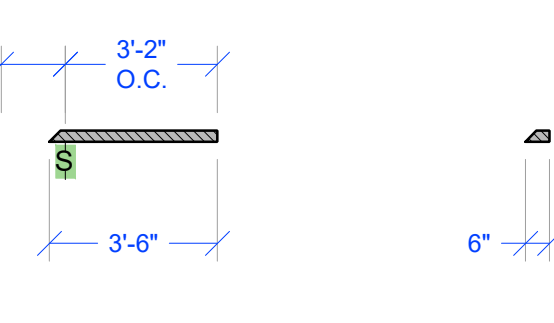
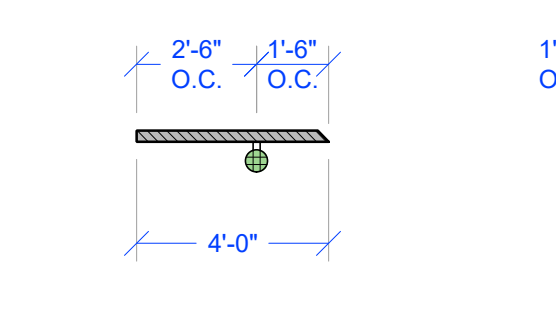
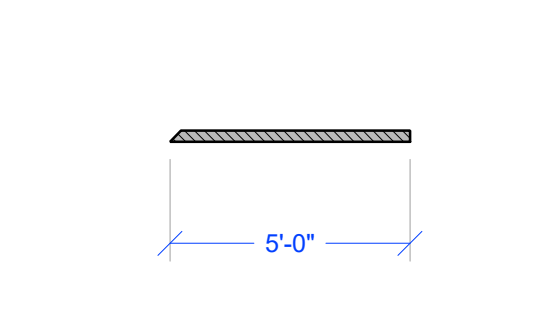
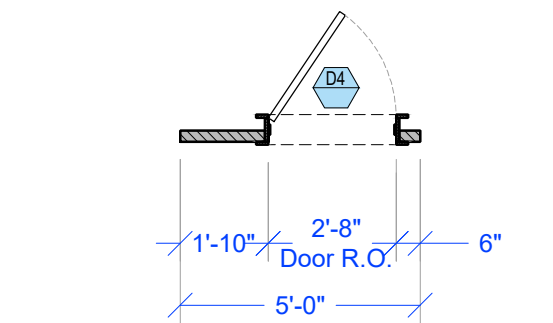
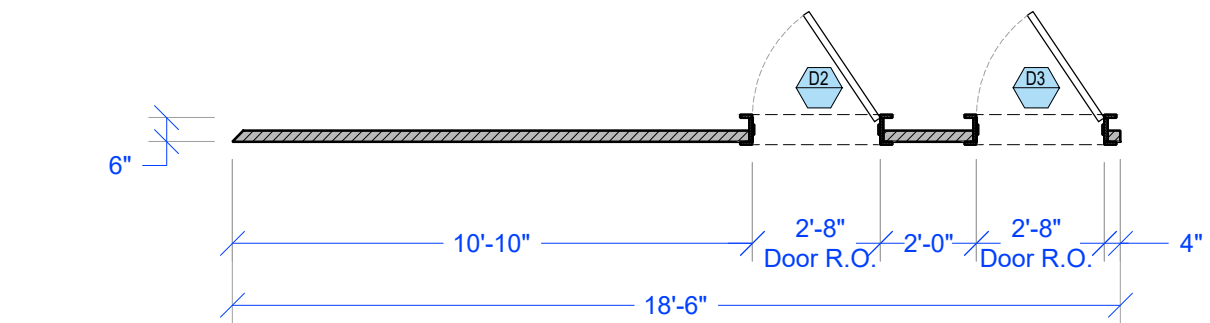
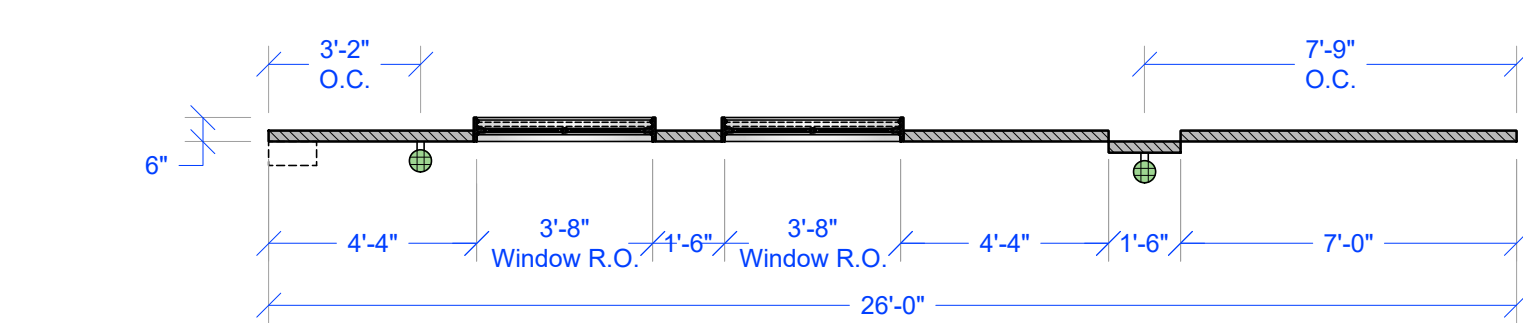
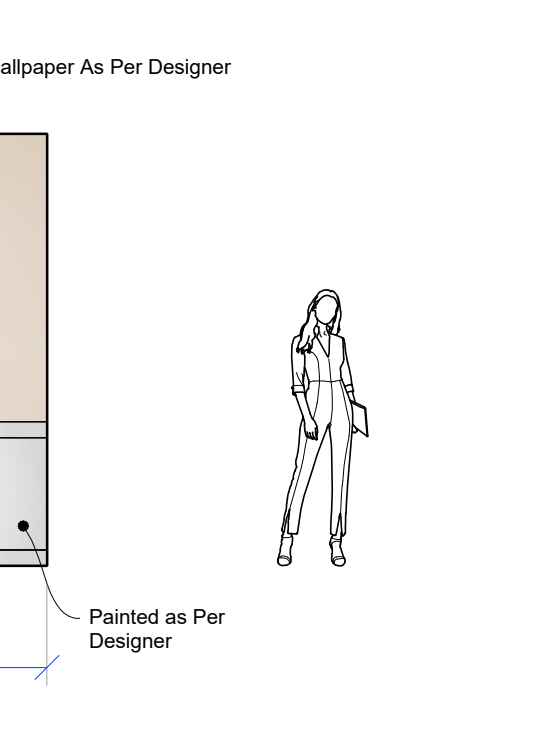
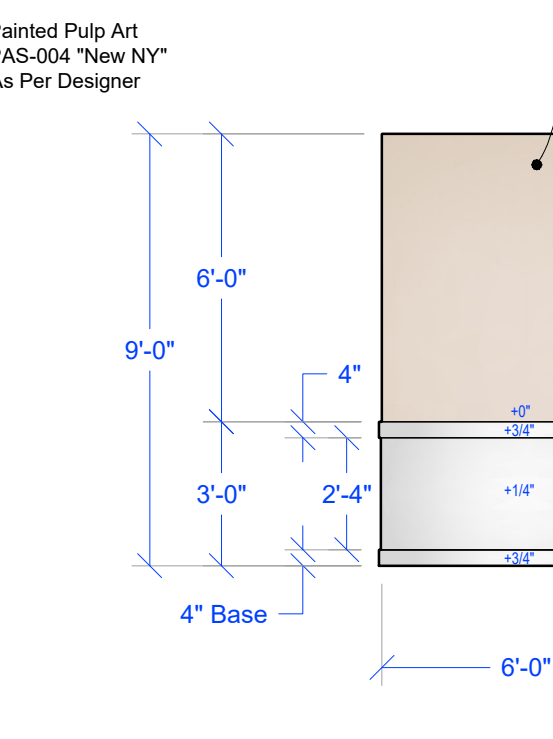
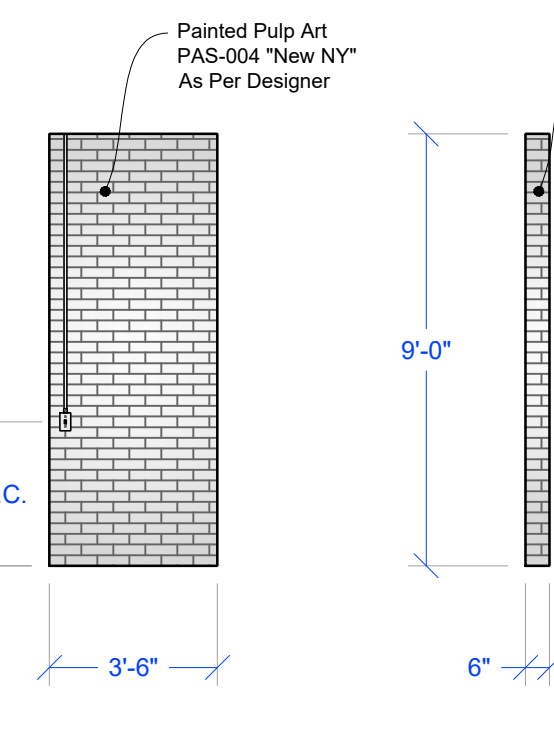
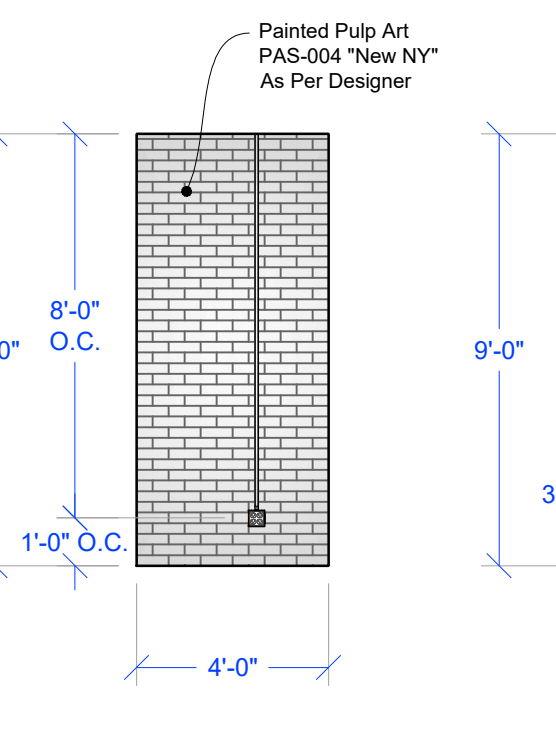
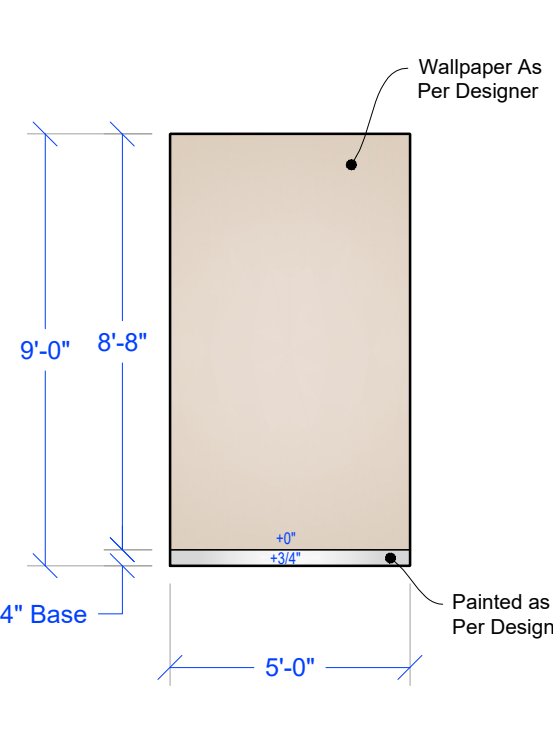
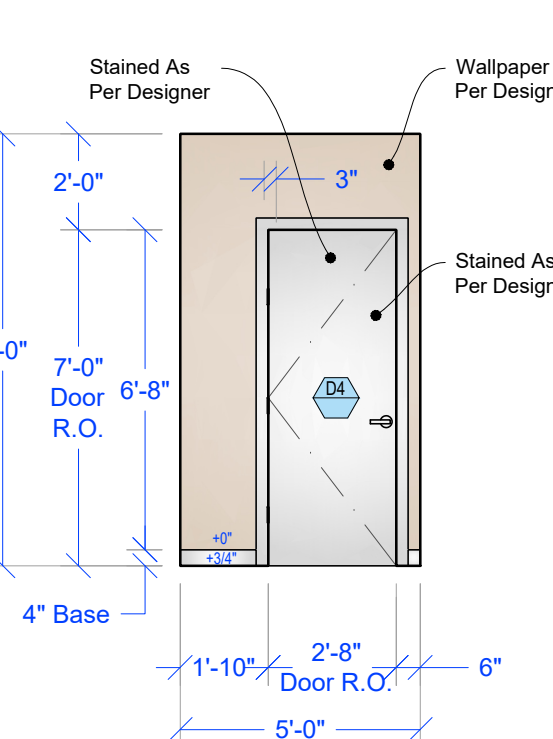
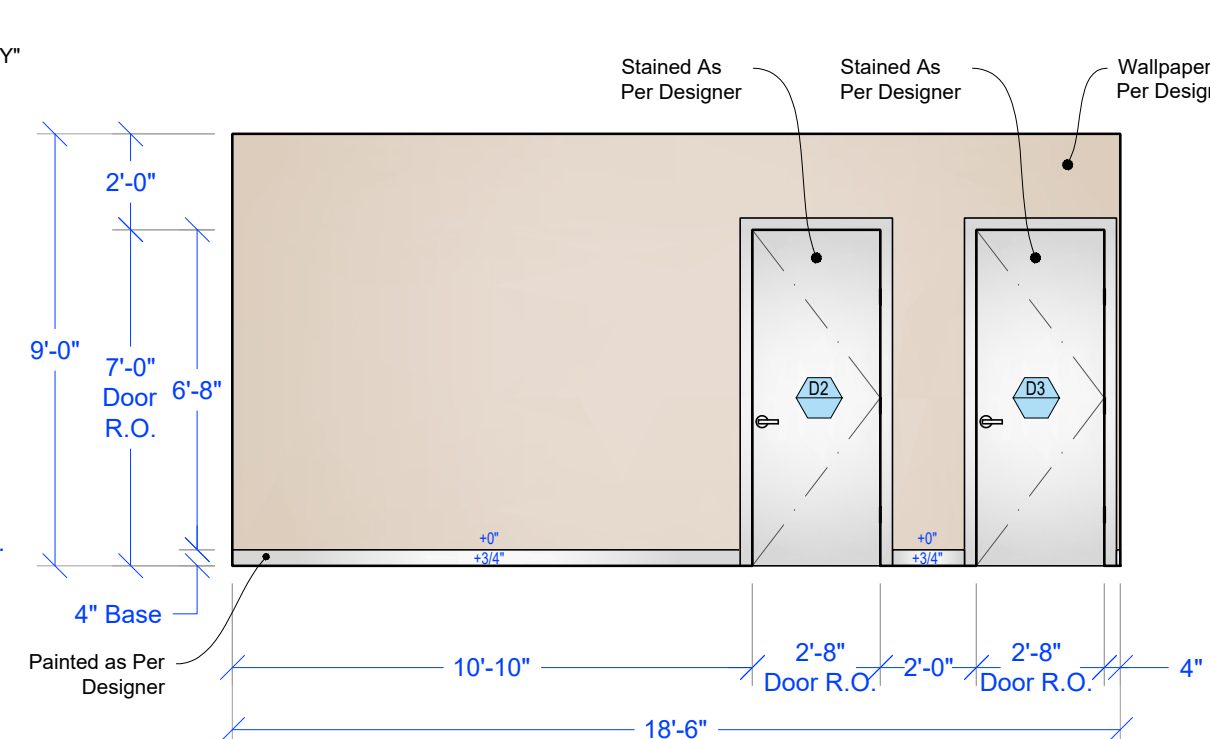
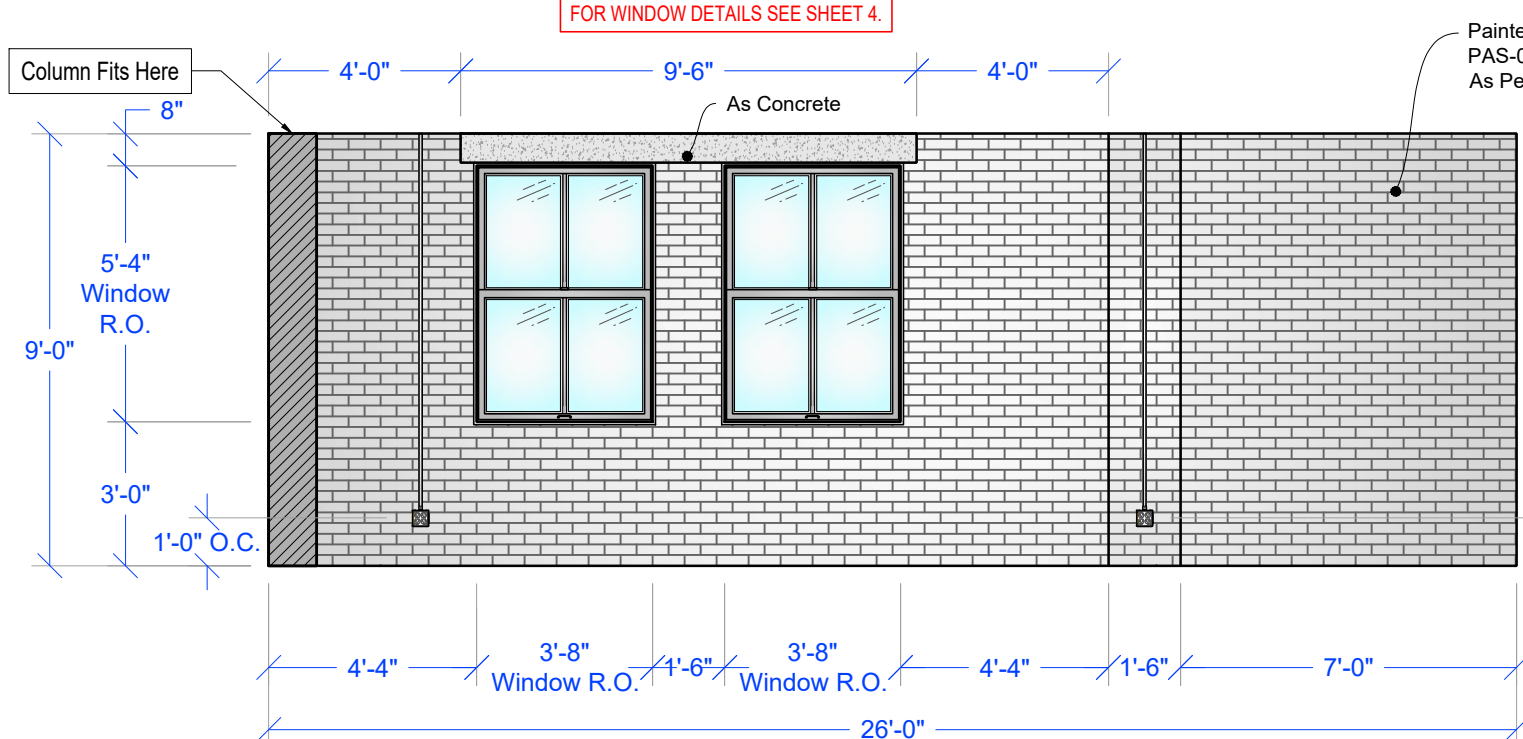
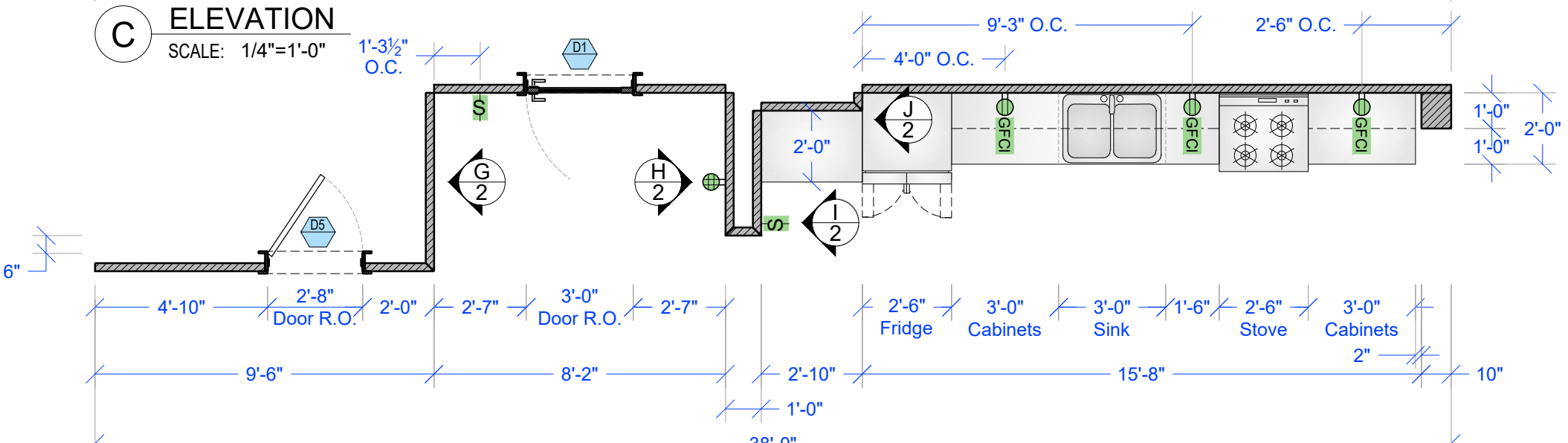
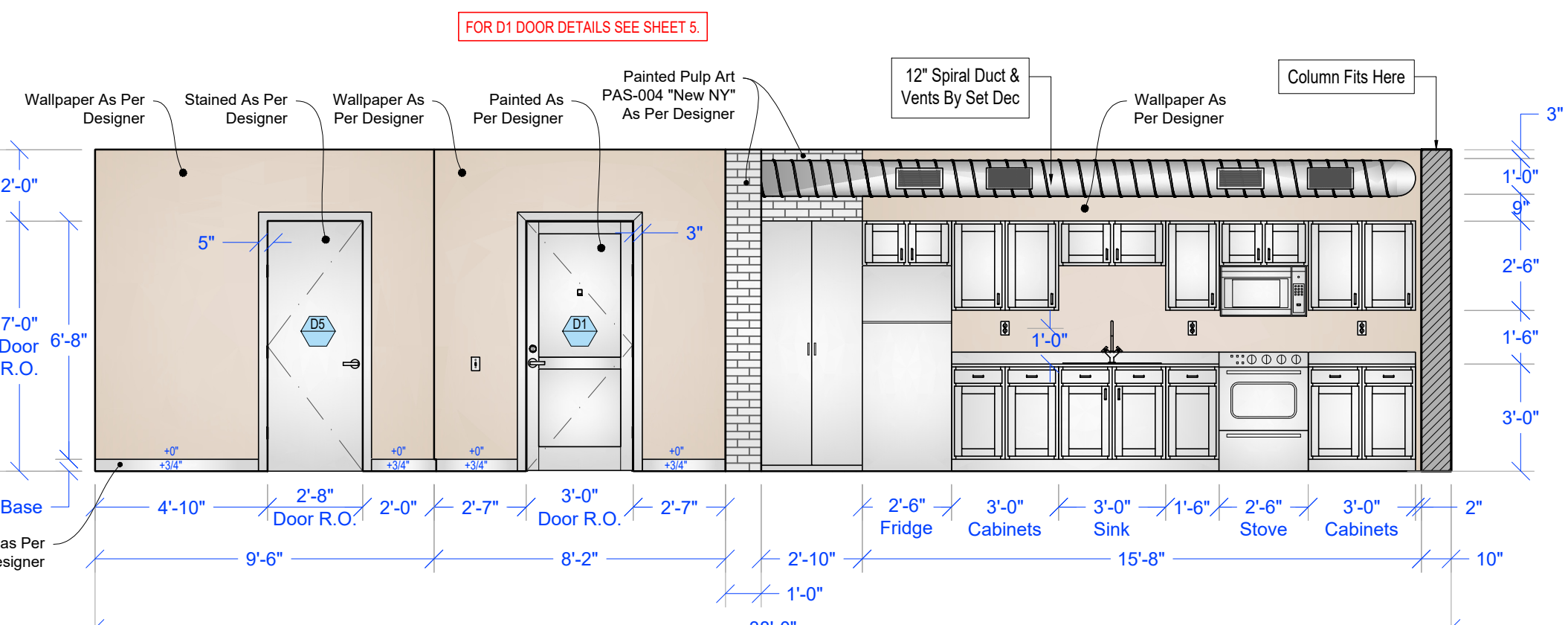
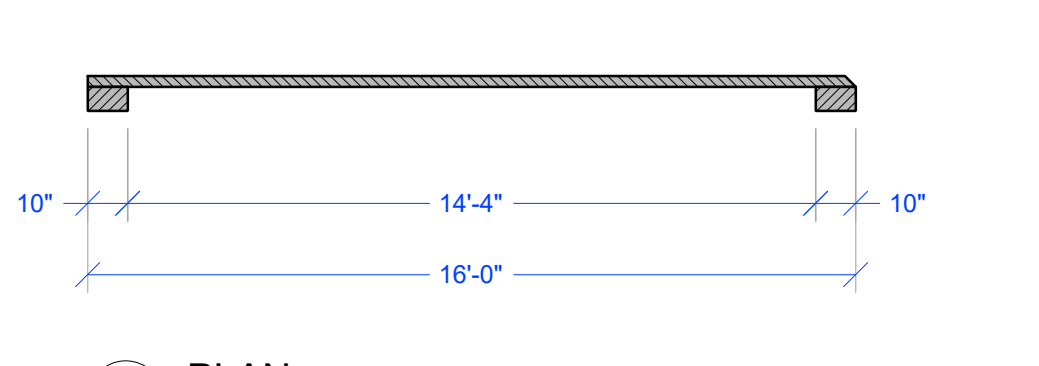
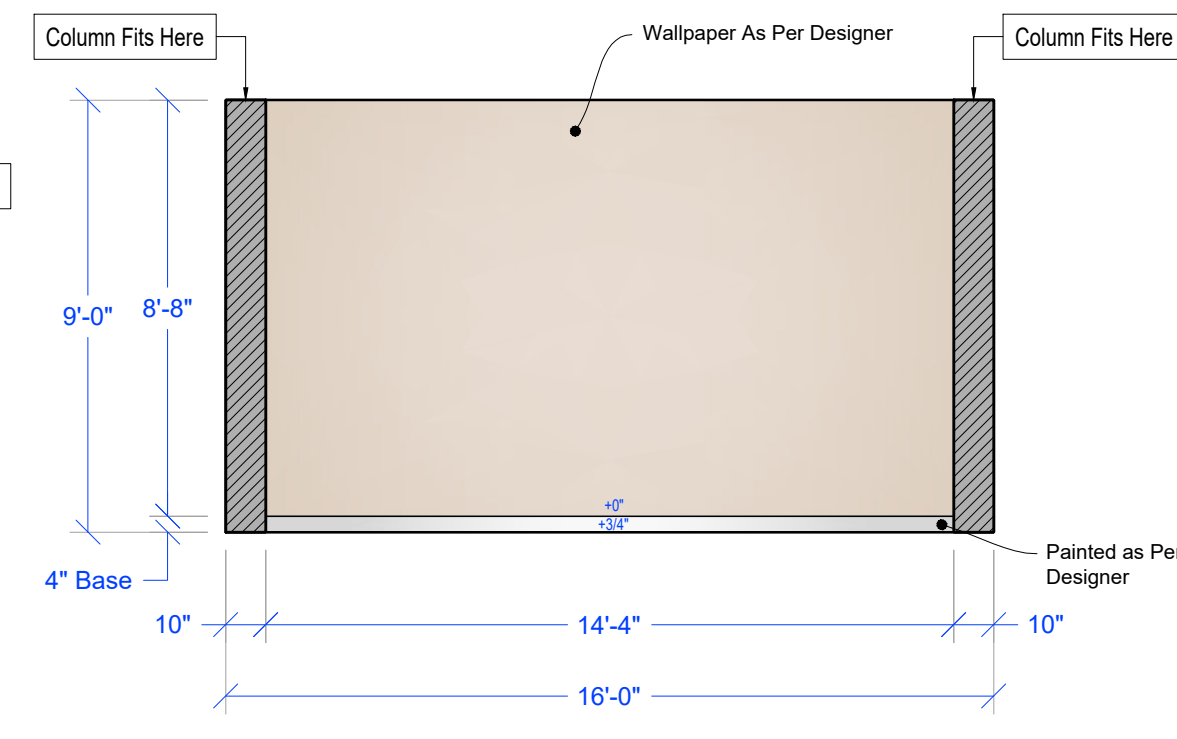
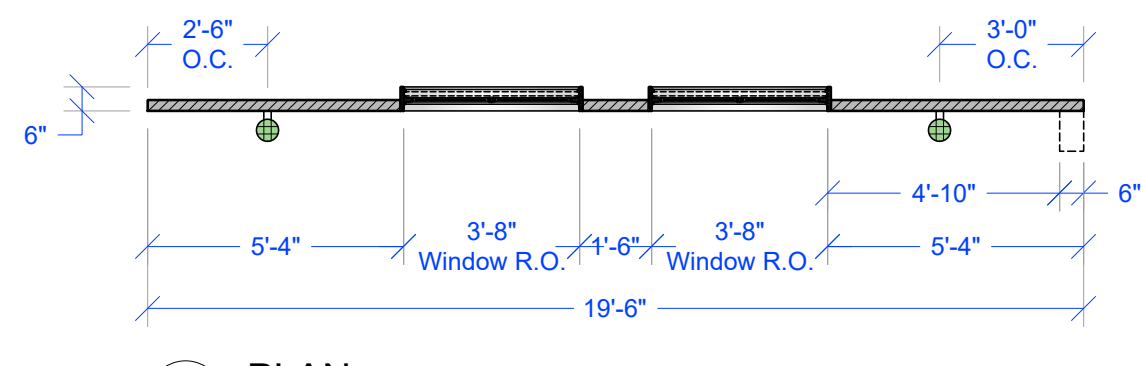
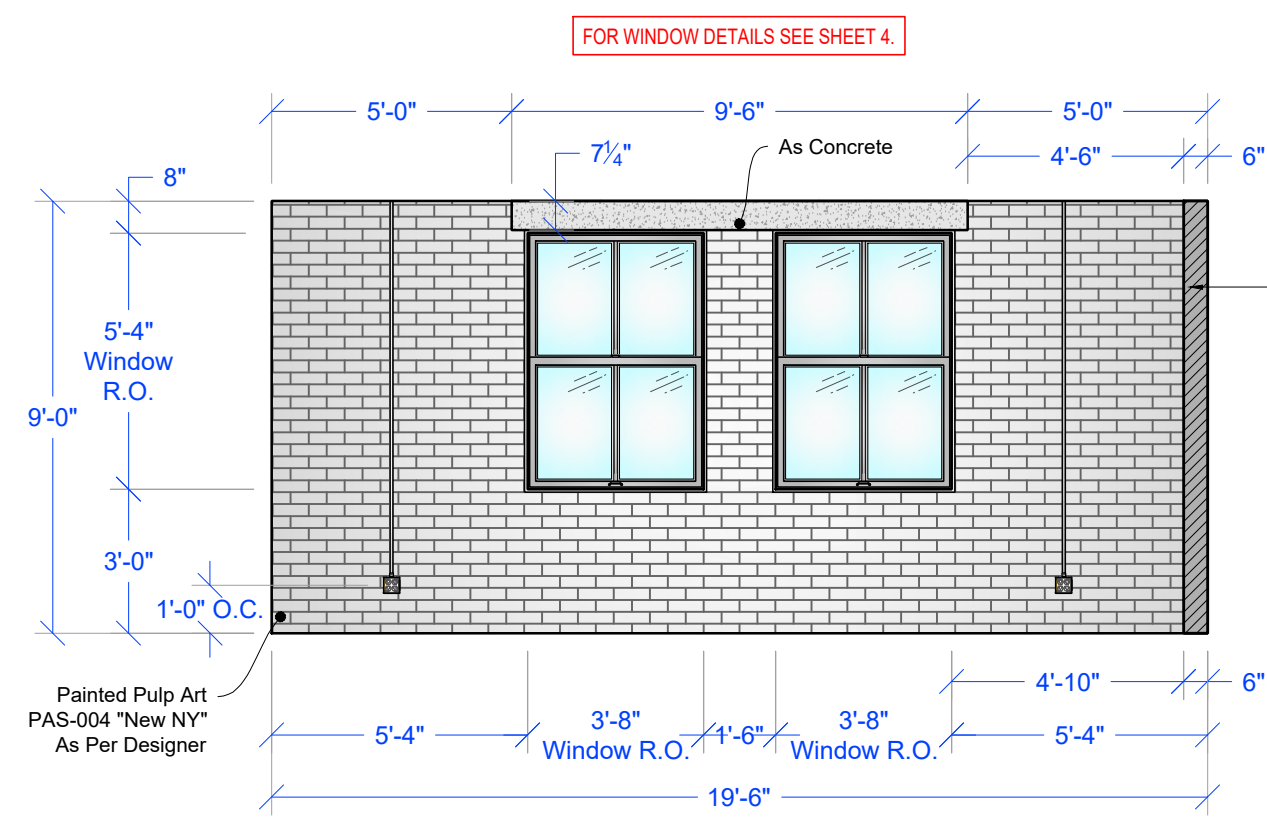
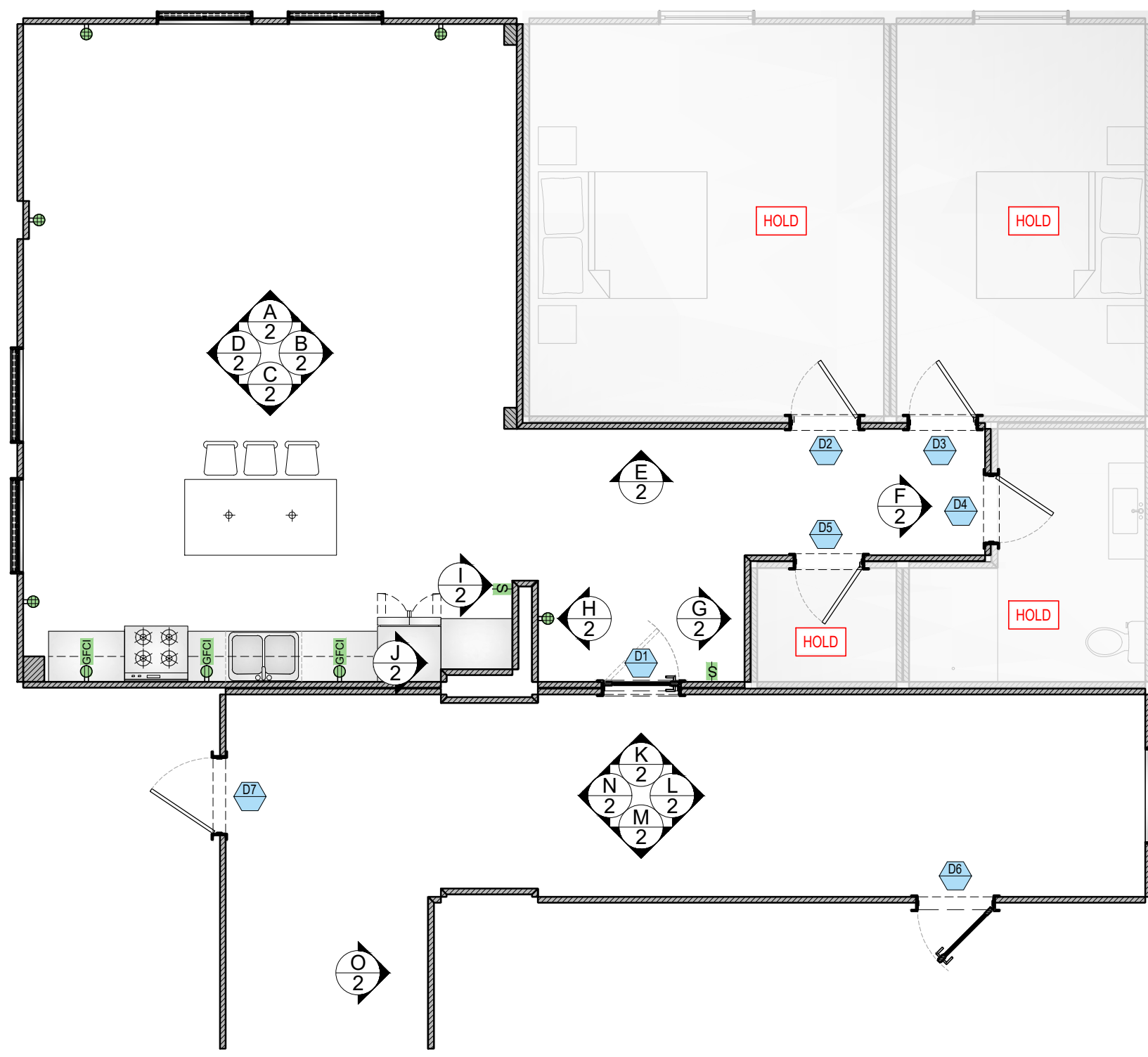
SET SKETCH  
SCALE: NOT TO SCALE



SET SKETCH  
SCALE: NOT TO SCALE

RELEASED 09/29/25

		DIRECTOR: THOR FREUDENTHAL PRODUCTION DESIGNER: ROSHELLE BERLINER ART DIRECTOR: BRADLEY SCHMIDT SET DECORATOR: SHANNON NALLAN	
SET TITLE:	INT. BEX'S APT. & HALLWAY	SET #	23
DRAWING:	SET PLAN & FLOORING PLAN	SHEET #	1
LOCATION:	BROADWAY STAGES - STAGE 28		
SCALE:	1/4"=1'-0"	DRAWN BY:	COLT F.
RELEASE DATE:	09-29-25	EPISODE:	203



**RELEASED 09/29/25**

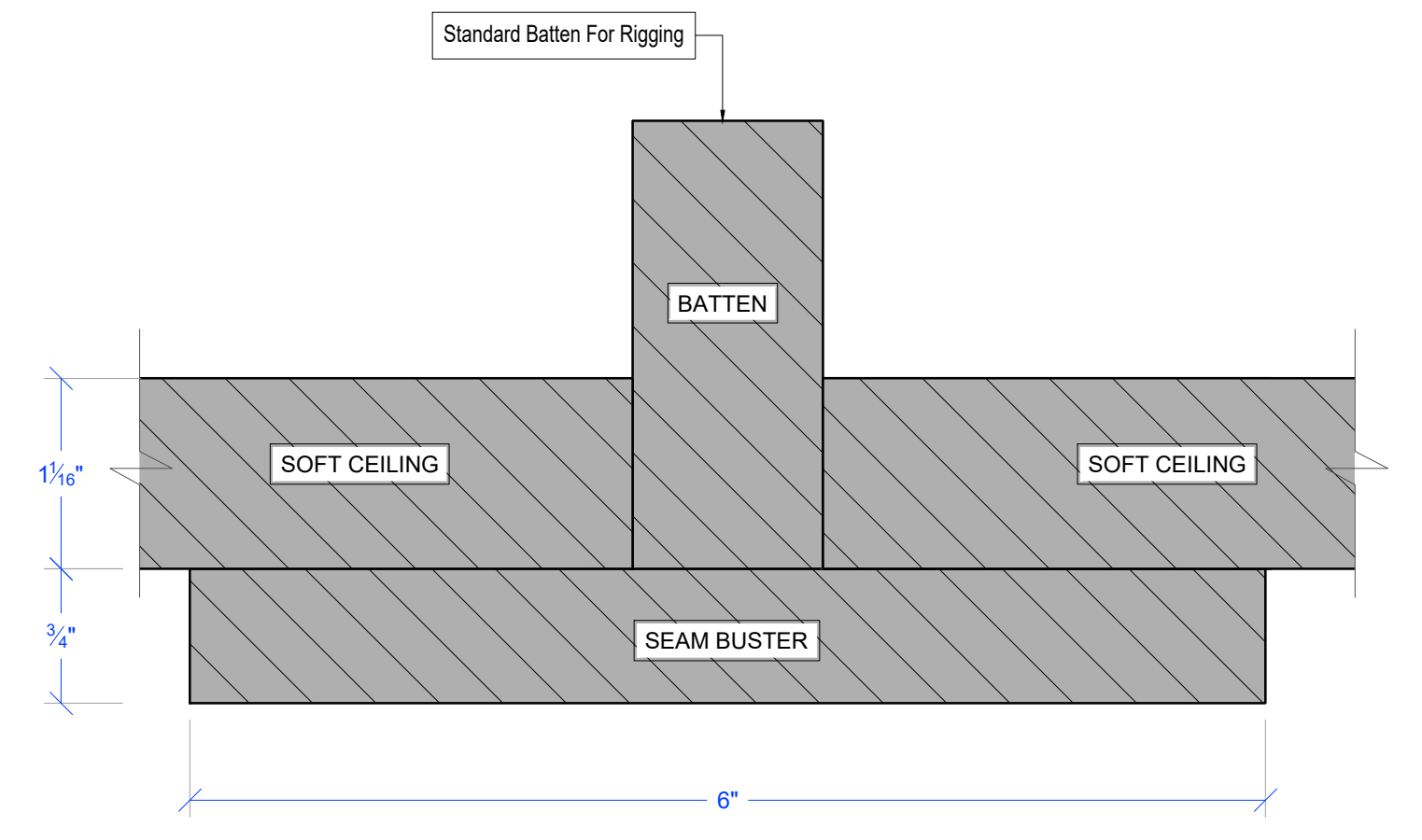
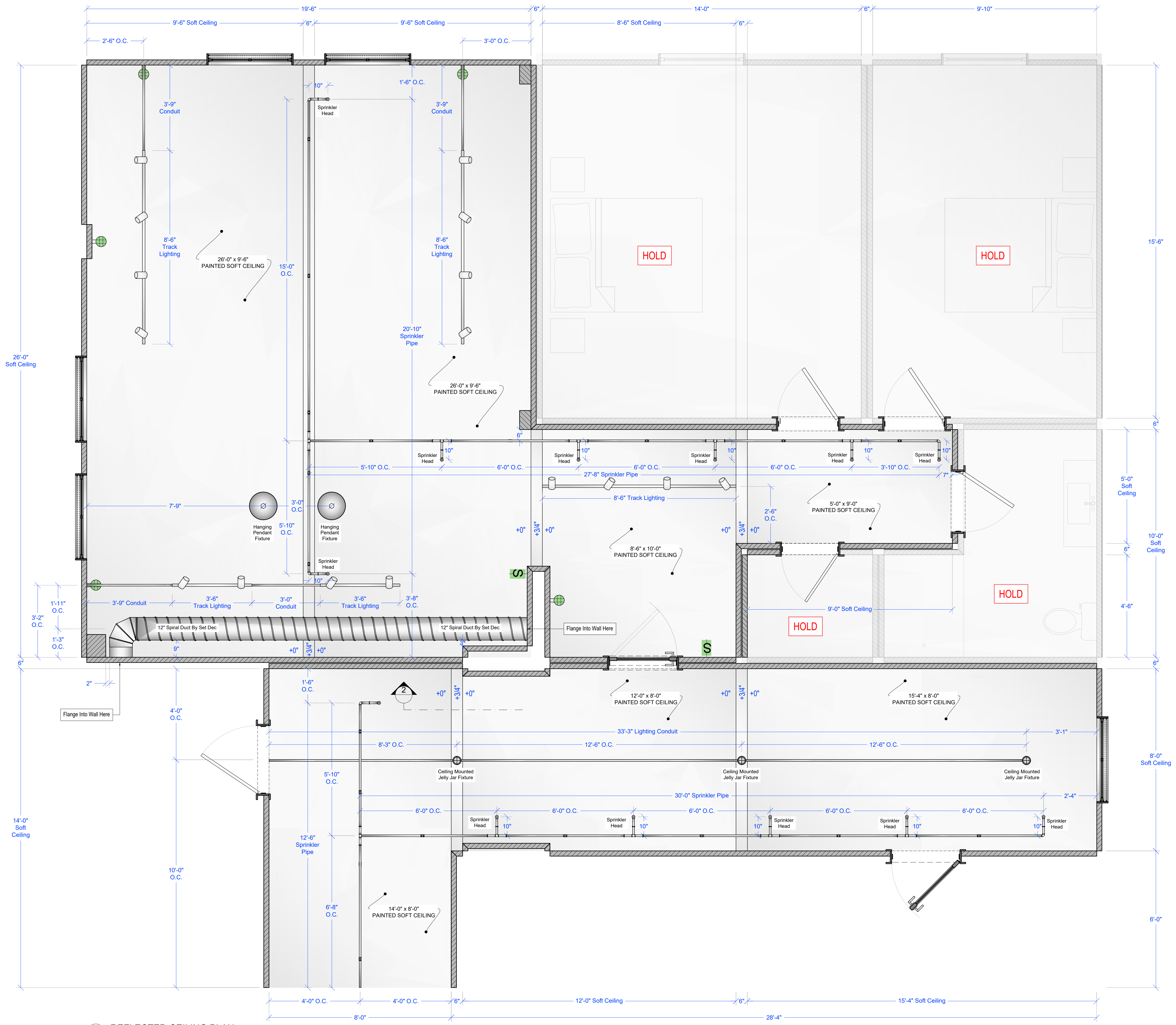
**The Hunting Party**  
SEASON 2 - NYC

DIRECTOR: THOR FREUDENTHAL  
PRODUCTION DESIGNER: ROSHELLE BERLINER  
ART DIRECTOR: BRADLEY SCHMIDT  
SET DECORATOR: SHANNON NALLAN


SET TITLE: INT. BEX'S APT. & HALLWAY  
DRAWING: ELEVATIONS "A" THRU "N"  
LOCATION: BROADWAY STAGES - STAGE 28  
SCALE: AS NOTED  
RELEASE DATE: 09-29-25

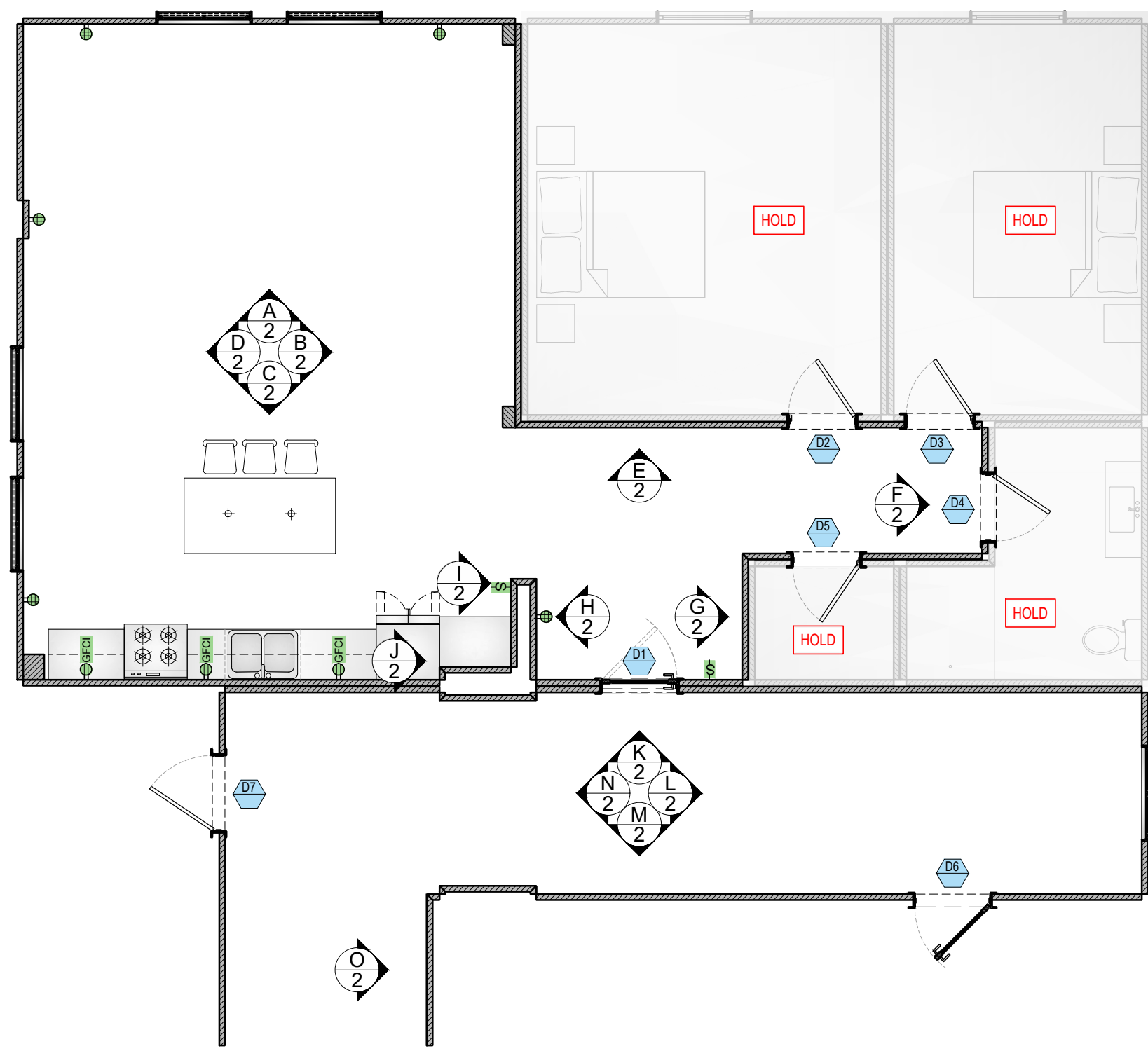
DRAWN BY: COLT F.  
EPISODE: 203

SET # 23  
SHEET # 2

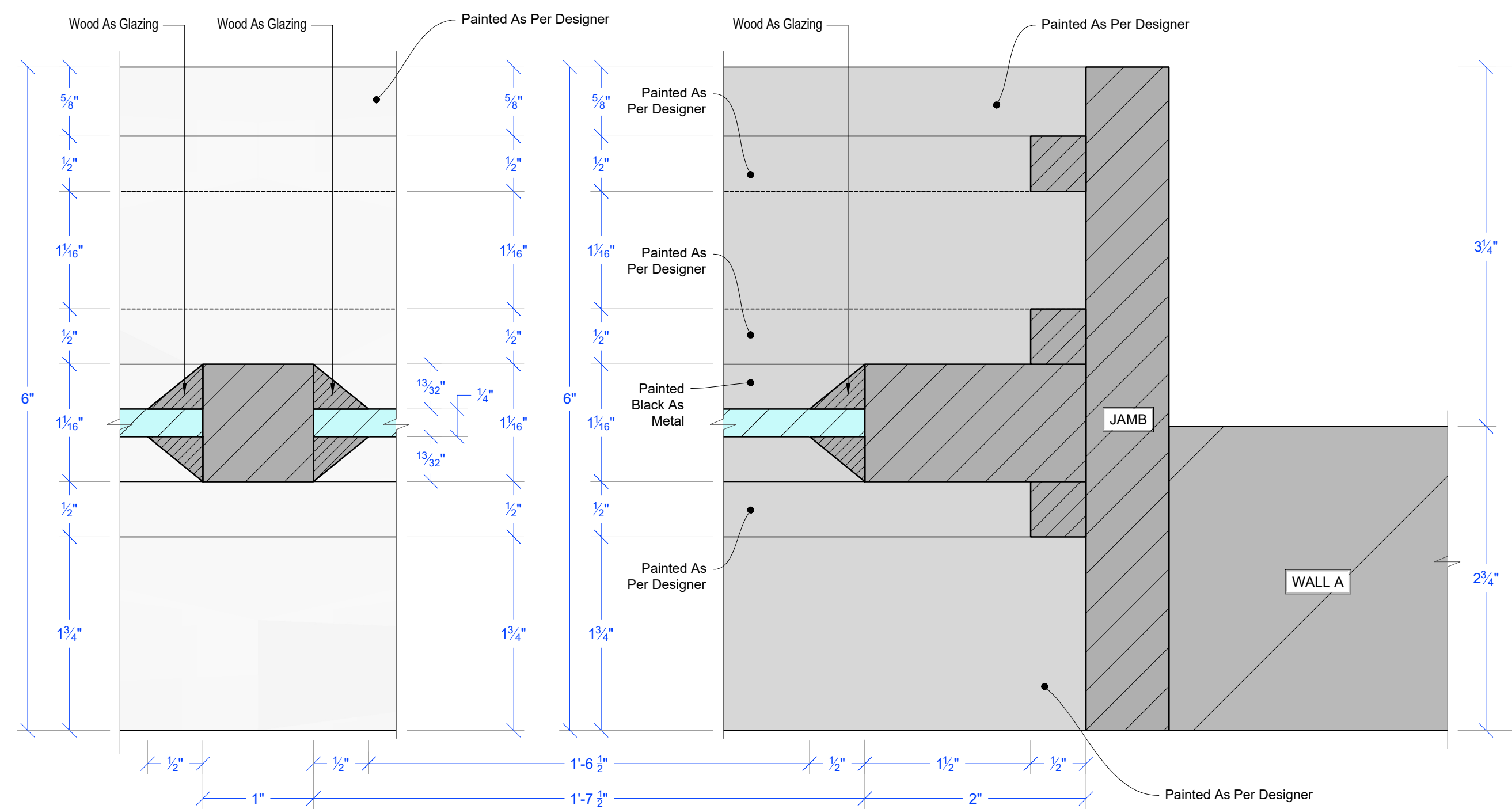


**RELEASED 09/29/25**

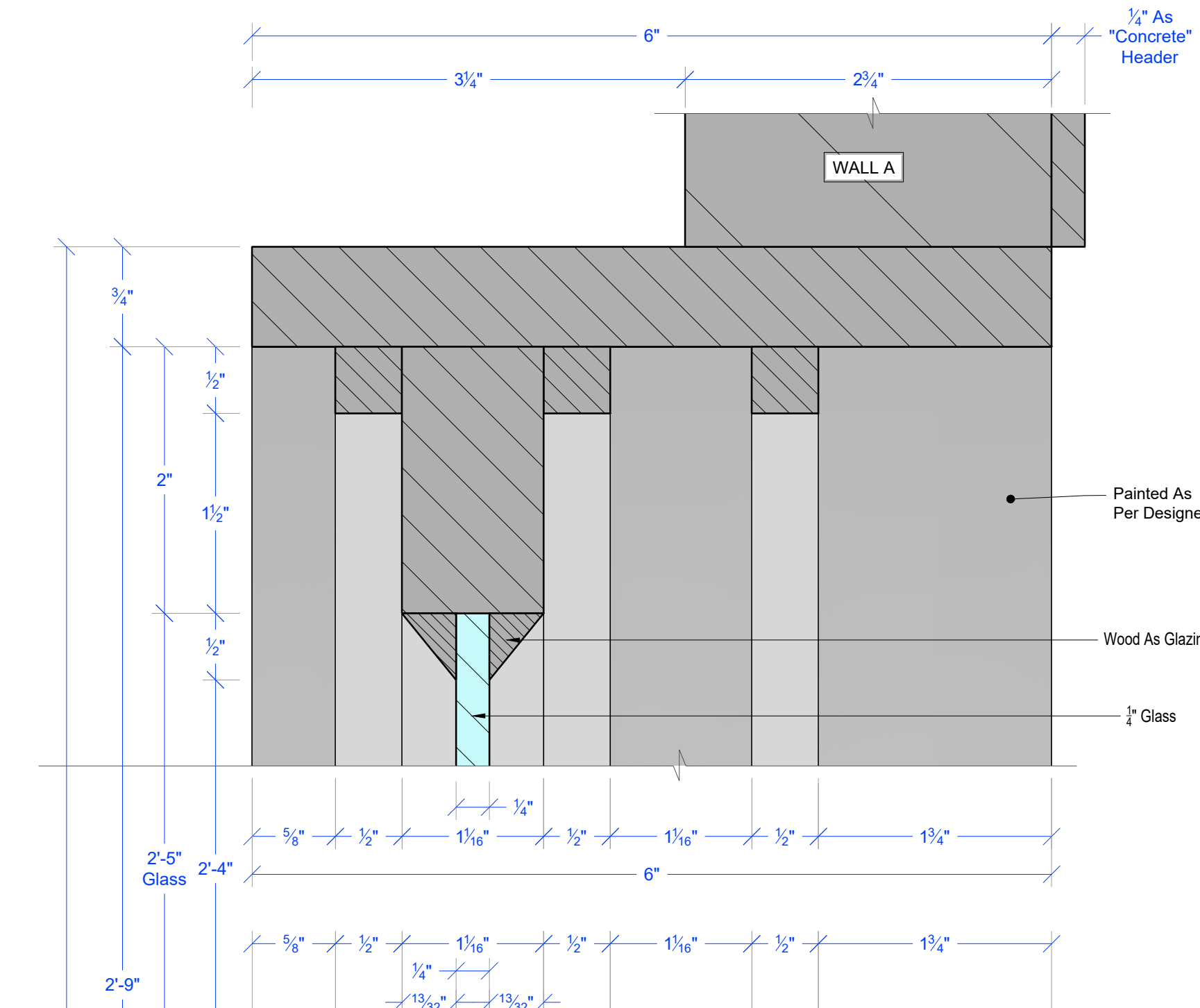
		DIRECTOR: THOR FREUDENTHAL PRODUCTION DESIGNER: ROSHELLE BERLINER ART DIRECTOR: BRADLEY SCHMIDT SET DECORATOR: SHANNON NALLAN	
SET TITLE:	INT. BEX'S APT. & HALLWAY	SET #	23
DRAWING:	REFLECTED CEILING PLAN	SHEET #	3
LOCATION:	BROADWAY STAGES - STAGE 28	SCALE:	1/4"=1'-0"
RELEASE DATE:	09-29-25	DRAWN BY:	COLT F.
		EPISODE:	203



**1 KEY PLAN**  
SCALE: 3/16"=1'-0"



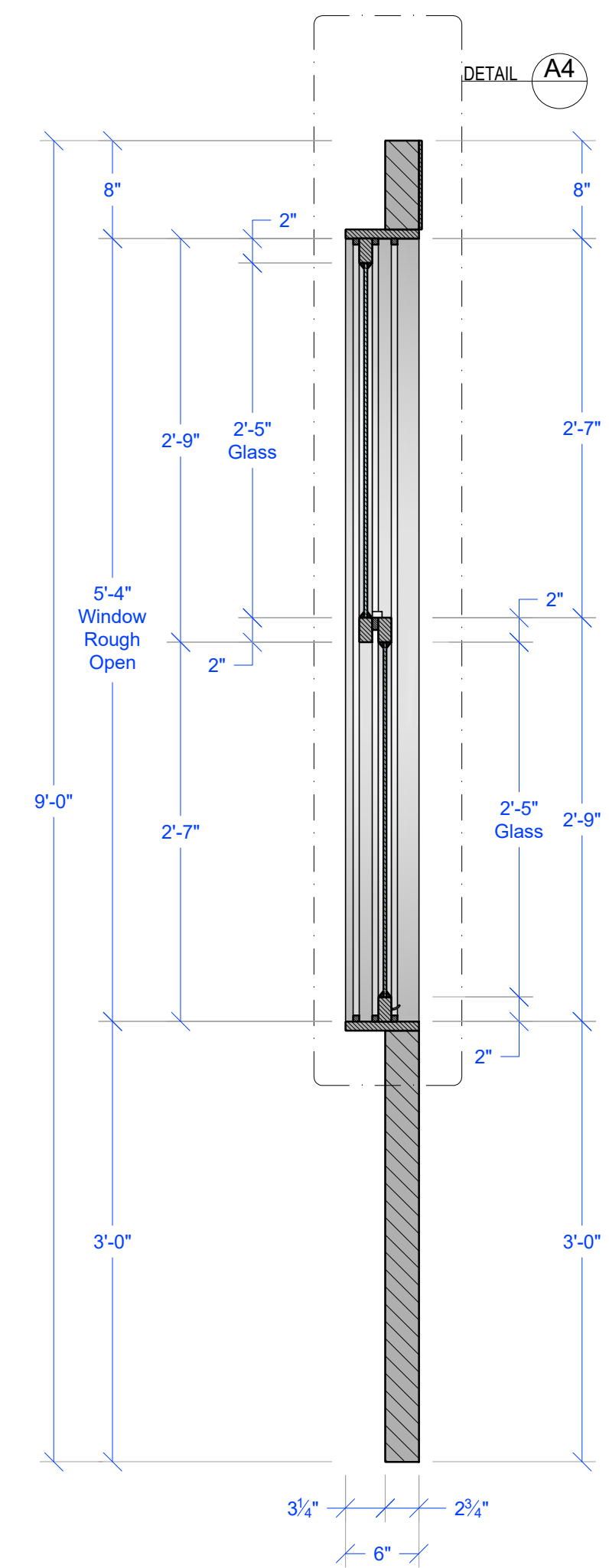
**A5 SECTION DETAIL**  
SCALE: FULL SCALE



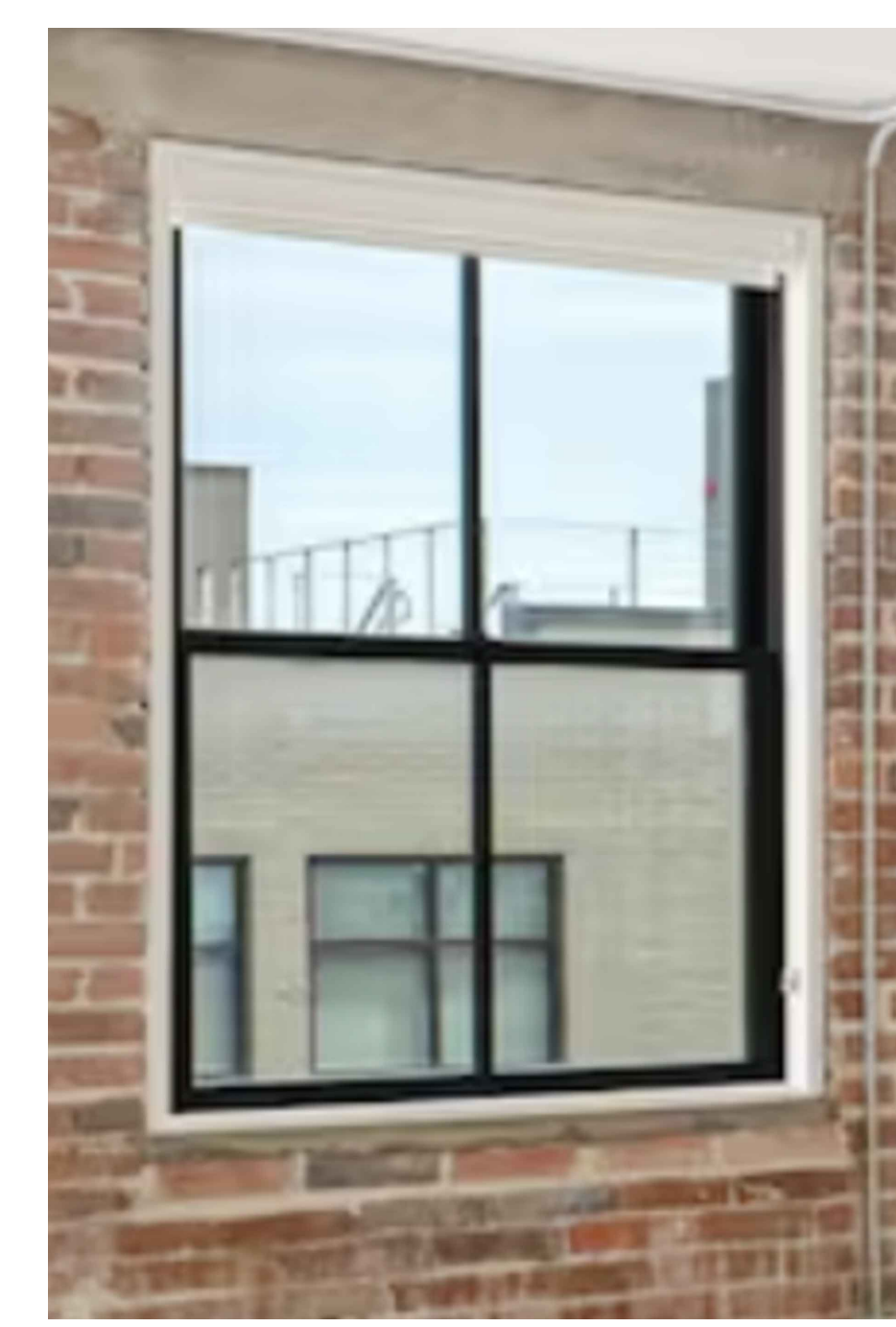
**A4 SECTION DETAIL**  
SCALE: FULL SCALE



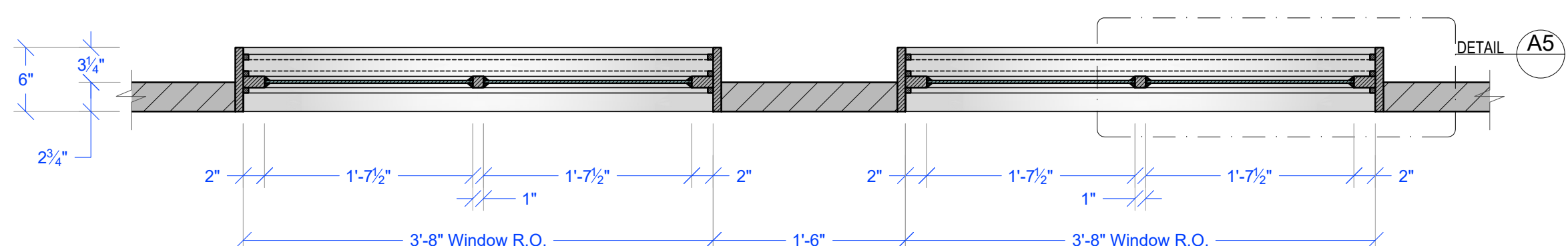
**A ELEVATION**  
SCALE: 1"=1'-0"



**A3 SECTION**  
SCALE: 1"=1'-0"



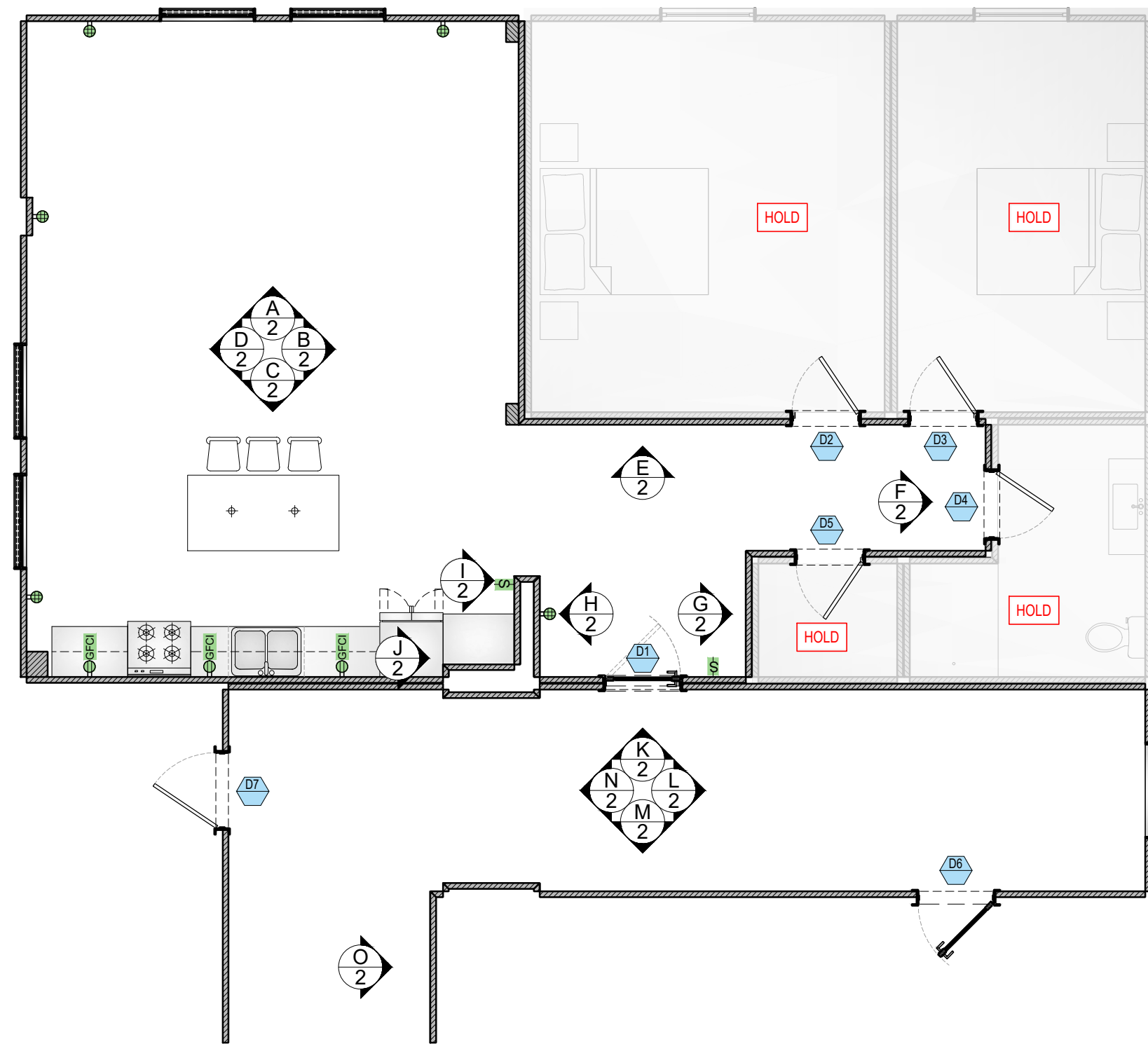
REFERENCE IMAGE



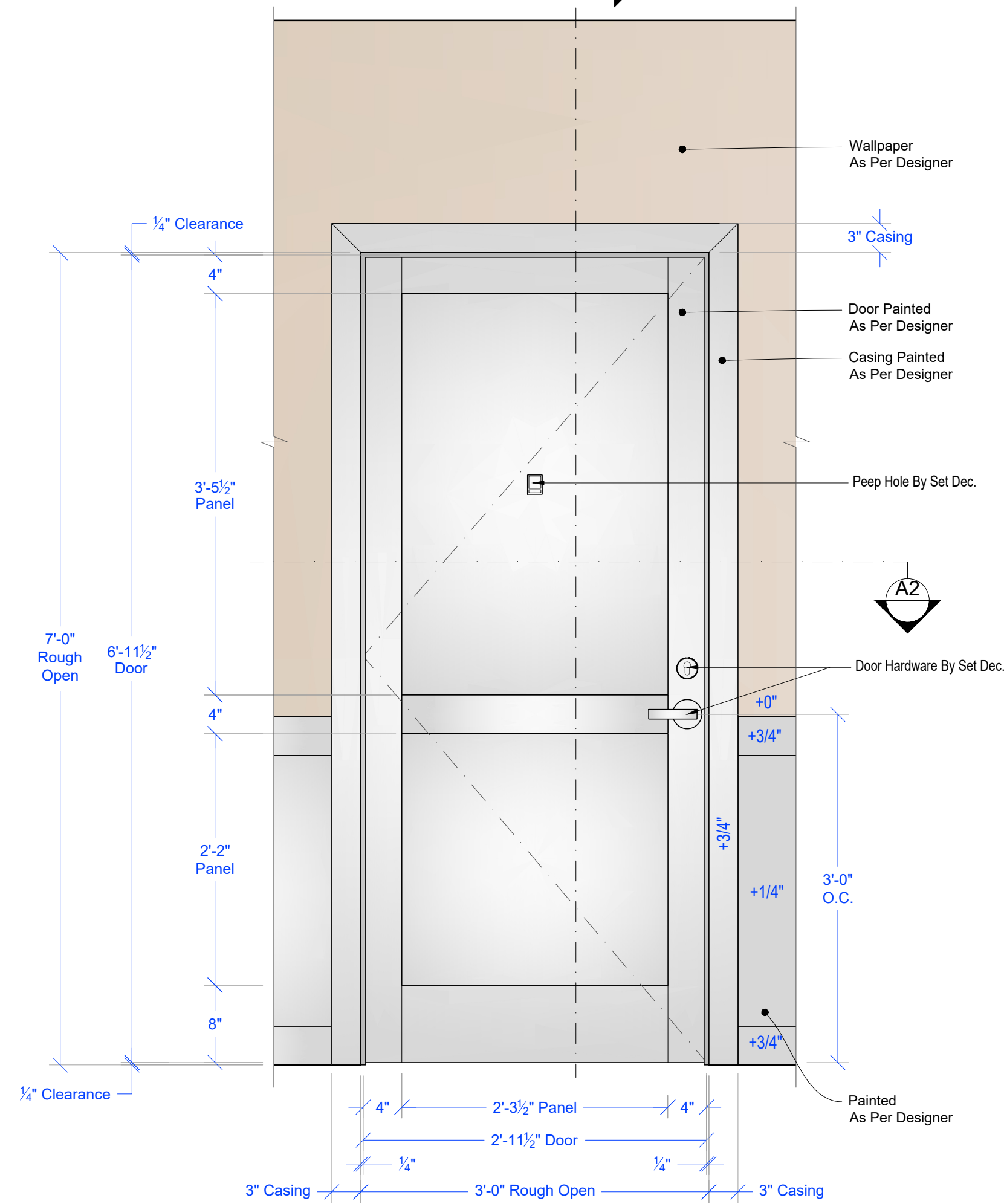
**A2 PLAN**  
SCALE: 1"=1'-0"

**RELEASED 09/29/25**

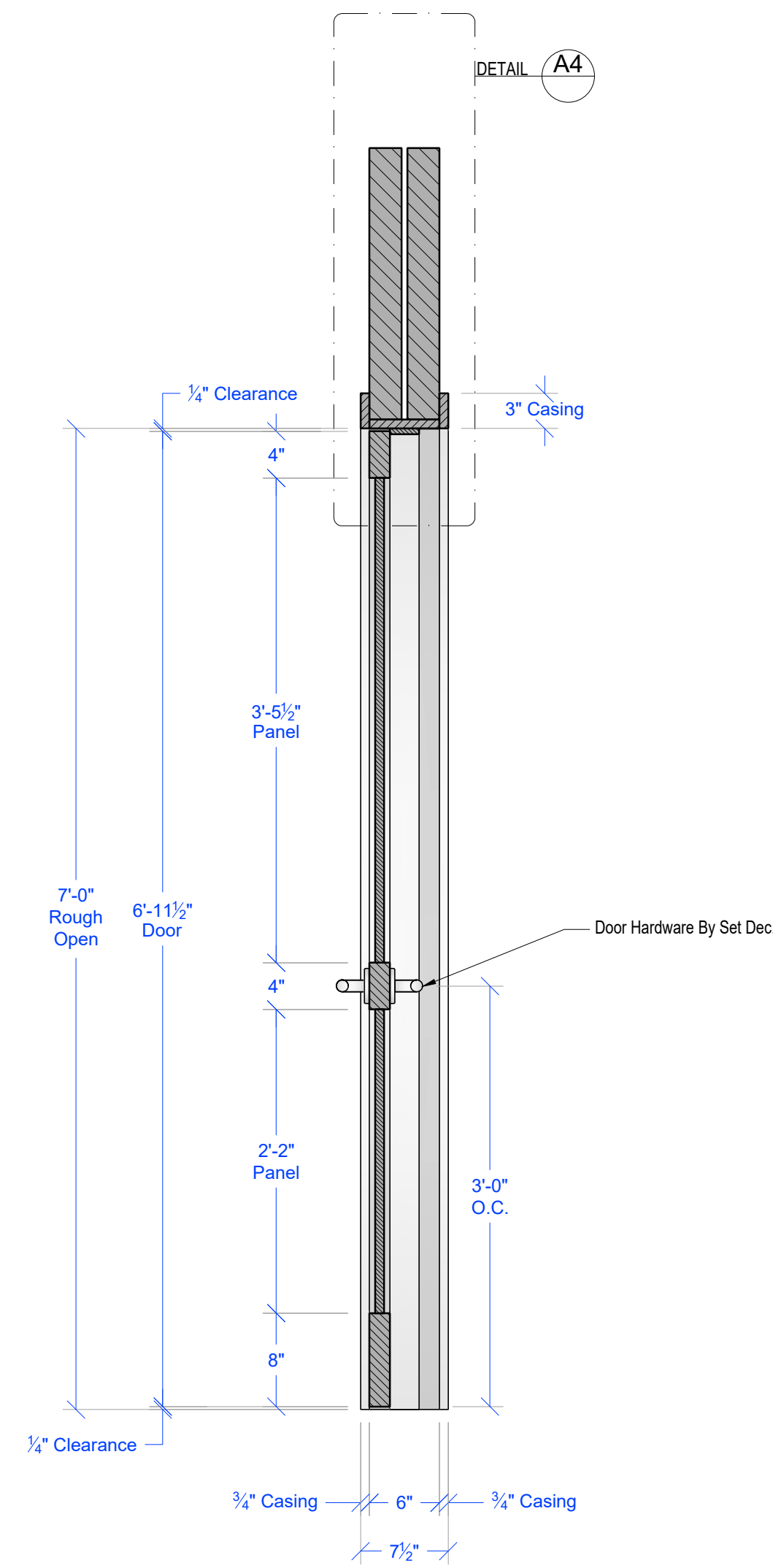
		DIRECTOR: THOR FREUDENTHAL PRODUCTION DESIGNER: ROSHELLE BERLINER ART DIRECTOR: BRADLEY SCHMIDT SET DECORATOR: SHANNON NALLAN	
SET TITLE:	INT. BEX'S APT. & HALLWAY	SET #	23
DRAWING:	WINDOW DETAILS	SHEET #	4
LOCATION:	BROADWAY STAGES - STAGE 28		
SCALE:	AS NOTED	DRAWN BY:	COLT F.
RELEASE DATE:	09-29-25	EPISODE:	203



**1 KEY PLAN**  
SCALE: 3/16"=1'-0"



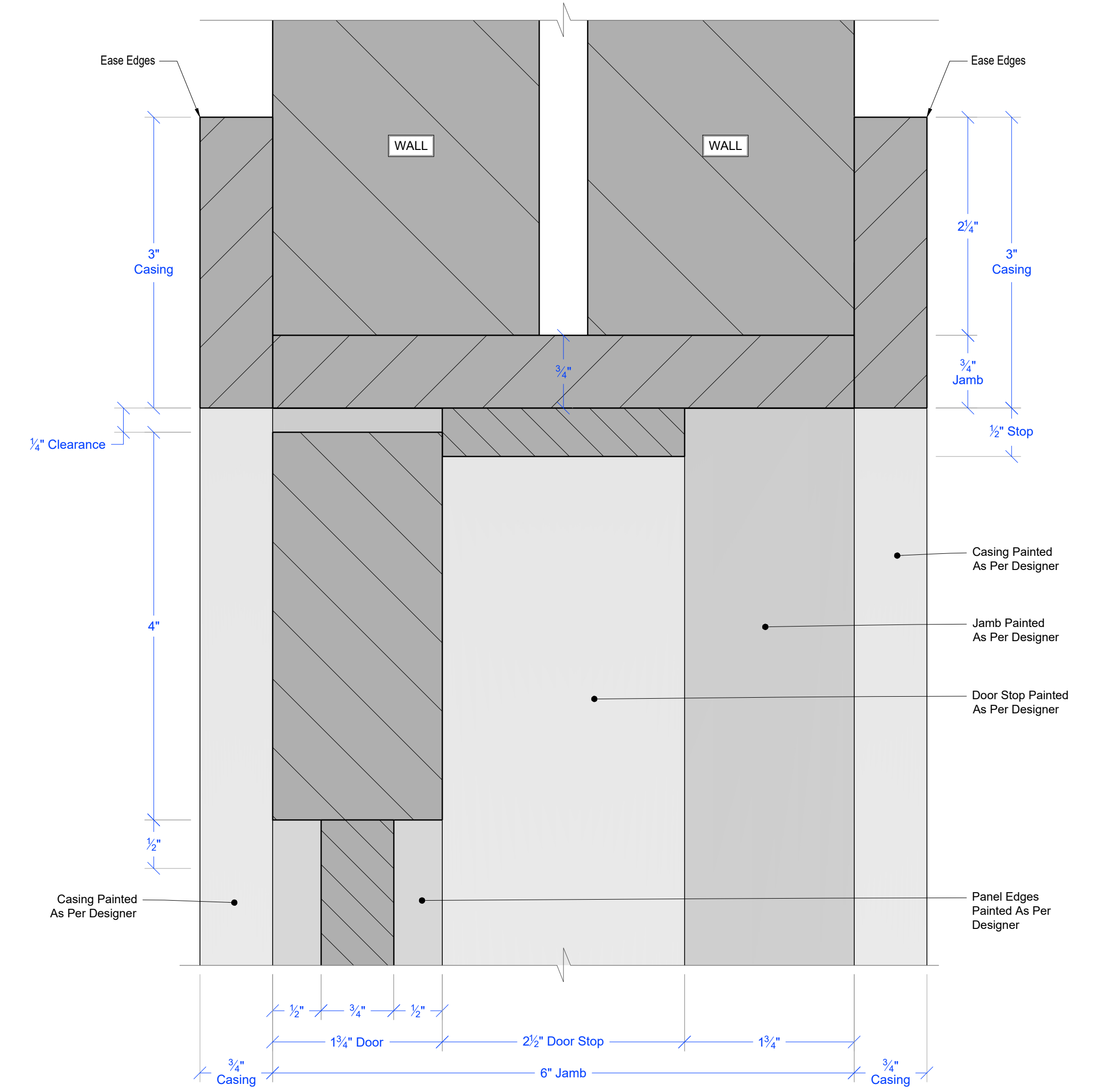
**A ELEVATION - DOORS D1 & D6**  
SCALE: 1"=1'-0"



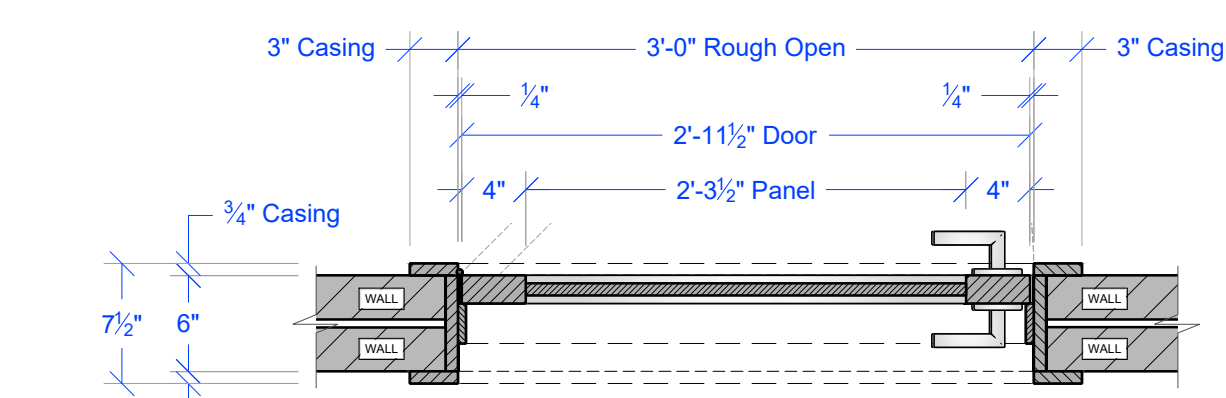
**A3 SECTION - DOORS D1 & D6**  
SCALE: 1"=1'-0"



REFERENCE IMAGE



**A4 SECTION DETAIL**  
SCALE: FULL SCALE



**A2 PLAN - DOORS D1 & D6**  
SCALE: 1"=1'-0"

**RELEASED 09/29/25**

		DIRECTOR: THOR FREUDENTHAL PRODUCTION DESIGNER: ROSHELLE BERLINER ART DIRECTOR: BRADLEY SCHMIDT SET DECORATOR: SHANNON NALLAN	
SET TITLE:	INT. BEX'S APT. & HALLWAY	SET #	23
DRAWING:	DOORS D1 & D6 DETAILS	SHEET #	5
LOCATION:	BROADWAY STAGES - STAGE 28		
SCALE:	AS NOTED	DRAWN BY:	COLT F.
RELEASE DATE:	09-29-25	EPISODE:	203