

1 REFLECTED CEILING PLAN
SCALE: 1/2"=1'-0"

3" x 13.5" Round Lights
From Set Dec.
See Ref Image 2.

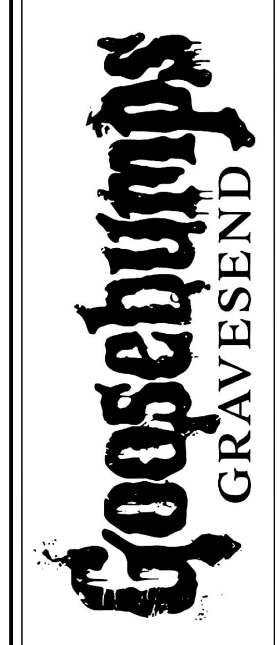
3" x 5" Round Lights
From Set Dec.
See Ref Image 2.



2 REFERENCE IMAGE
SCALE: NOT TO SCALE

REVISED
06-14-2024

6/14/2024 3:48:08 PM



DRAWN BY:
C. FRANK
REVISIONS BY:

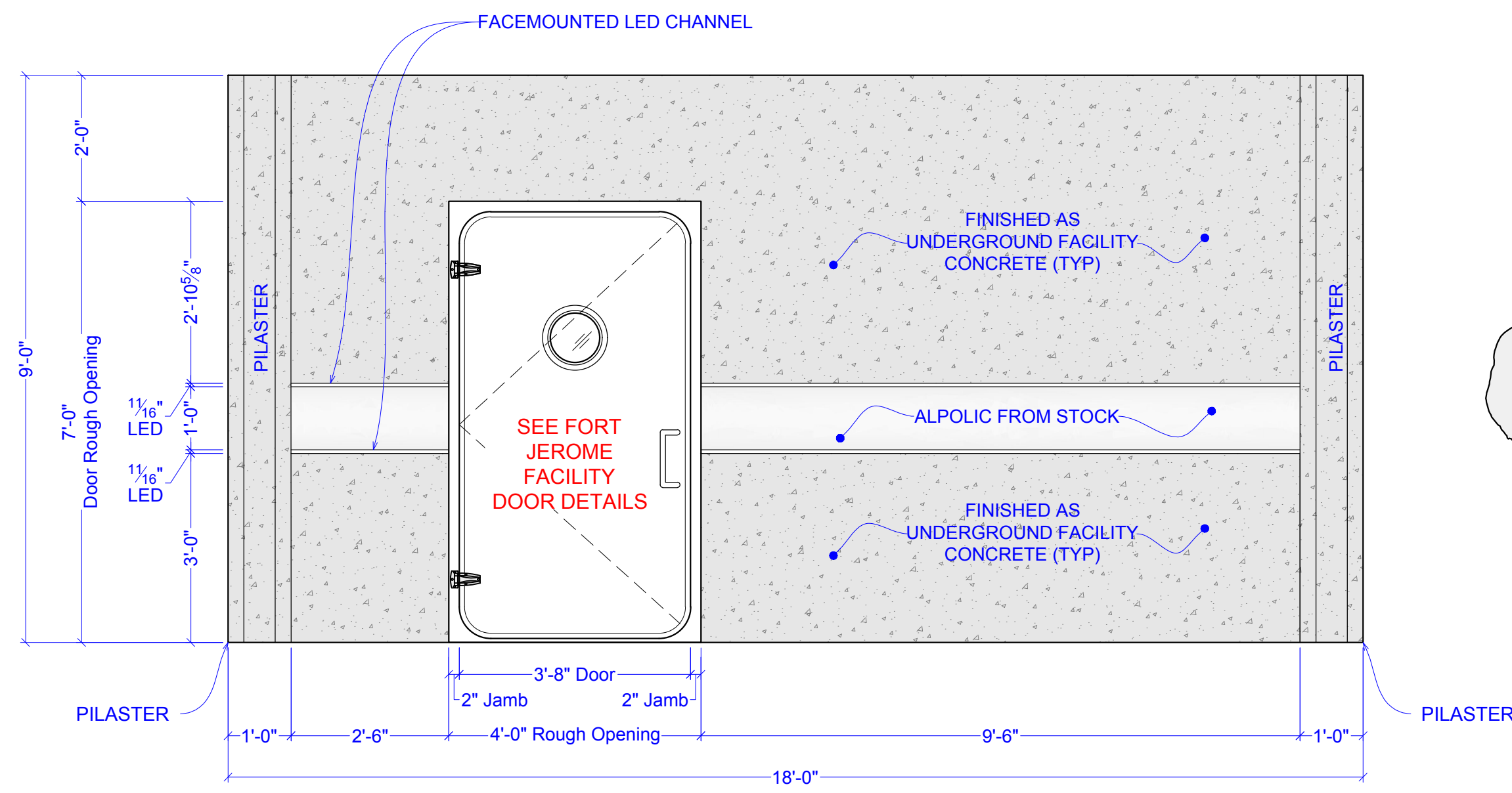
PRODUCTION DESIGNER: BRETT TANZER
ART DIRECTOR: MARISSA KOTSILIMBAS
SET DECORATOR: LAUREN CRAWFORD

SET NAME: INT. FORT JEROME FACILITY & LAB - REC ROOM
LOCATION ADDRESS: STAGE A - BROADWAY STAGES

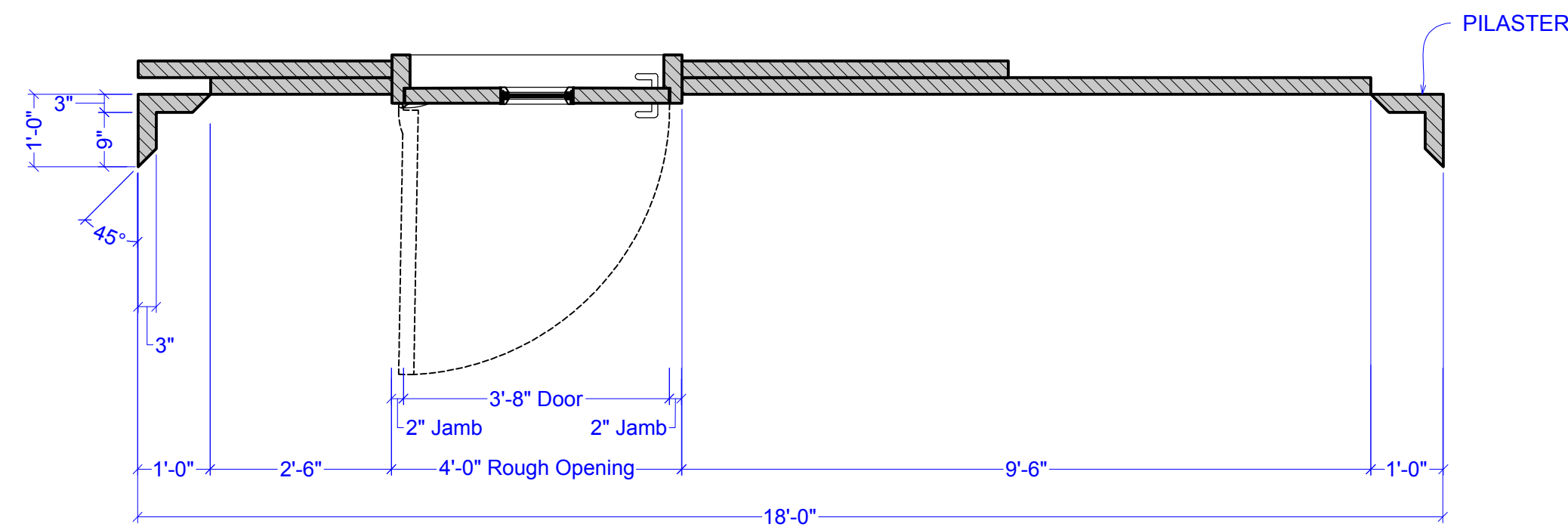
SHOOT DATE: 6-21-24
SCALE: 1/2" = 1'-0" SCALE

EPISODE: 207
SET #: 10096

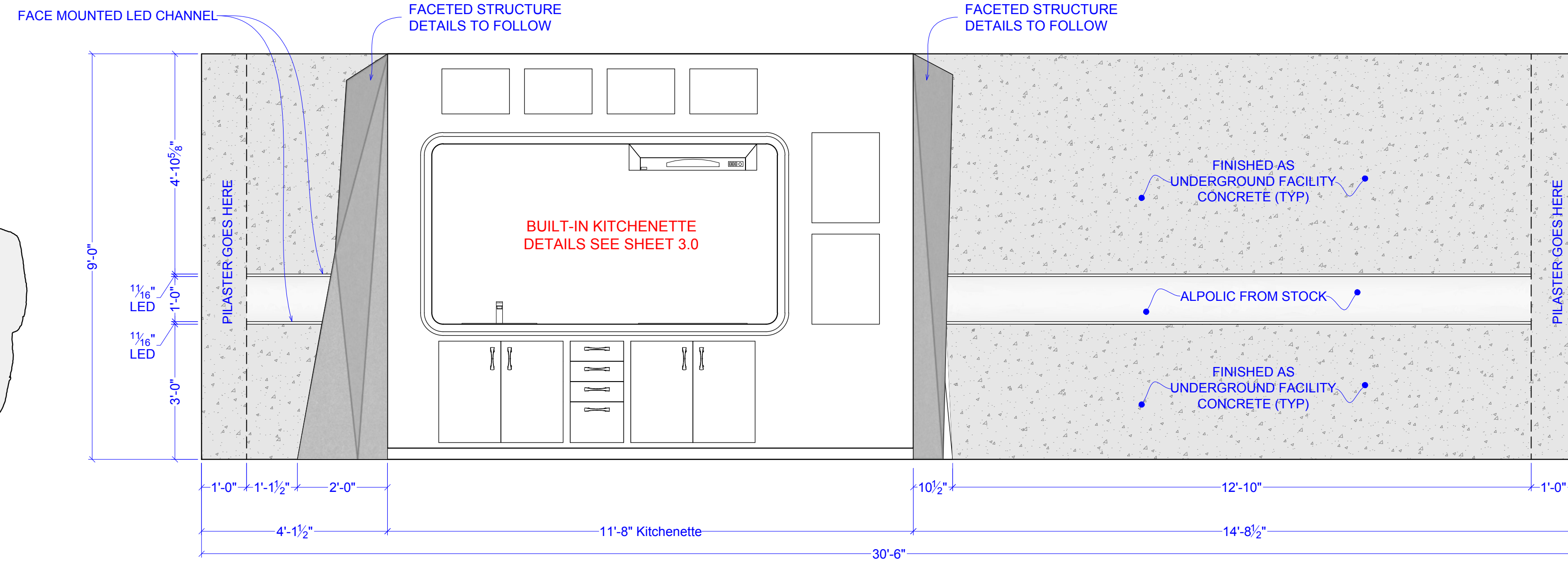
DRAWING #
1.1



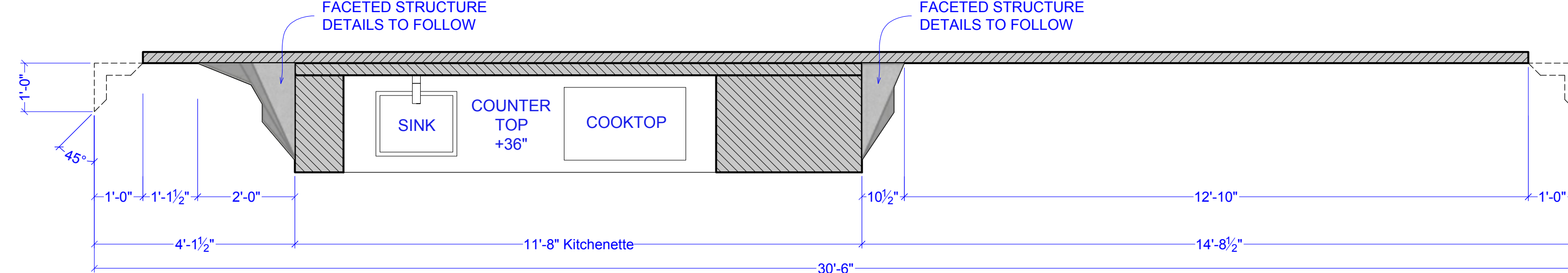
A ELEVATION-WALL A
SCALE: 1/2"=1'-0"



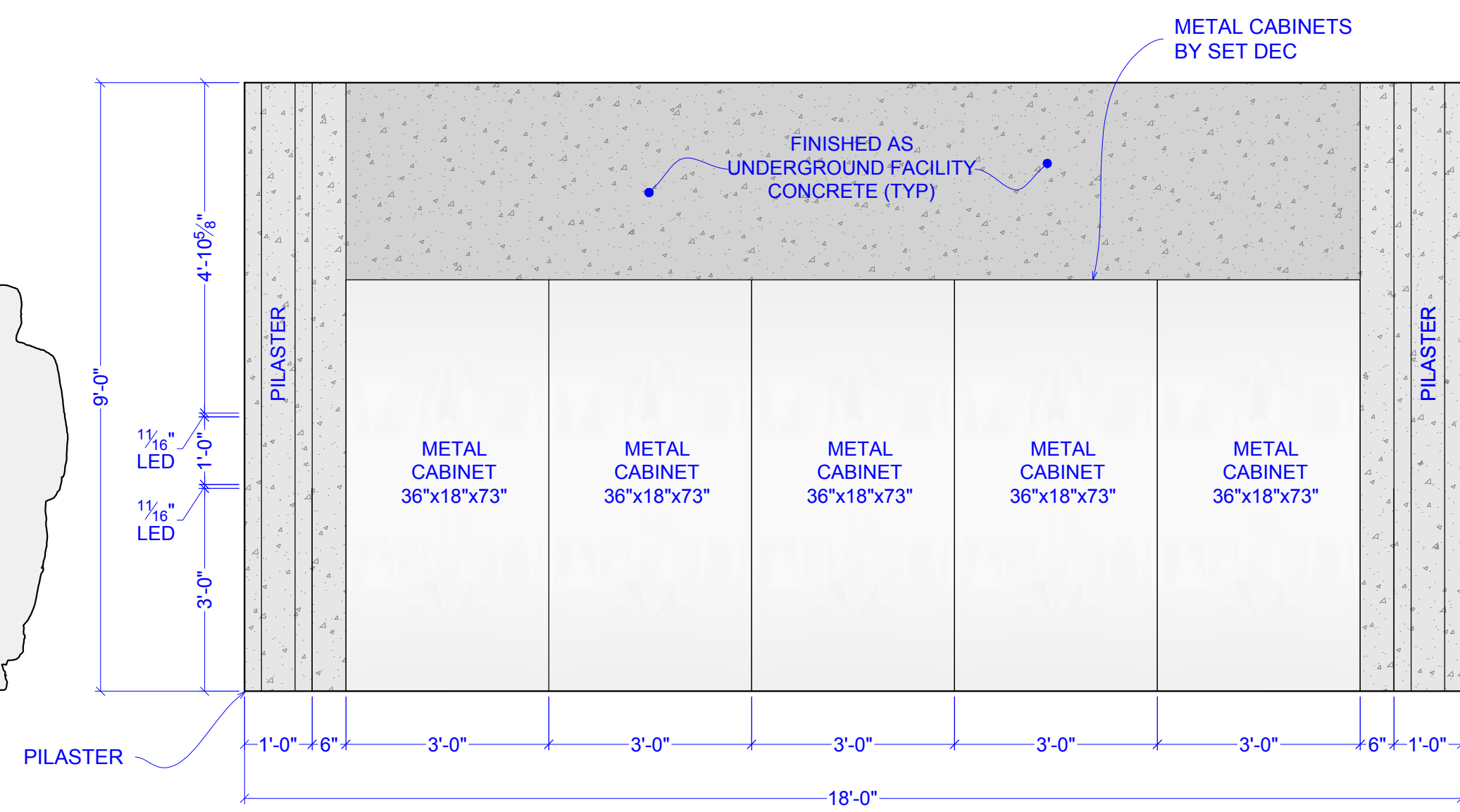
A2 PLAN-WALL A
SCALE: 1/2"=1'-0"



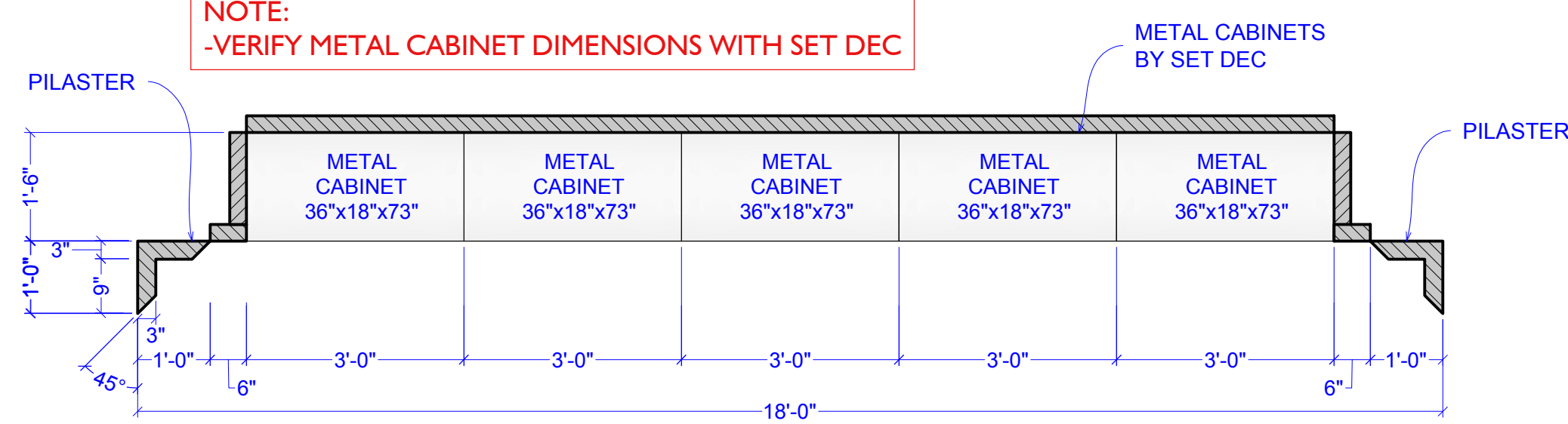
B ELEVATION-WALL B
SCALE: 1/2"=1'-0"



B2 PLAN-WALL B
SCALE: 1/2"=1'-0"



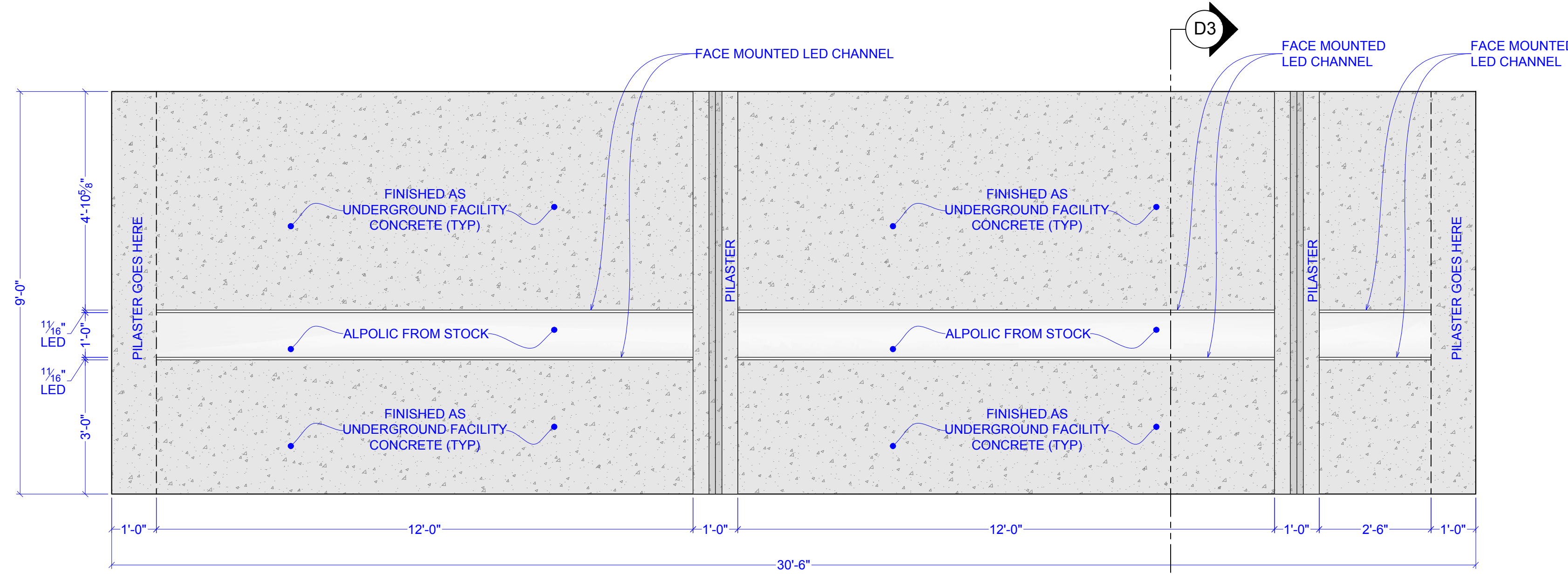
C ELEVATION-WALL C
SCALE: 1/2"=1'-0"



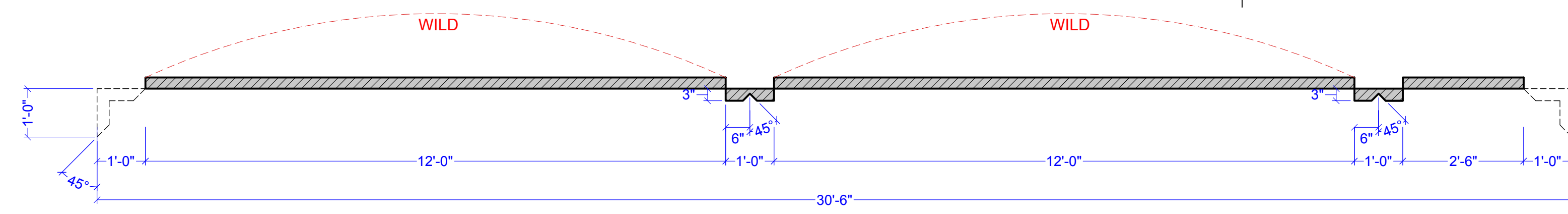
C2 PLAN-WALL C
SCALE: 1/2"=1'-0"

NOTE:
-VERIFY METAL CABINET DIMENSIONS WITH SET DEC

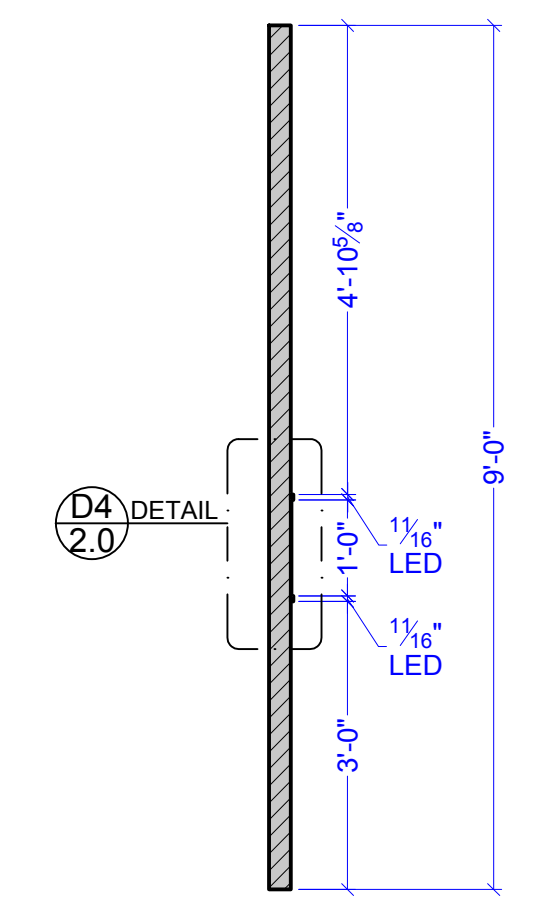
NOTE:
-VERIFY METAL CABINET DIMENSIONS WITH SET DEC



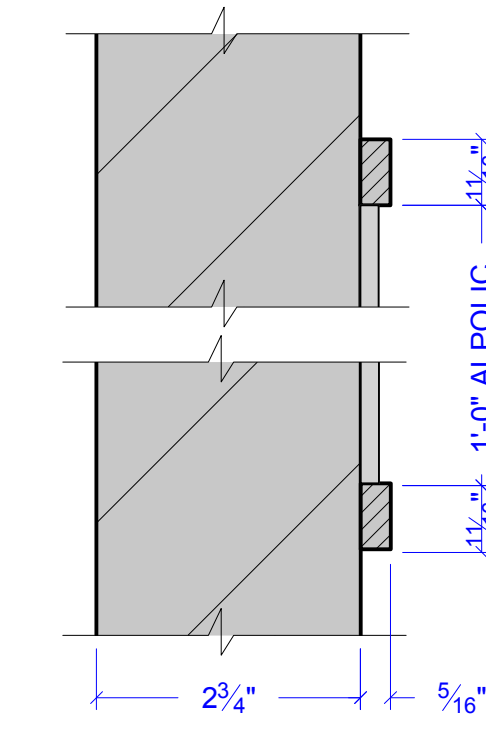
D ELEVATION-WALL D
SCALE: 1/2"=1'-0"



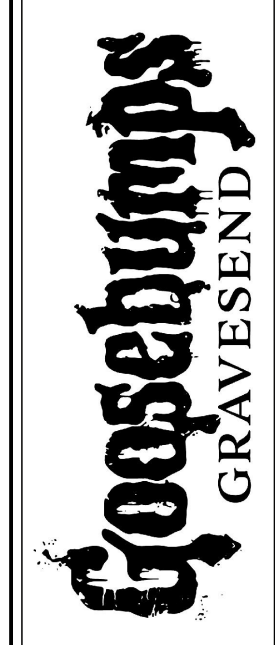
D2 PLAN-WALL D
SCALE: 1/2"=1'-0"

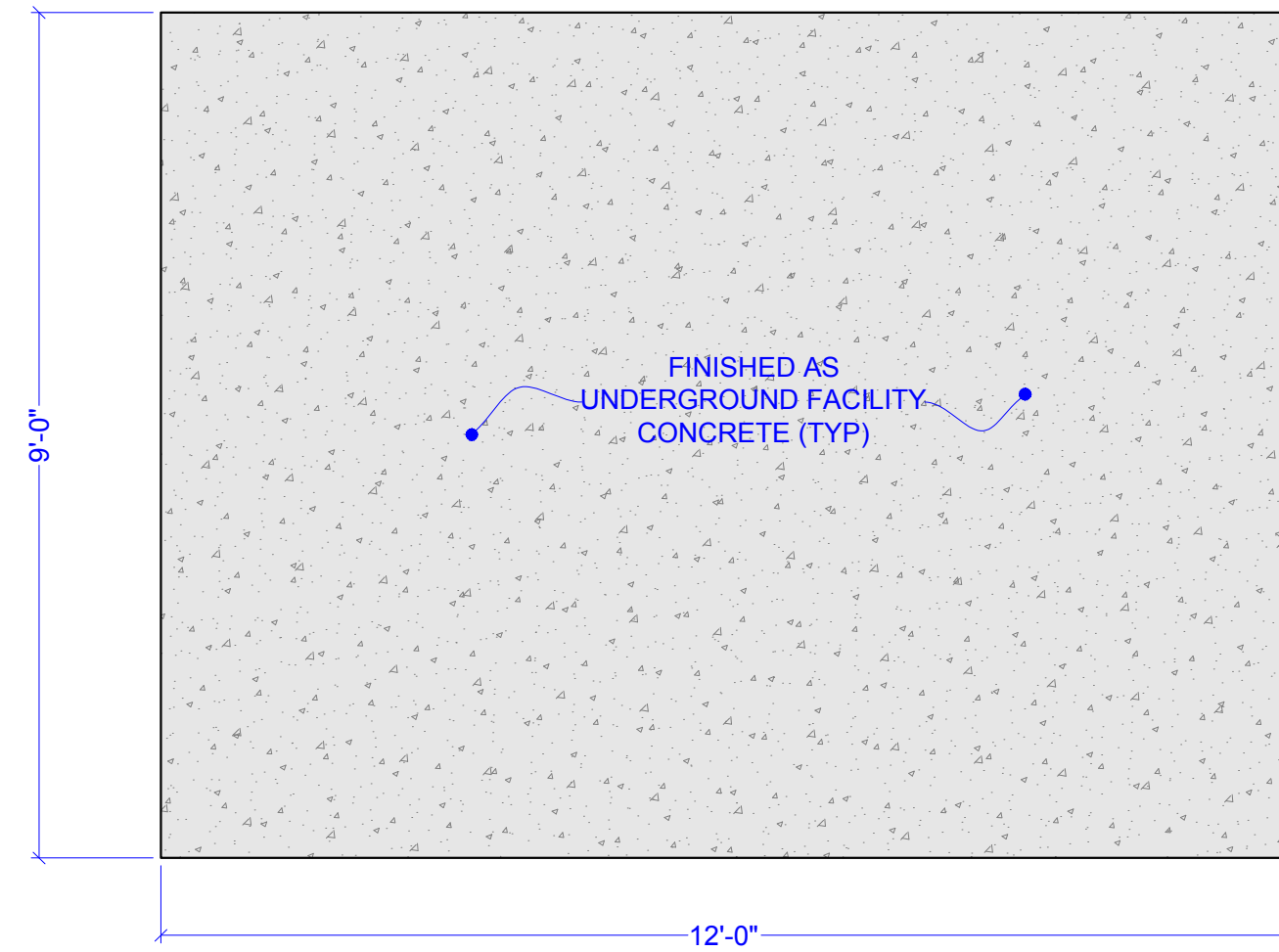


D3 SECTION-WALL D
SCALE: 1/2"=1'-0"

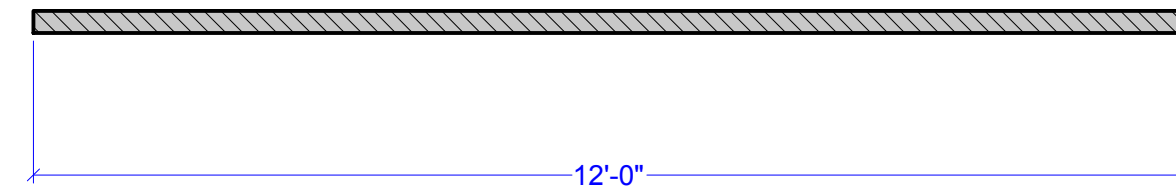


D4 DETAIL-LED CHANNELS
SCALE: 6"=1'-0"

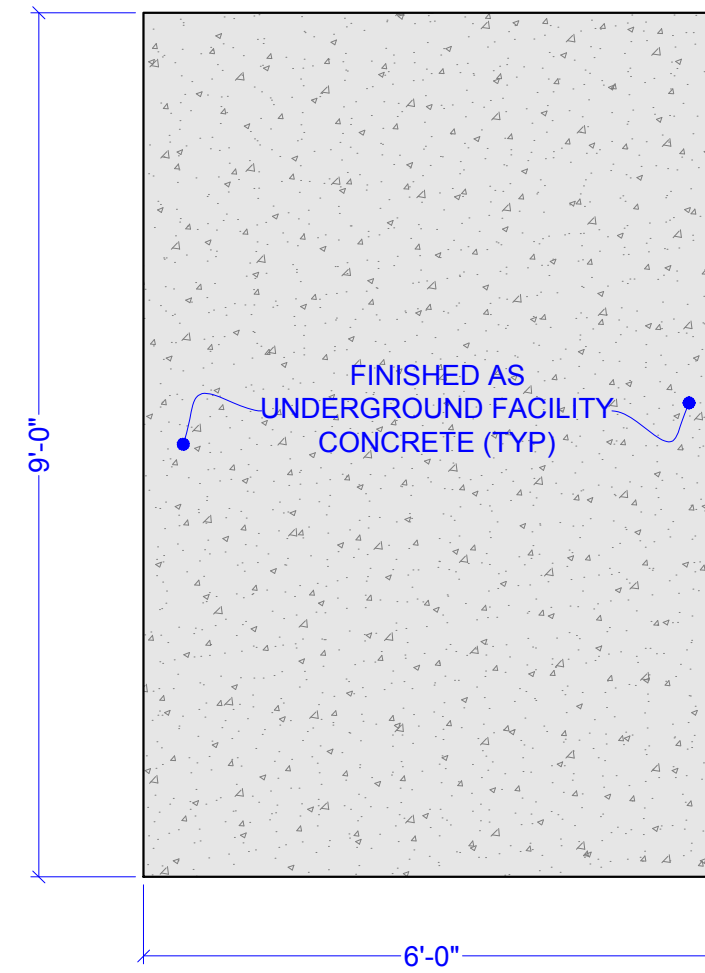
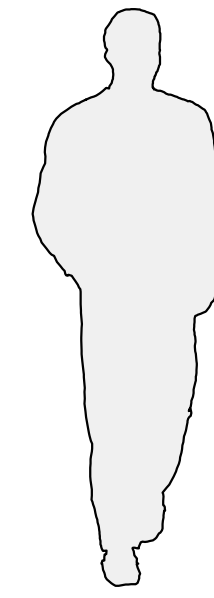




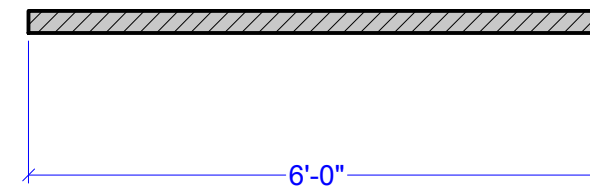
E ELEVATION-WALL E
SCALE: 1/2"=1'-0"



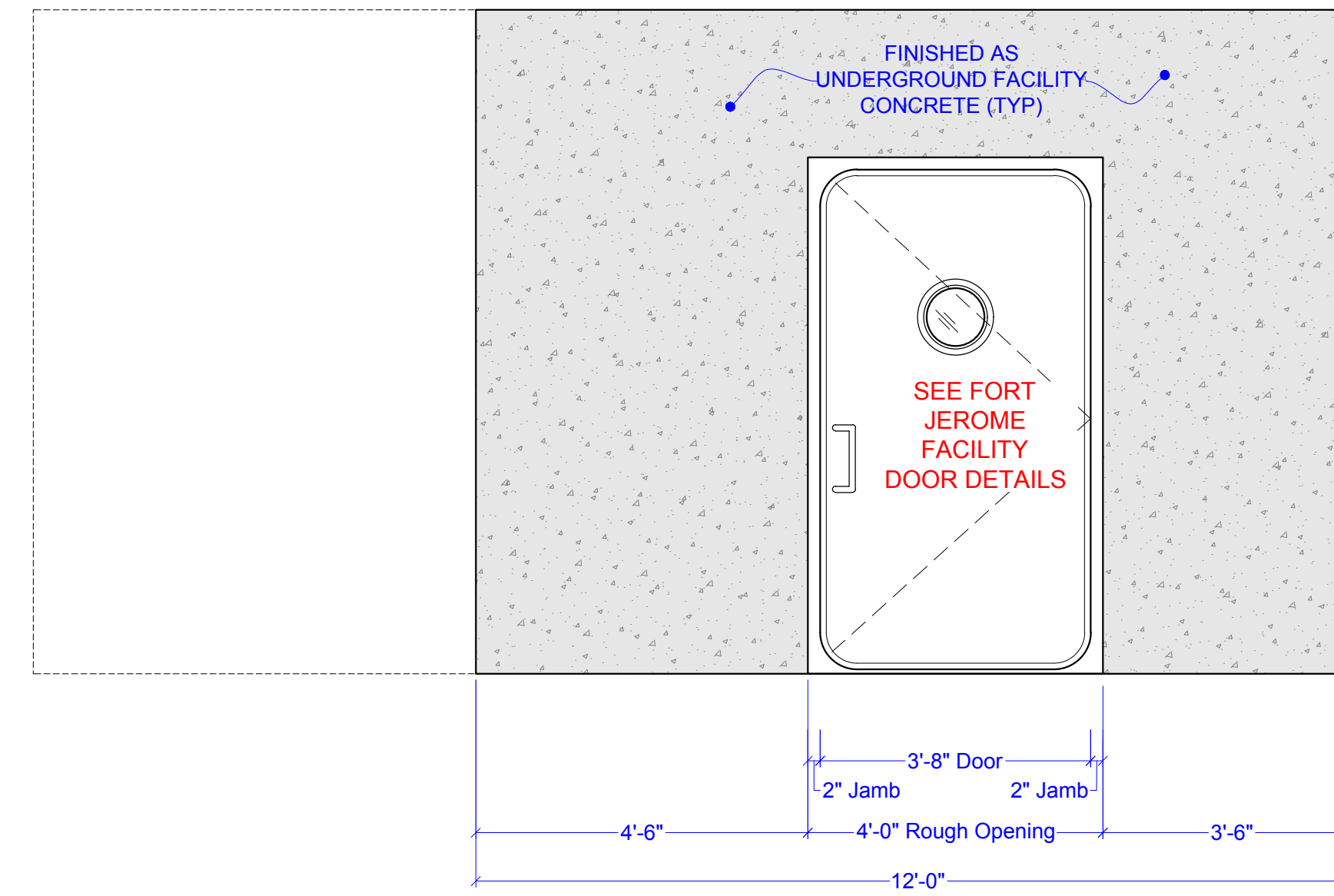
E2 PLAN-WALL E
SCALE: 1/2"=1'-0"



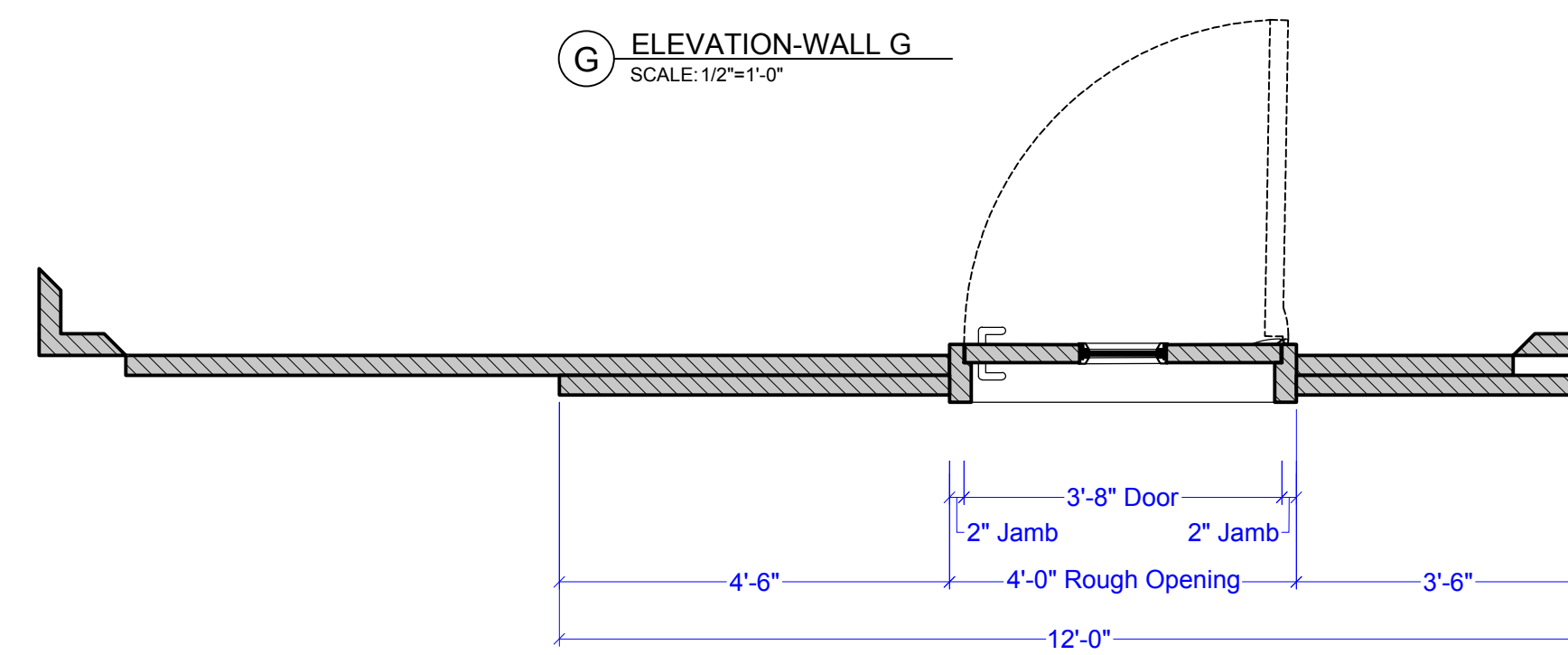
F ELEVATION-WALL F
SCALE: 1/2"=1'-0"



F2 PLAN-WALL F
SCALE: 1/2"=1'-0"



G ELEVATION-WALL G
SCALE: 1/2"=1'-0"



G2 PLAN-WALL G
SCALE: 1/2"=1'-0"

RELEASED
06-11-2024

6/11/2024 1:30:38 PM

Goosebumps
GRAVESEND

DRAWN BY:
C. FRANK

REVISIONS BY:

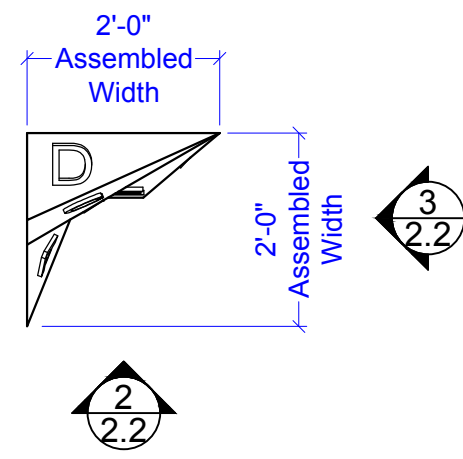
PRODUCTION DESIGNER: BRET TANZER
ART DIRECTOR: MARISSA KOTSILUMBAS
SET DECORATOR: LAUREN CRAWFORD

SET NAME: INT. FORT JEROME FACILITY & LAB - REC ROOM
LOCATION ADDRESS: STAGE A - BROADWAY STAGES

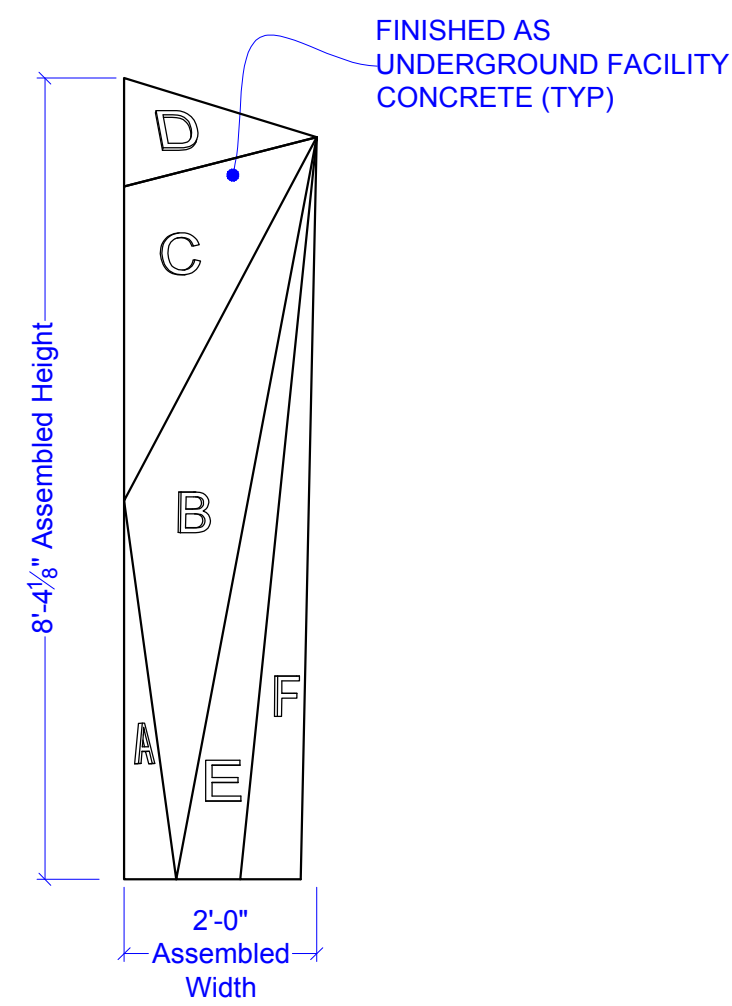
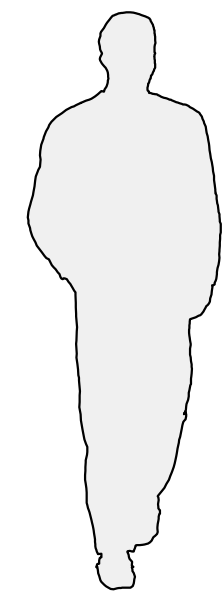
SHOOT DATE: 06-21-24
SCALE: AS NOTED

EPISODE: 207
SET #: 10096

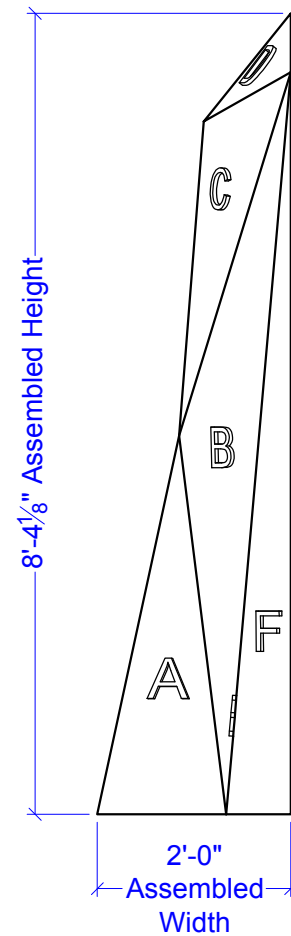
DRAWING #
2.1



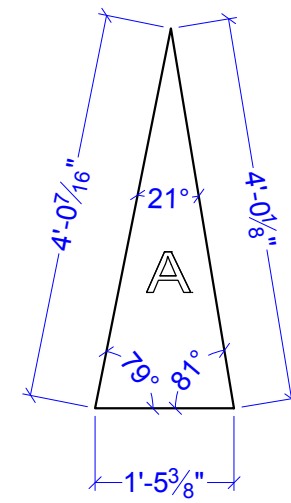
1 PLAN - FACETED STRUCTURE
SCALE: 1/2"=1'-0"



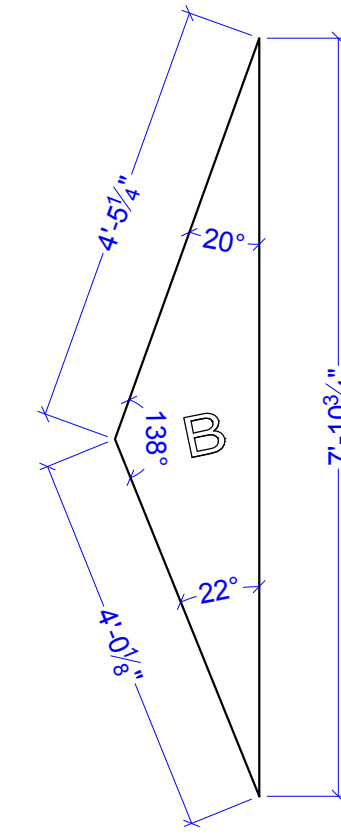
2 ELEVATION - FACETED STRUCTURE
SCALE: 1/2"=1'-0"



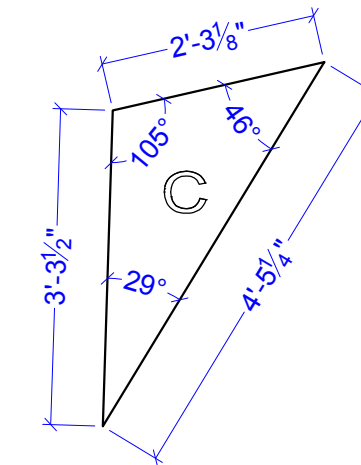
3 ELEVATION - FACETED STRUCTURE
SCALE: 1/2"=1'-0"



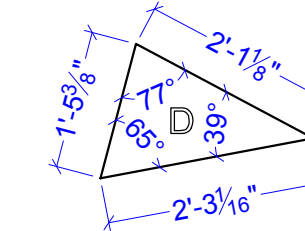
4 PANEL A - TRUE ELEVATION
SCALE: 1/2"=1'-0"



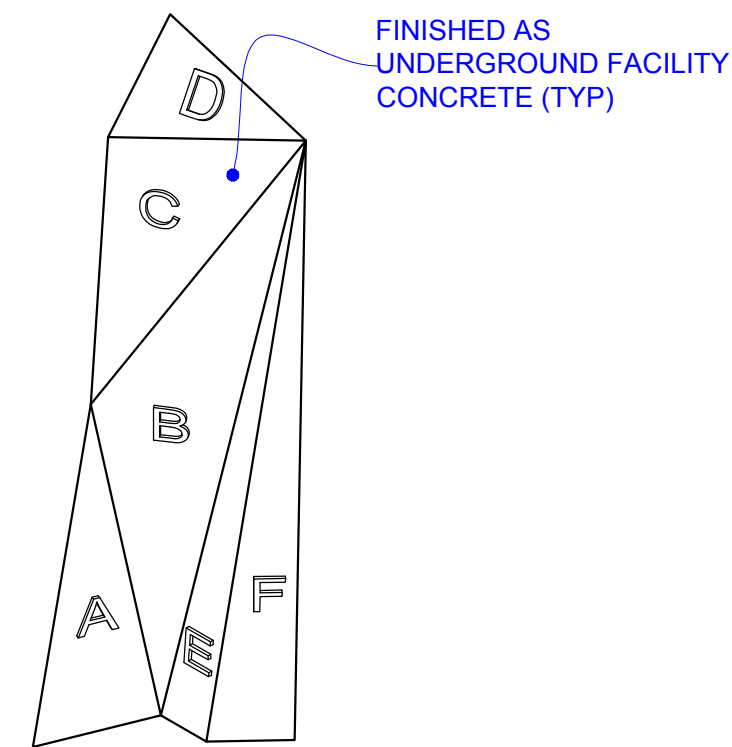
5 PANEL B - TRUE ELEVATION
SCALE: 1/2"=1'-0"



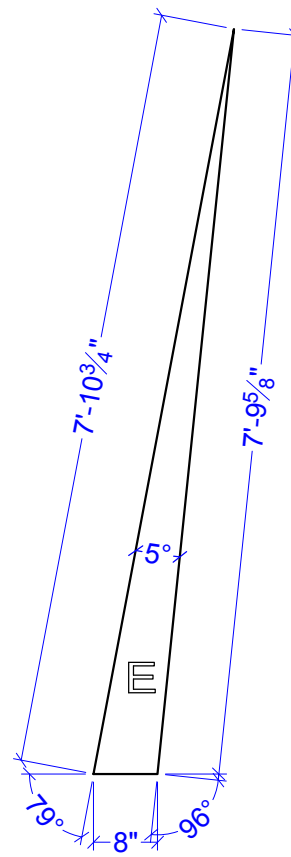
6 PANEL C - TRUE ELEVATION
SCALE: 1/2"=1'-0"



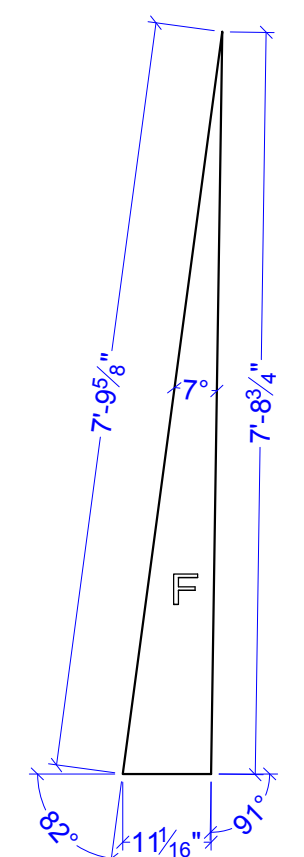
7 PANEL D - TRUE ELEVATION
SCALE: 1/2"=1'-0"



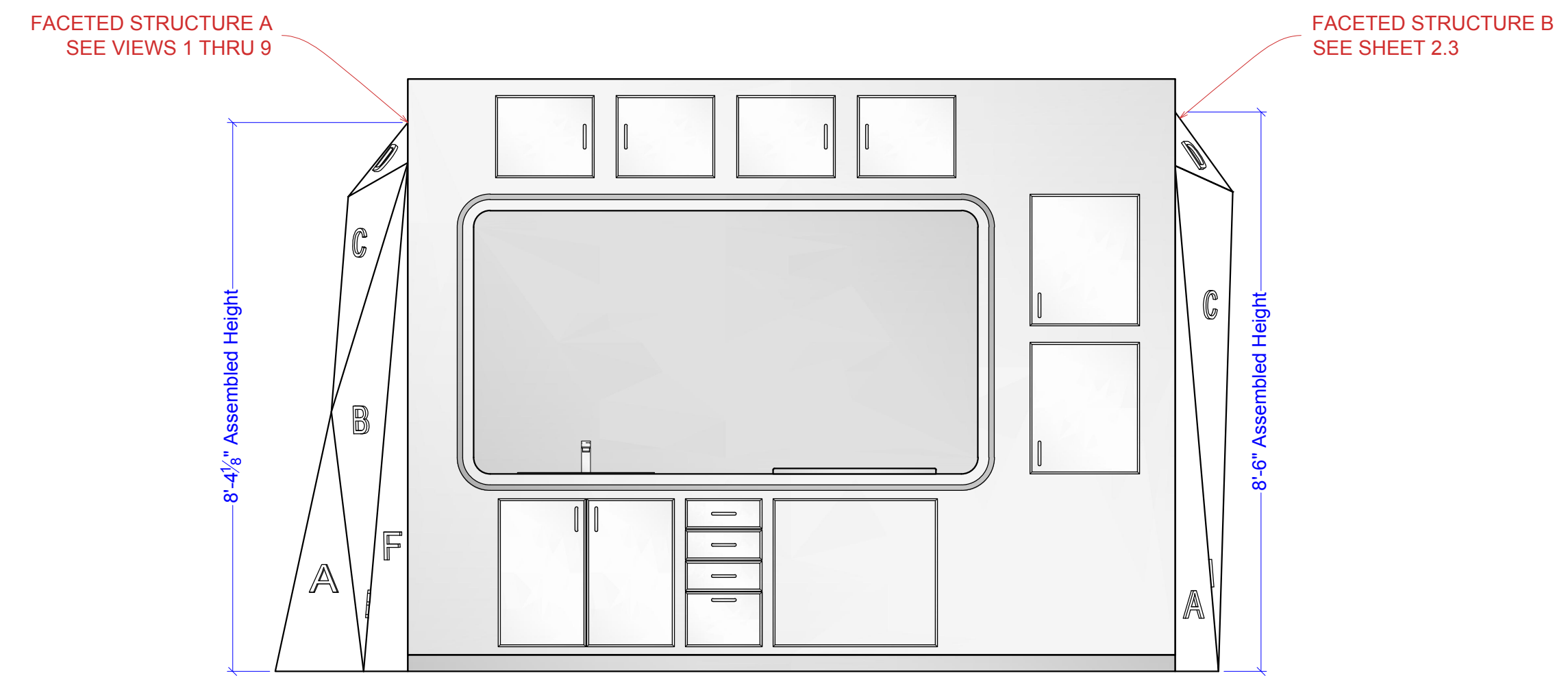
8 FACET STRUCTURE - ISO
SCALE: NOT TO SCALE



8 PANEL E - TRUE ELEVATION
SCALE: 1/2"=1'-0"



9 PANEL F - TRUE ELEVATION
SCALE: 1/2"=1'-0"

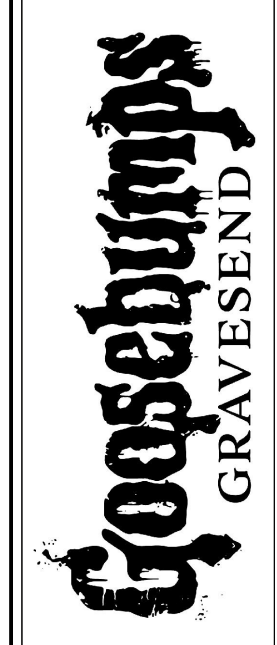


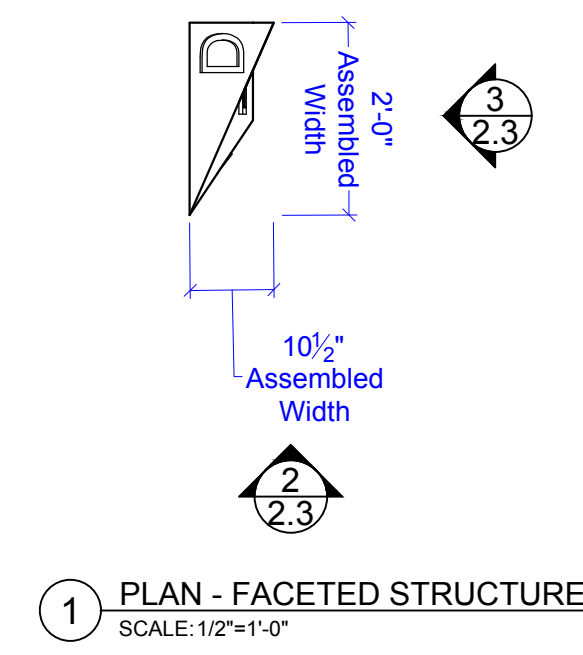
10 ELEVATION - KITCHENETTE
SCALE: 1/2"=1'-0"

DRAWING #	2.2
EPISODE	207
SET #	10096
SHOOT DATE:	06-21-24
SCALE:	AS NOTED
SET NAME:	INT. FORT JEROME FACILITY & LAB - REC ROOM
LOCATION ADDRESS:	STAGE A - BROADWAY STAGES
PRODUCTION DESIGNER:	BRET TANZER
ART DIRECTOR:	MARISSA KOTSLUMBAS
SET DECORATOR:	LAUREN CRAWFORD
DRAWN BY:	C. FRANK
REVISIONS BY:	

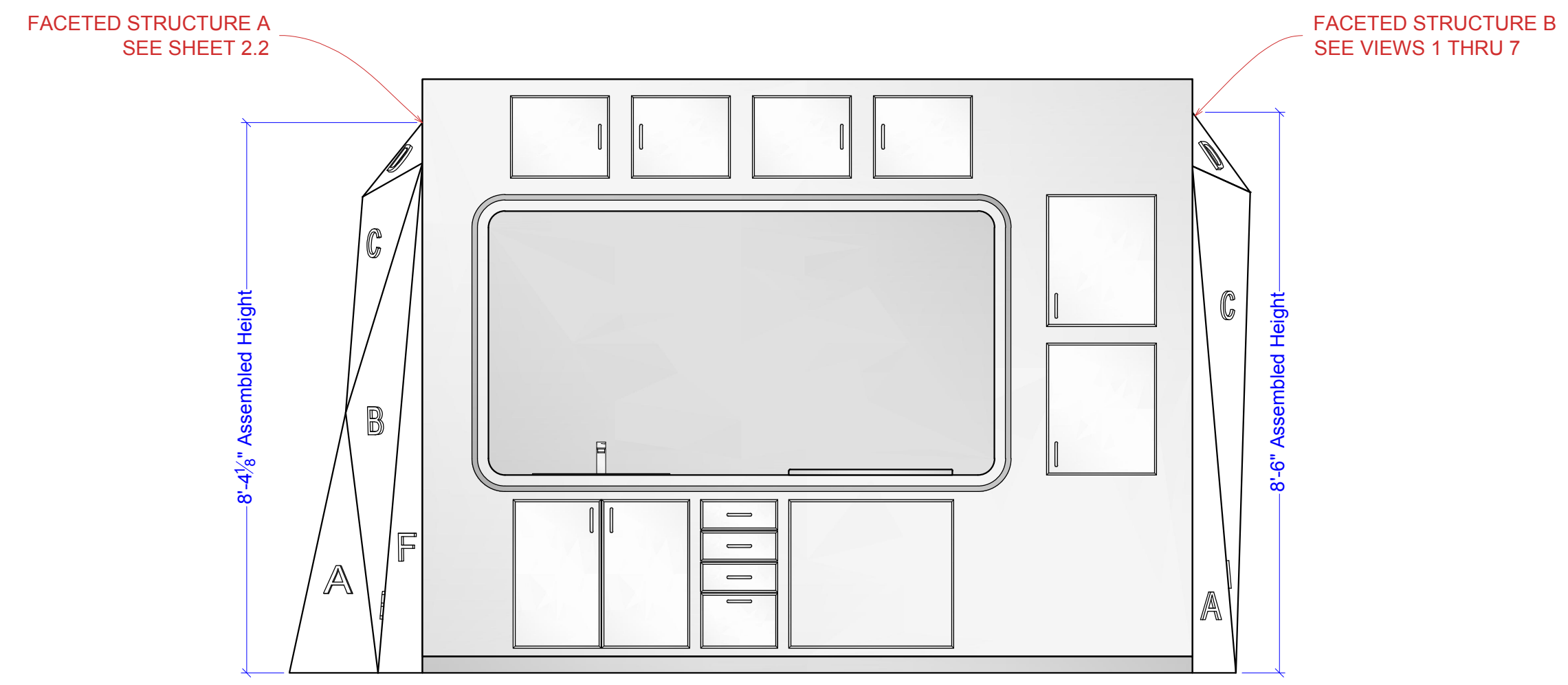
RELEASED
06-13-2024

6/13/2024 11:45:44 AM

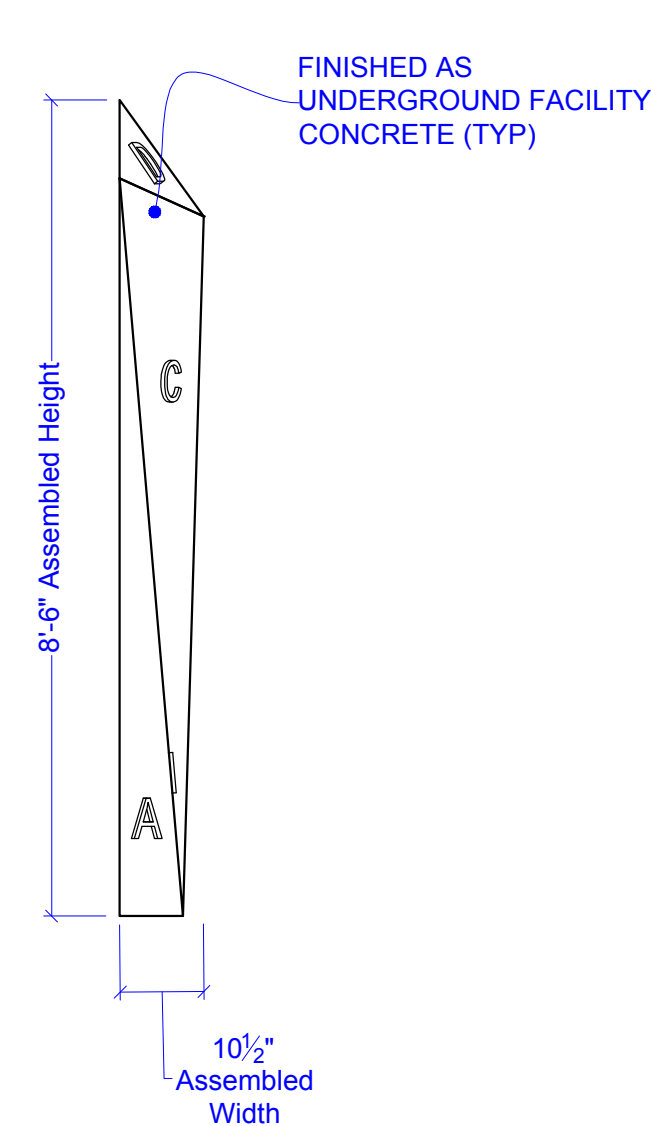
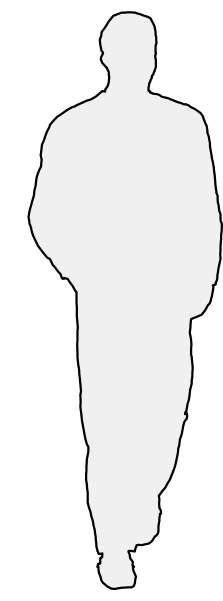




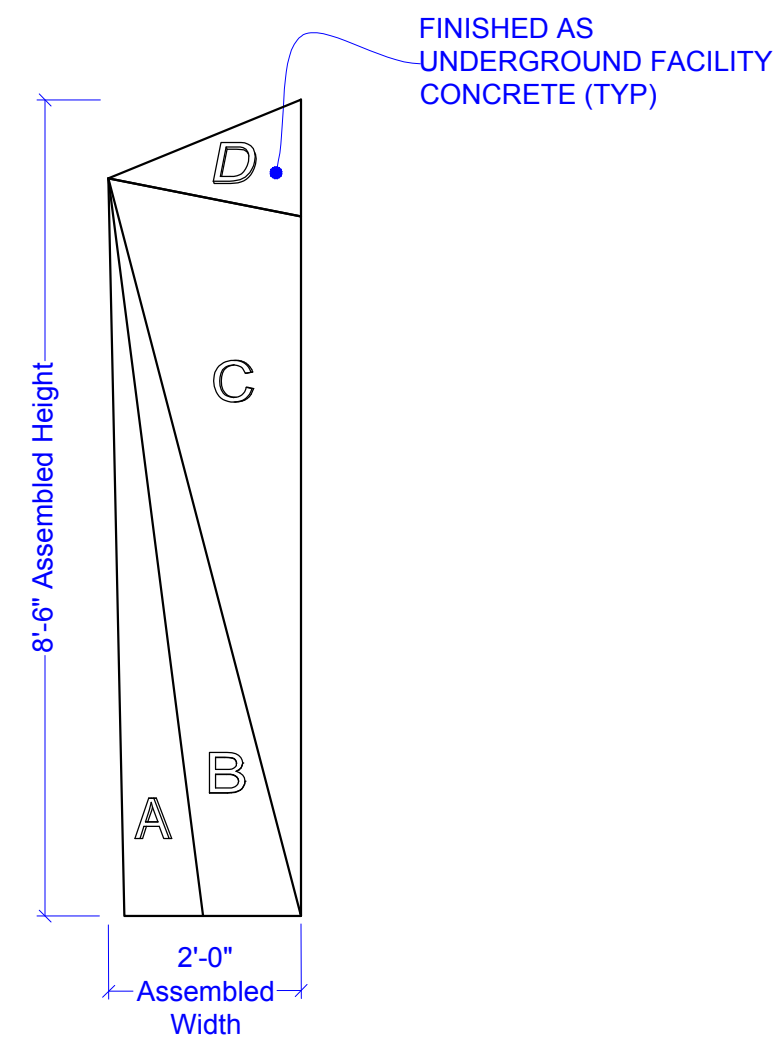
1 PLAN - FACETED STRUCTURE
SCALE: 1/2"=1'-0"



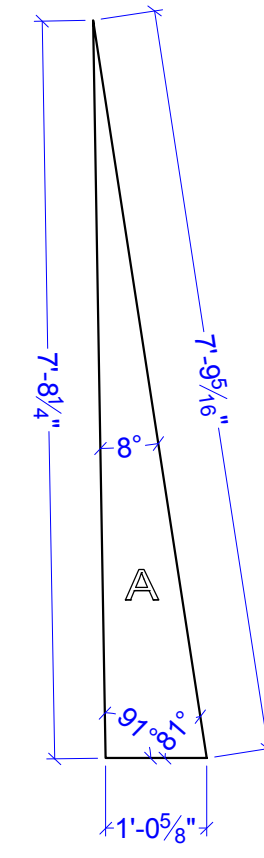
8 ELEVATION - KITCHENETTE
SCALE: 1/2"=1'-0"



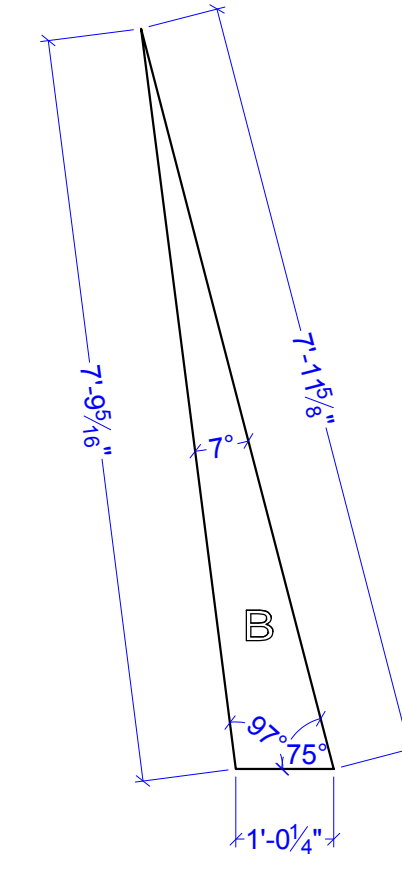
2 ELEVATION - FACETED STRUCTURE
SCALE: 1/2"=1'-0"



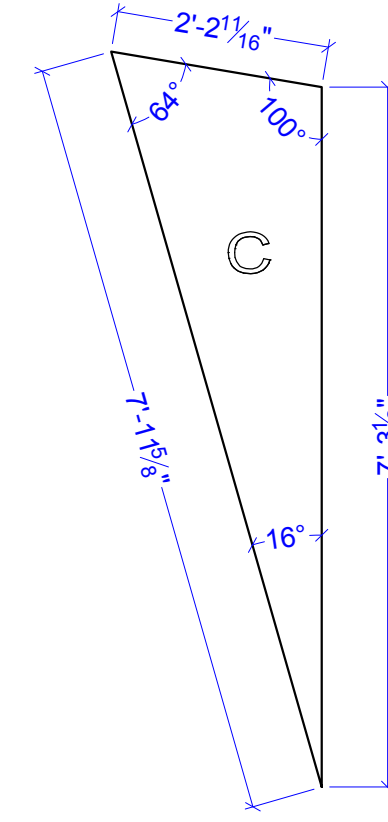
3 ELEVATION - FACETED STRUCTURE
SCALE: 1/2"=1'-0"



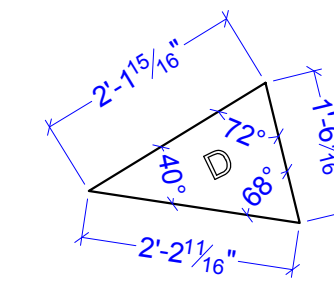
4 PANEL A - TRUE ELEVATION
SCALE: 1/2"=1'-0"



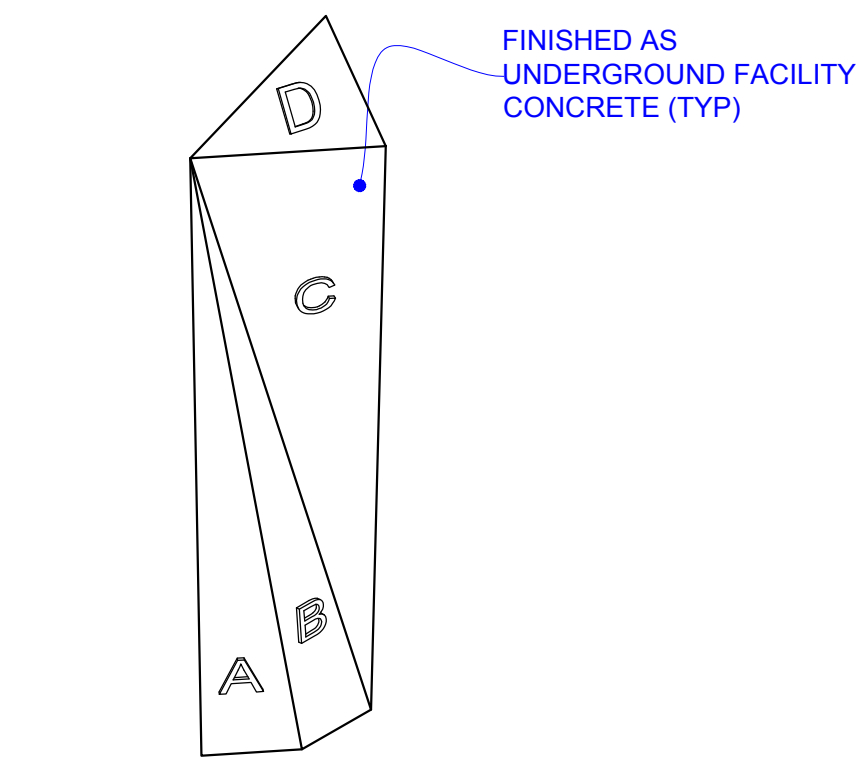
5 PANEL B - TRUE ELEVATION
SCALE: 1/2"=1'-0"



6 PANEL C - TRUE ELEVATION
SCALE: 1/2"=1'-0"



7 PANEL D - TRUE ELEVATION
SCALE: 1/2"=1'-0"

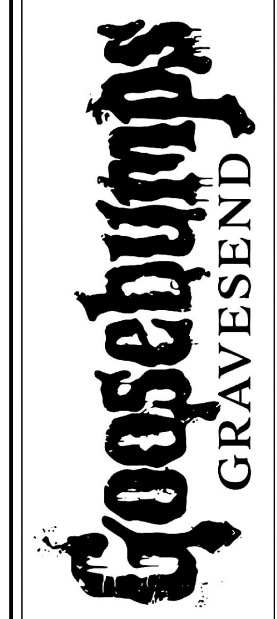


9 FACET STRUCTURE - ISO
SCALE: NOT TO SCALE

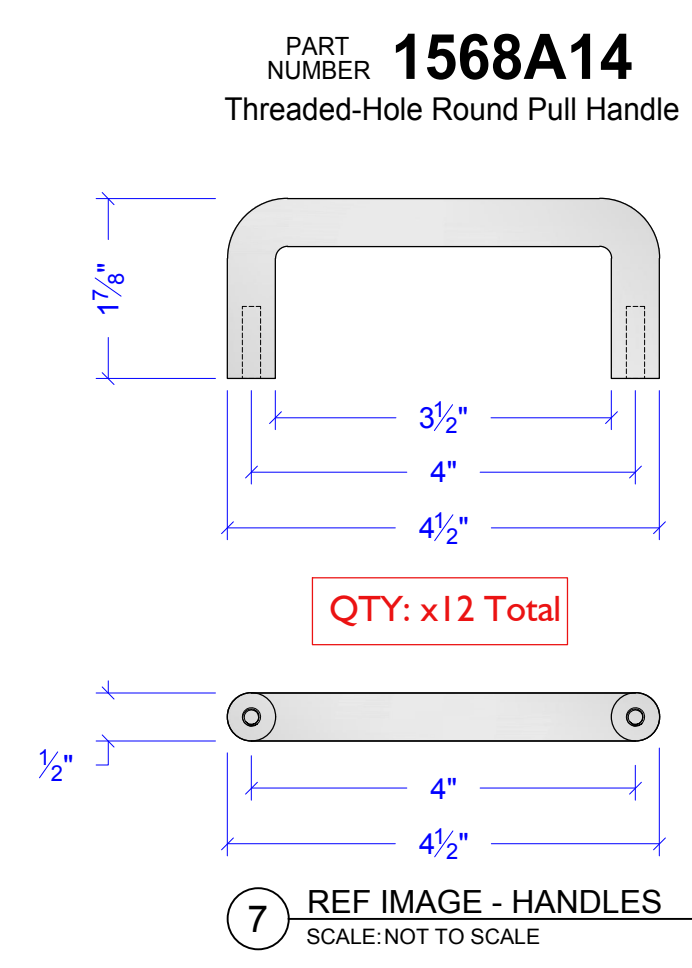
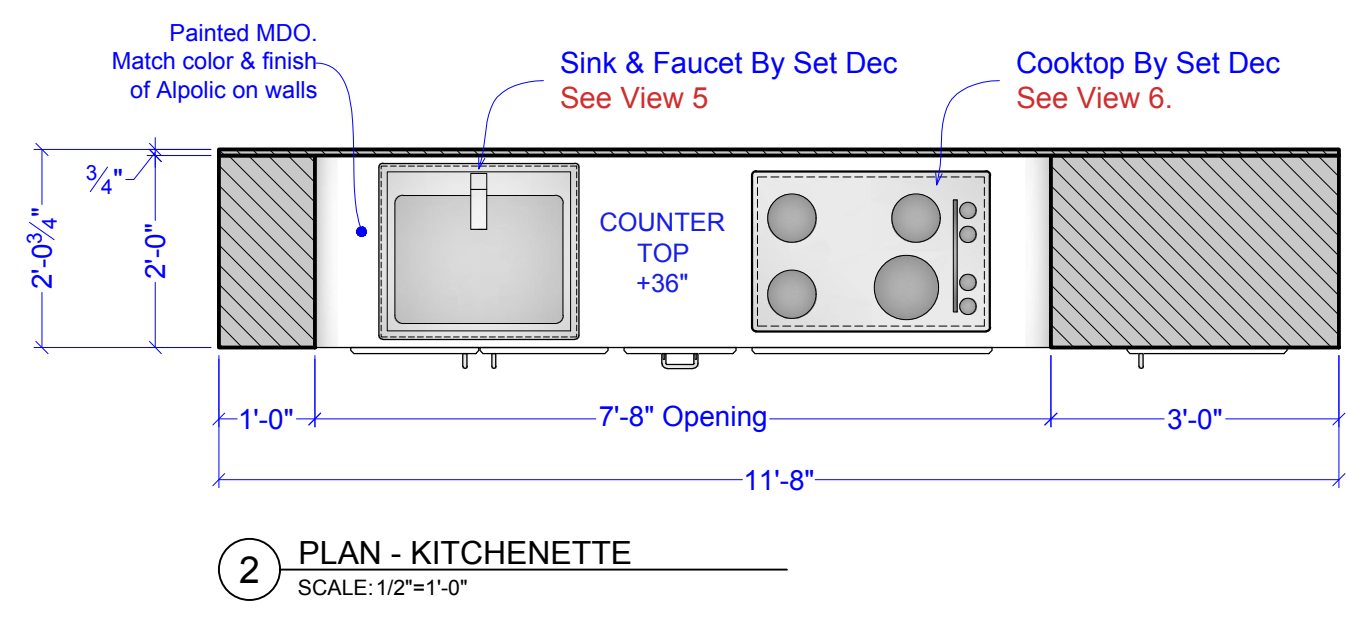
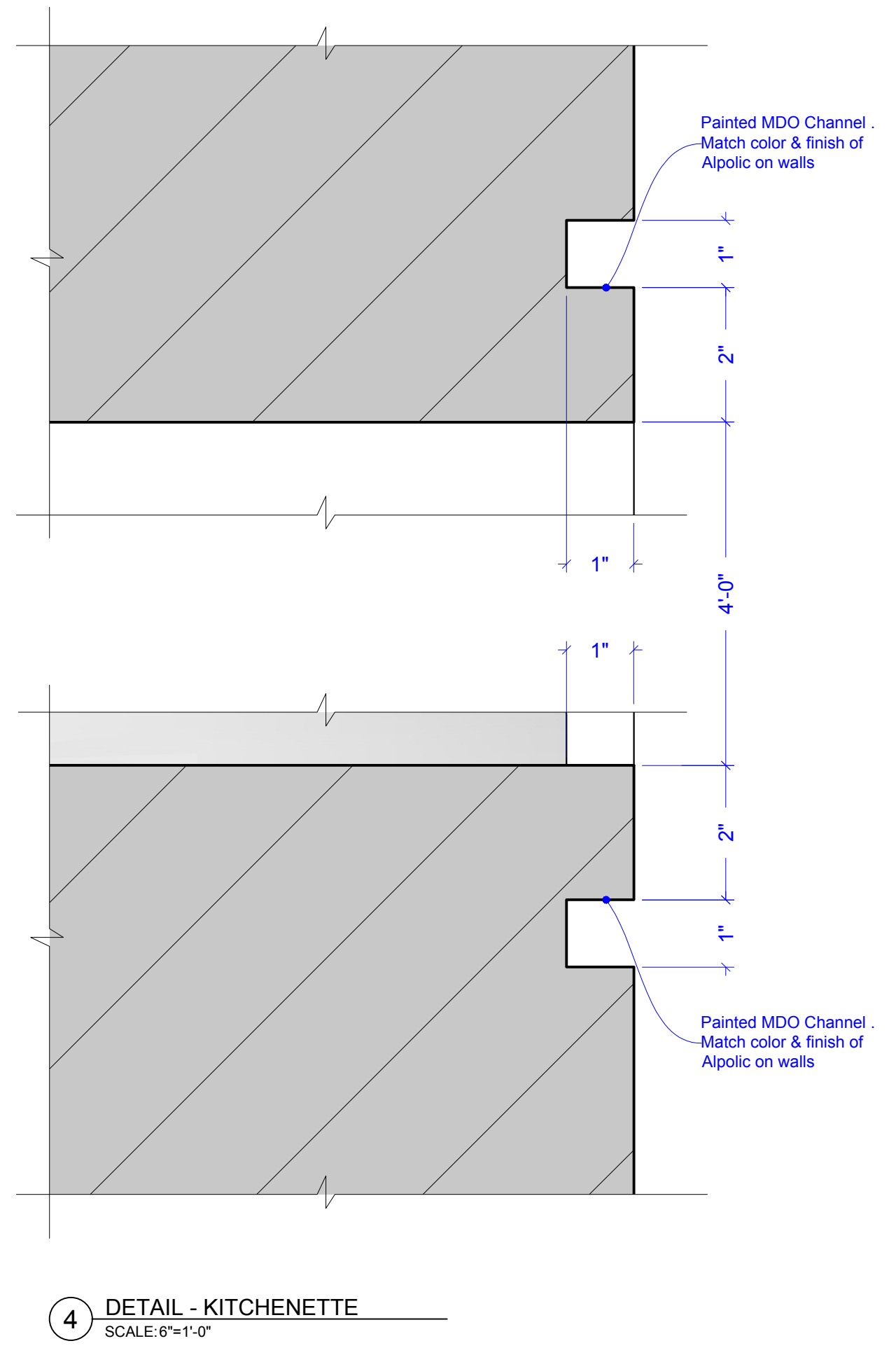
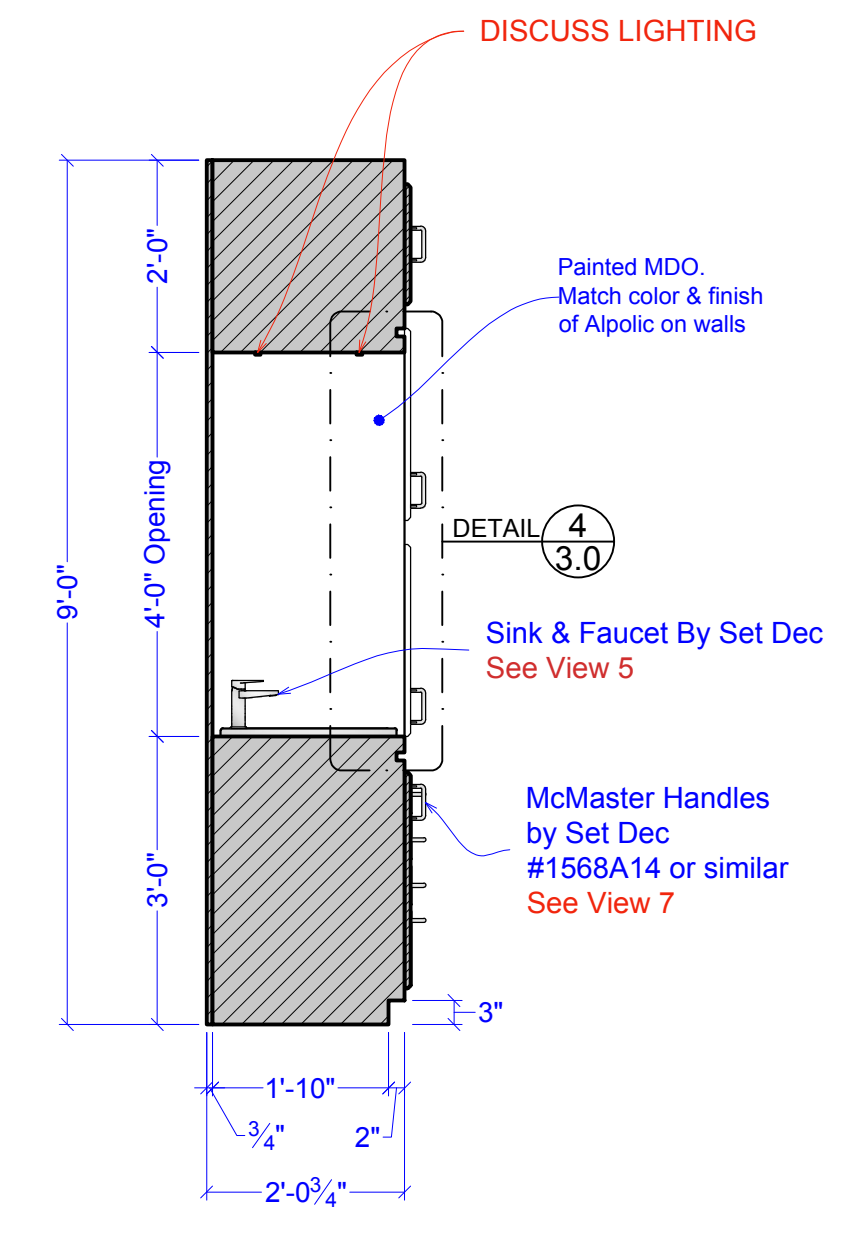
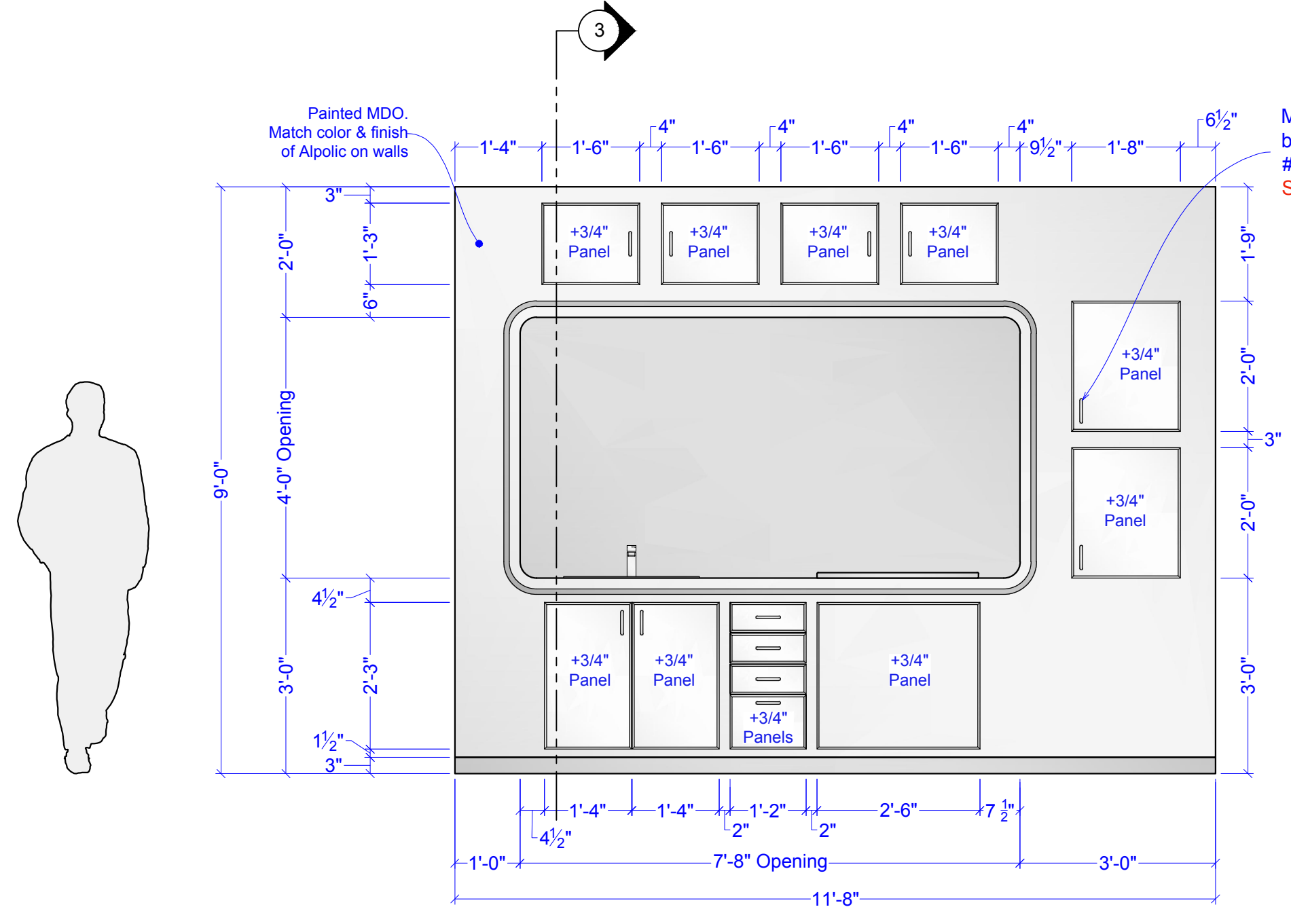
DRAWING #	2.3
EPISODE	207
SET #	10096
SHOOT DATE:	06-21-24
SCALE:	AS NOTED
SET NAME:	INT. FORT JEROME FACILITY & LAB - REC ROOM
LOCATION ADDRESS:	STAGE A - BROADWAY STAGES
PRODUCTION DESIGNER:	BRET TANZER
ART DIRECTOR:	MARISSA KOTSLUMBAS
SET DECORATOR:	LAUREN CRAWFORD
DRAWN BY:	C. FRANK
REVISIONS BY:	

RELEASED
06-13-2024

6/13/2024 11:45:44 AM



NOTES:
 -ALL +3/4" PANELS AS DUMMY CABINETS.
 -ALL +3/4" PANELS HAVE CHAMFERED EDGES
 -HANDLES BY SET DEC.
 -PAINTED MDO TO MATCH COLOR & FINISH OF ALPOLIC ON WALLS
 -DISCUSS LIGHTING



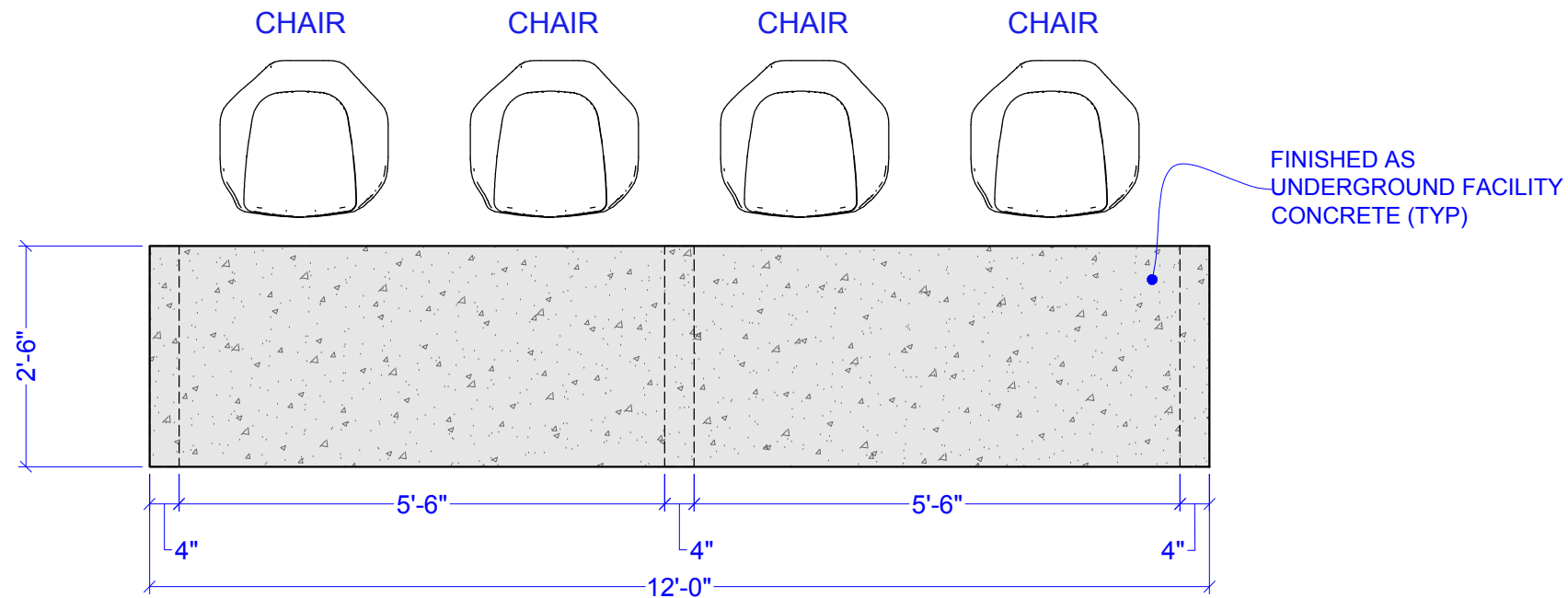
Overall	3.75" H X 29.75" W X 20.0" D
Front Left Burner Diameter	6"
Cutout Depth - Front to Back	18.63" D
Cutout Width - Side to Side	28.38" W
Front Right Burner Diameter	8"

RELEASED
 06-13-2024

6/13/2024 1:26:55 PM

DRAWING # 3.0
 EPISODE 207 SET # 10096
 SHOOT DATE: 06-21-24 SCALE: AS NOTED
 SET NAME: INT. FORT JEROME FACILITY & LAB - REC ROOM
 LOCATION ADDRESS: STAGE A - BROADWAY STAGES
 PRODUCTION DESIGNER: BRETTANZER
 ART DIRECTOR: MARISSA KOTSILUMBAS
 SET DECORATOR: LAUREN CRAWFORD
 DRAWN BY: C. FRANK
 REVISIONS BY:

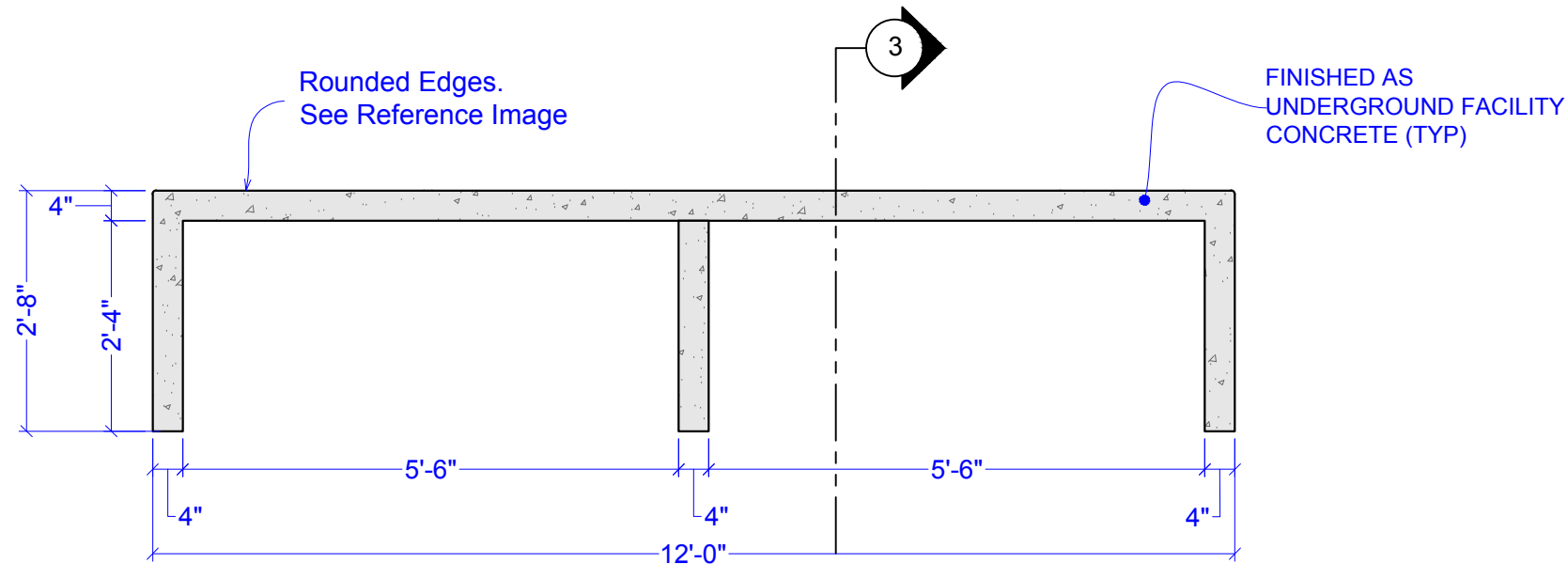
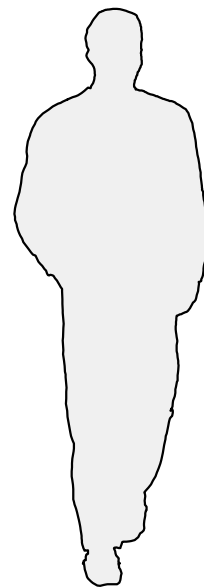




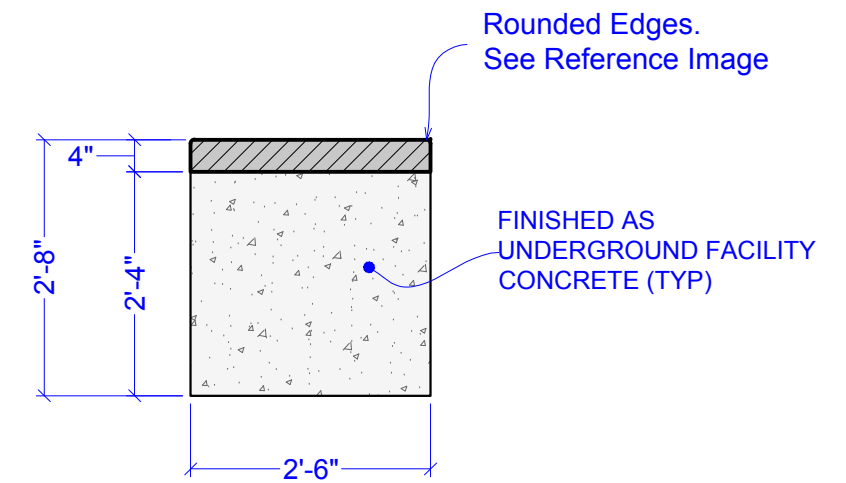
1 PLAN - TABLE
SCALE: 1/2"=1'-0"



REFERENCE IMAGE
SCALE: NOT TO SCALE



2 ELEVATION - TABLE
SCALE: 1/2"=1'-0"



3 SECTION - TABLE
SCALE: 1/2"=1'-0"

RELEASED
06-12-2024

6/12/2024 3:54:04 PM

DRAWN BY: C. FRANK		PRODUCTION DESIGNER: BRET TANZER	SET NAME: INT. FORT JEROME FACILITY & LAB - REC ROOM	SHOOT DATE: 06-21-2024	EPISODE: 207	DRAWING # 3.1
REVISIONS BY: ---		ART DIRECTOR: MARISSA KOTSILIMBAS	LOCATION ADDRESS: STAGE A - BROADWAY STAGES	SCALE: 1/2" = 1'-0" SCALE	SET # 10096	
		SET DECORATOR: LAUREN CRAWFORD				